


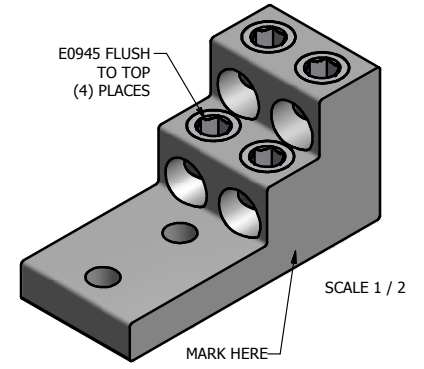
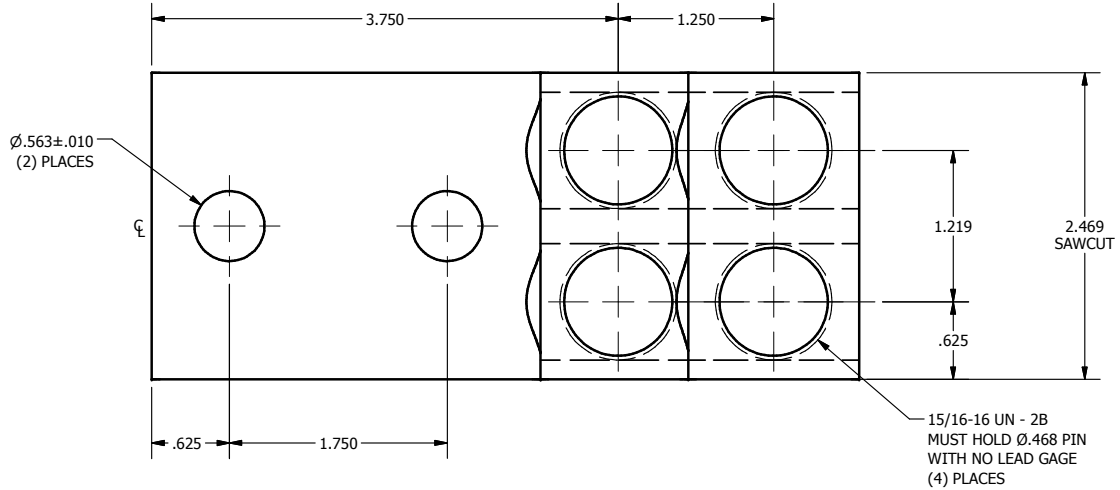


SCREW: E0945	MATERIAL: ALUMINUM, X0533	CELL: AMP	TOLERANCES-UNLESS OTHERWISE SPECIFIED 2 PL. DEC. ±.015 TRUE CL. ±.015 3 PL. DEC. ±.015 ANGLES ±1	DWG. NO. D3557-22	
CAT. NO.: PB4-600-2N	PLATING: EL-TIN	STUFFER SHT.: FORM 1	DRAWN BY: CLH	SHEET 1 OF 1	
MASS: 1.425 LBS.	MARKING: ILSCO, D3557, PB4-600-2N, 600MCM-2, AL9CU,  	DATE: 3/20/2008	SCALE: 1:1	SIZE: B	
SURFACE AREA: 82.405 IN <sup>2</sup>					

REV.	DESCRIPTION
J	

Cat #: PB4-600-2N



15/16-16 UN - 2B  
MUST HOLD  $\varnothing .468$  PIN  
WITH NO LEAD GAGE  
(4 PLACES)

