

Disconnect Switches

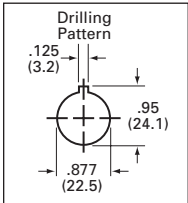
Compact Non-Fusible — Rotary

Dimensions

Dimension Drawings and Wire Ranges

Wire Ranges 60/75°C Cu only

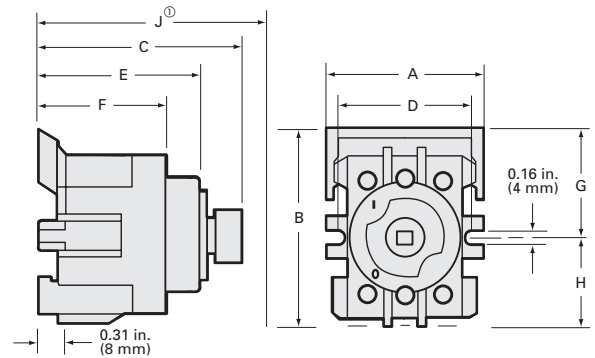
16A, 3LD20	(1) #18-10 AWG
25A, 3LD21	(1) #14-8 AWG
32A, 3LD22	(1) #14-8 AWG
63A, 3LD25	(1) #14-6 AWG
100, 125A, 3LD2	(1) #12-1 AWG
160, 250A, 3LD2	(1) #1-400 MCM



**Shaft Mounted
3LD2 Handle Cutout
(4-hole pattern)**

Dimension J Minimum Depth^①

Switch	Dimension J
3LD2 25 & 32A Front Shaft Mounted	3.07 (78)
3LD2 63 Front Shaft Mounted	3.35 (85)
3LD2 16-32A Front 4-hole Mounted	2.13 (54)
3LD2 63A Front 4-hole Mounted	2.48 (63)
3LD2 100 & 125A Front 4-hole Mounted	2.56 (65)
3LD2 25 & 32A Base w/shaft Mtg. Handle	6.46 (164)
3LD2 63A Base w/shaft Mtg. Handle	6.77 (172)
3LD2 16-32A Base w/4-hole Mtg. Handle	5.59 (142)
3LD2 63A Base w/4-hole Mtg. Handle	5.99 (152)
3LD2 100-250A Base w/4-hole Mtg. Handle	6.07 (154)



Switch Type	Switch Catalog Number	Dimensions Inches (mm)							
		A	B	C	D	E	F	G	H
Rotary Front Mtg.	3LD20 ^②	1.89 (48)	1.97 (50)	1.97 (50)	—	—	—	—	—
Rotary Front Mtg.	3LD21 & 2 ^②	1.81 (46)	2.17 (55)	1.97 (50)	—	—	—	—	—
Rotary Front Mtg.	3LD25 ^②	2.36 (60)	2.52 (64)	2.32 (59)	—	—	—	—	—
Rotary Front Mtg.	3LD27 & 8 ^②	2.40 (61)	3.27 (83)	2.40 (61)	—	—	—	—	—
Rotary Base Mtg.	3LD20 ^②	1.89 (48)	1.97 (50)	2.29 (58)	—	—	—	—	—
Rotary Base Mtg.	3LD21 & 2 ^②	1.81 (46)	2.17 (55)	2.29 (58)	—	—	—	—	—
Rotary Base Mtg.	3LD25 ^②	2.36 (60)	2.52 (64)	2.68 (68)	—	—	—	—	—
Rotary Base Mtg.	3LD27 & 8 ^②	2.80 (71)	3.27 (83)	2.76 (70)	—	—	—	—	—
Rotary Base Mtg.	3LD23 & 4	4.41 (112)	5.83 (148)	4.10 (104)	—	—	—	—	—

^①Depth from outside of cover to back of switch.

^②Handle front plate dimensions:
3LD 16-32A—2.64 inches square
3LD 63-125—3.55 inches square