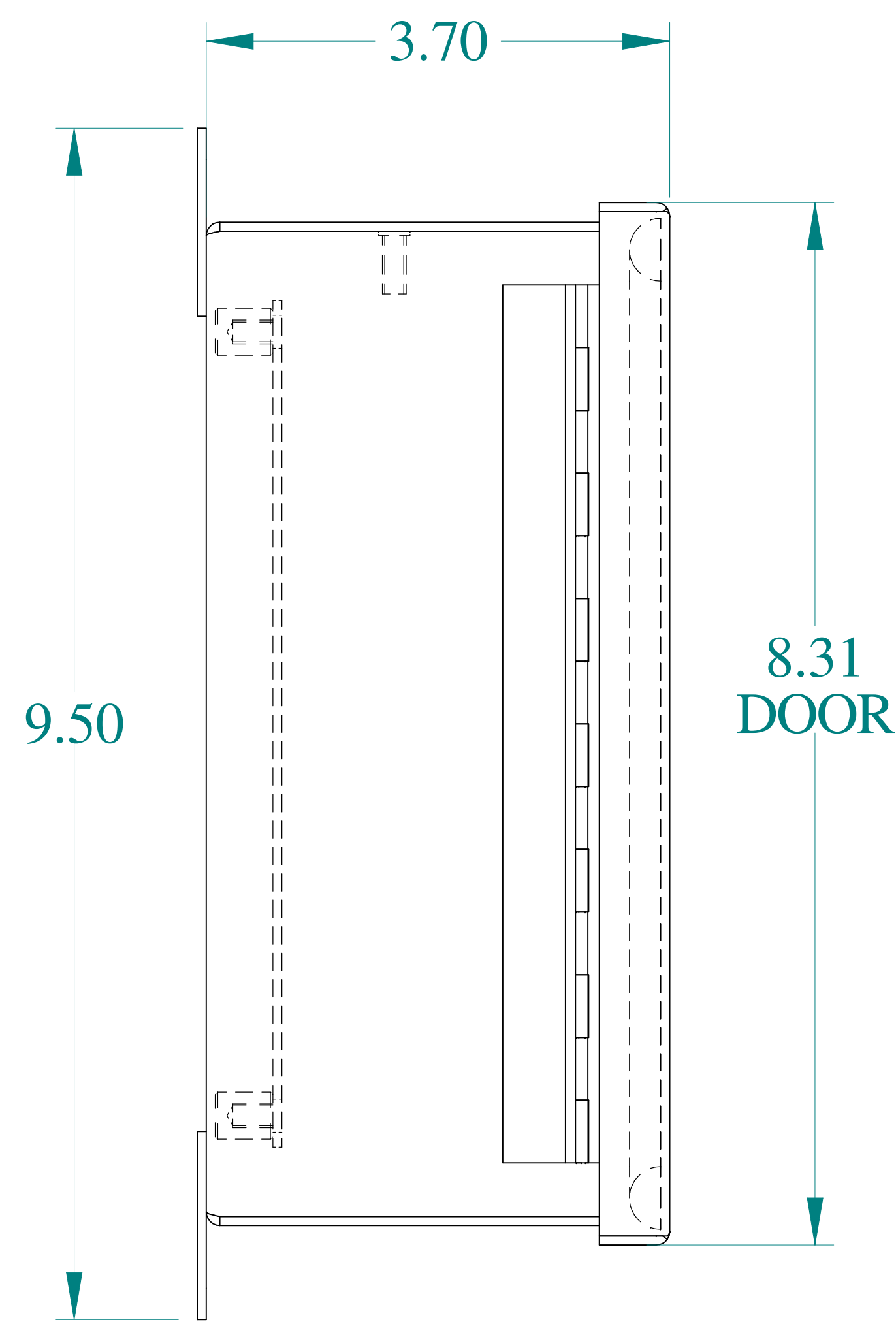
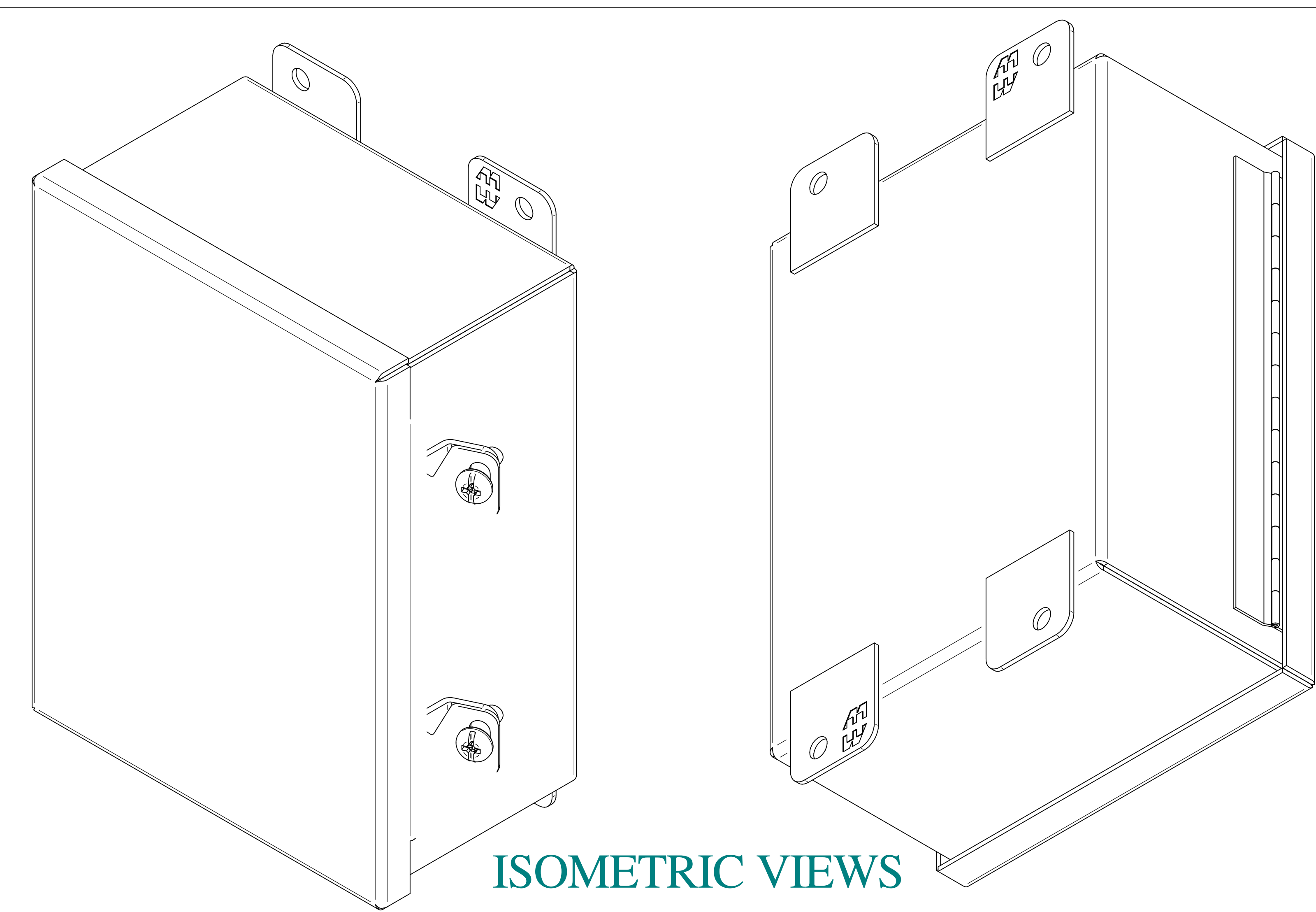
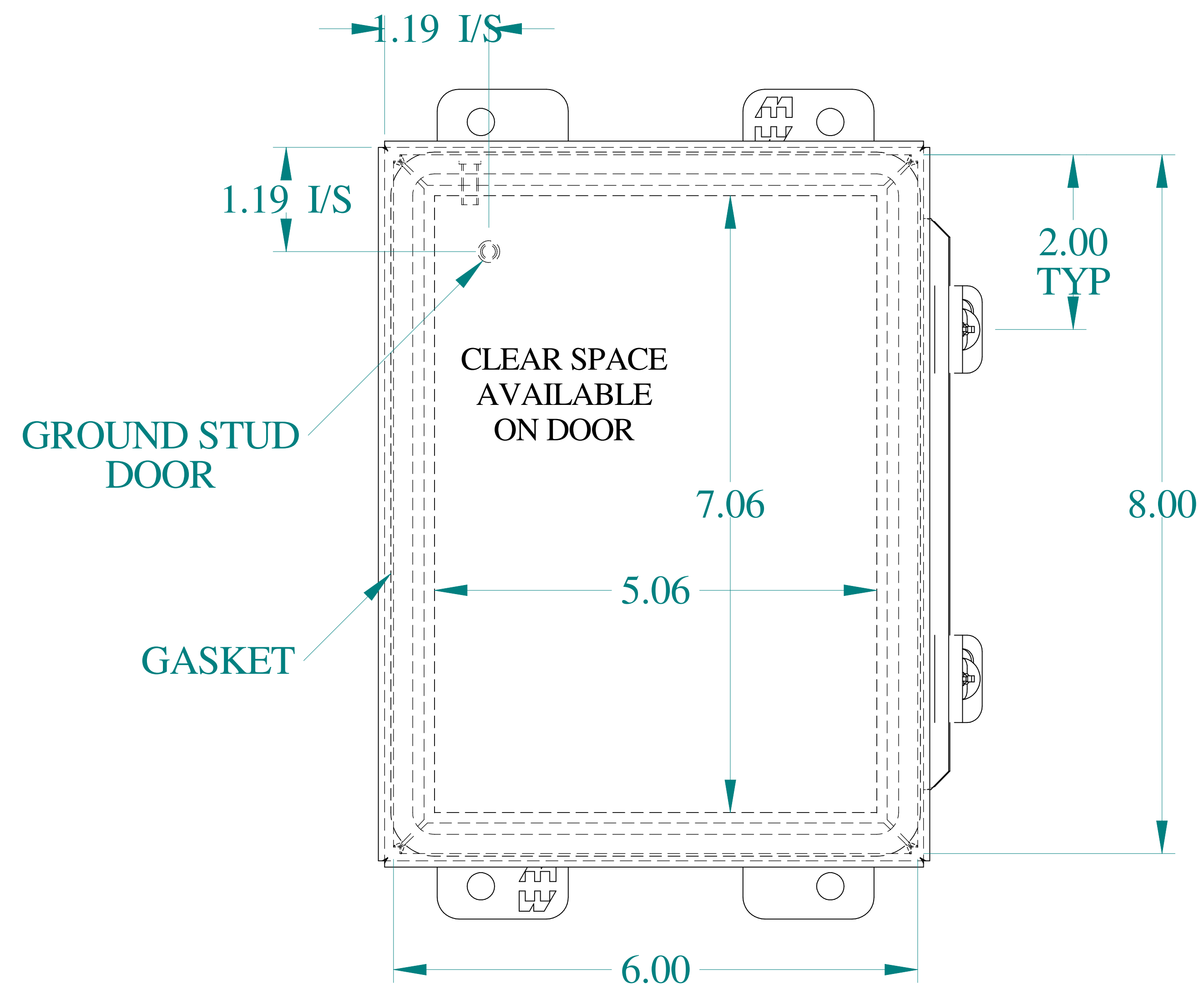


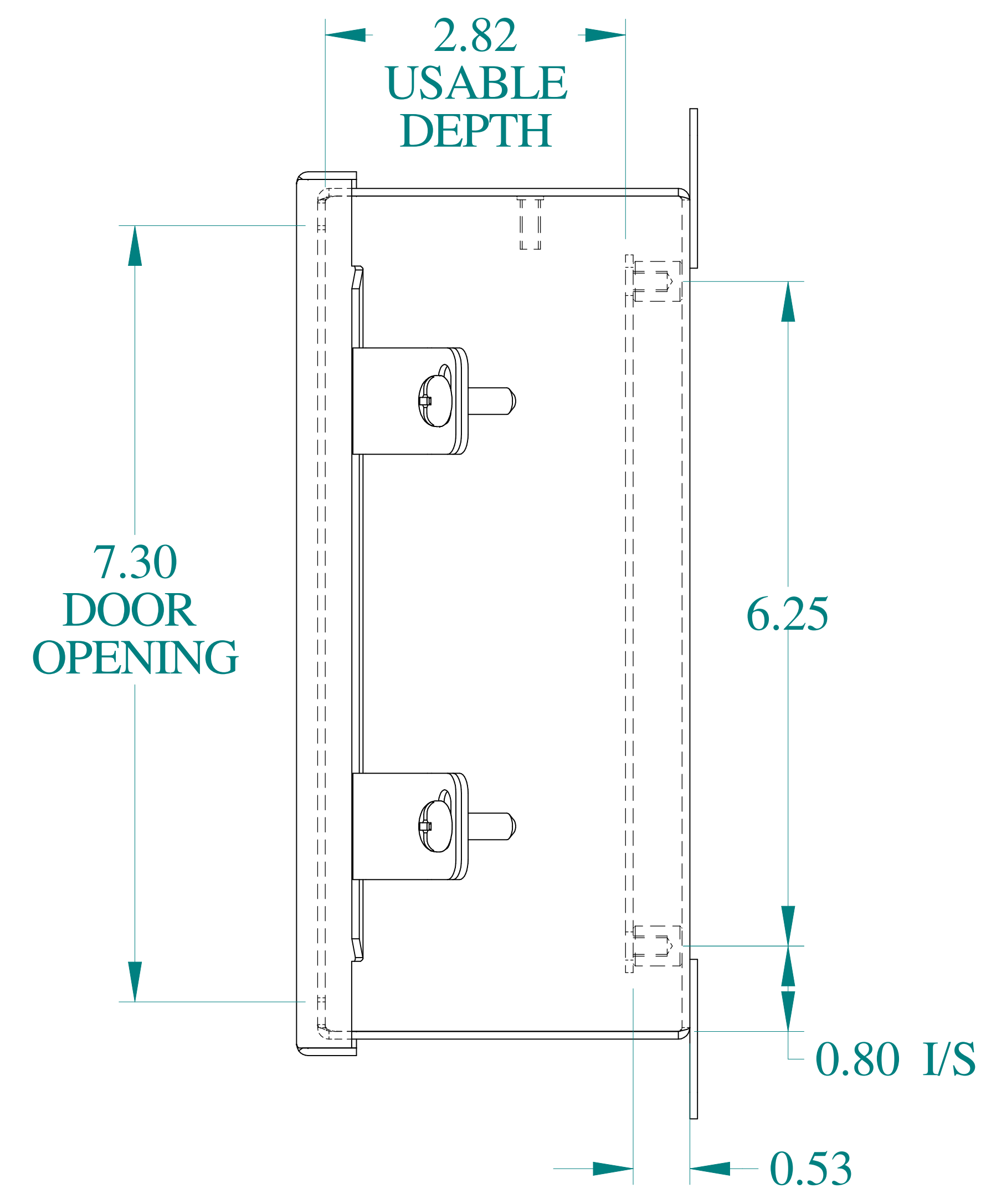
TOP VIEW



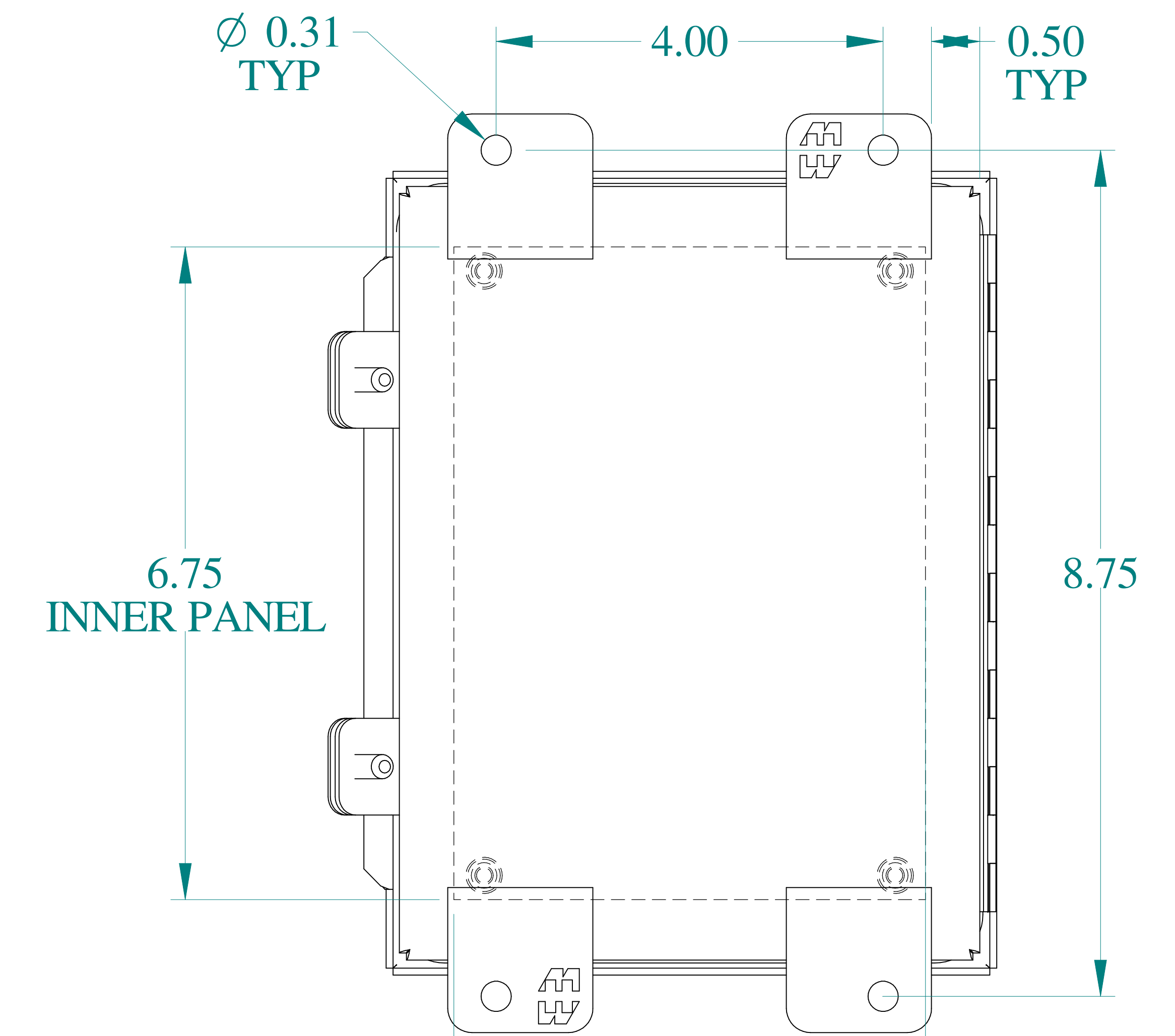
SIDE VIEW



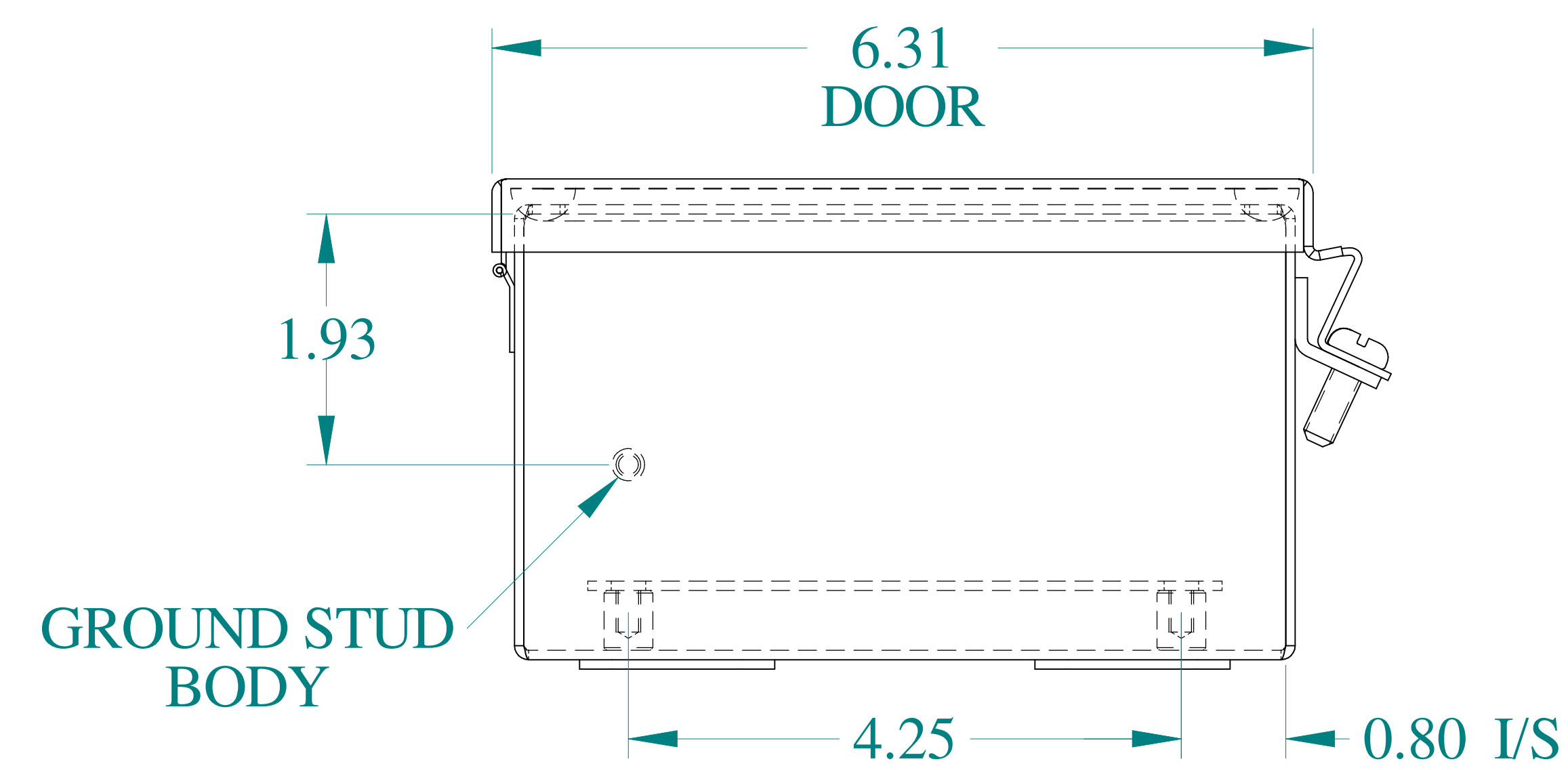
FRONT VIEW



SIDE VIEW



BACK VIEW



BOTTOM VIEW

**HAMMOND  
MANUFACTURING®**

www.hammondmfg.com

Data subject to change without notice.

Part #: 1414N4PHSSG    Date: Mar. 25, 2019

Link: [www.hammg.com/1414N4PHSSG](http://www.hammg.com/1414N4PHSSG)