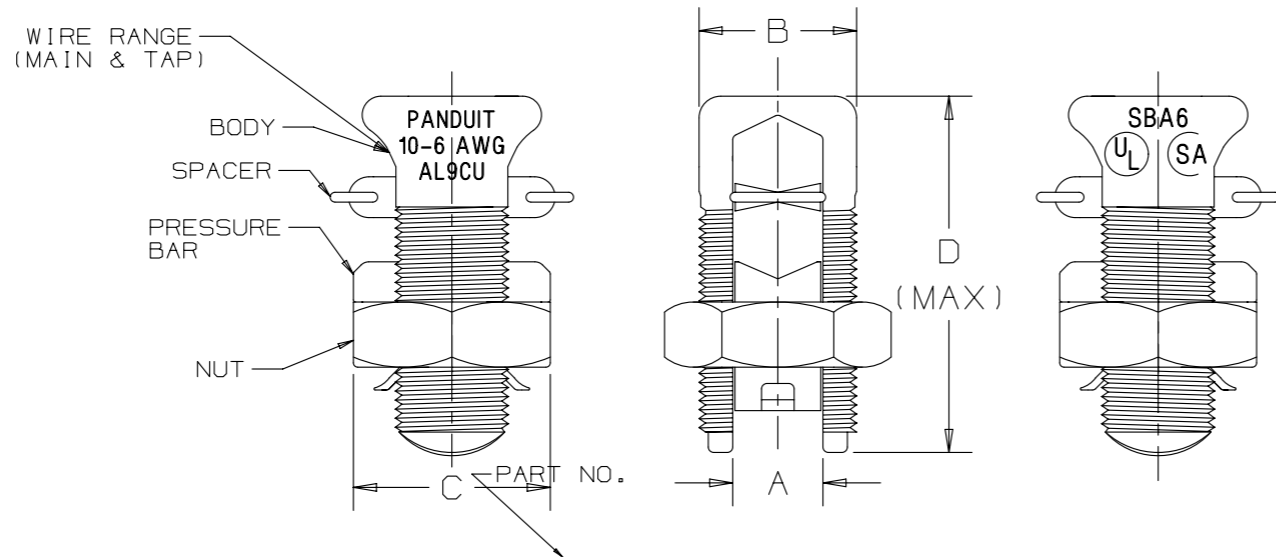


THIS COPY IS PROVIDED ON A RESTRICTED BASIS AND IS NOT TO BE USED IN ANY WAY DETRIMENTAL TO THE INTERESTS OF PANDUIT CORP.

PART NUMBER	WIDTH "A"	BODY WIDTH "B"	NUT HEX "C"	LENGTH "D"	THREAD	TIGHTENING TORQUE IN-LB
SBA6	.204	.56	.75	1.58	9/16"-18UNF	165
SBA4	.258	.62	.81	1.38	5/8"-18UNF	165
SBA2	.323	.69	.94	1.58	11/16"-16UN	275
SBA1/0	.385	.75	1.00	1.92	3/4"-16UNF	385
SBA2/0	.435	.88	1.12	1.92	7/8"-14UNF	385
SBA4/0	.544	1.13	1.49	2.54	1 3/16"-12UN	500

PART NUMBER	ALUM. TO ALUM., ALUM TO COPPER, COPPER TO COPPER CONDUCTORS					
	MAX. RUN TO MAX. TAP		MIN. RUN TO MIN. TAP		MAX. RUN TO MIN. TAP	
SBA6	#6 STR(.184)	#6 STR(.184)	#10 SOL(.102)	#10 SOL(.102)	#6 STR(.184)	#10 SOL(.102)
SBA4	#4 STR(.232)	#4 STR(.232)	#8 SOL(.129)	#10 SOL(.102)	#4 STR(.232)	#10 SOL(.102)
SBA2	#2 STR(.292)	#2 STR(.292)	#6 SOL(.169)	#8 STR(.146)	#2 STR(.292)	#8 STR(.146)
SBA1/0	#1/0 STR(.373)	#1/0 STR(.373)	#2 STR(.268) (COMPACT)	#8 SOL(.129)	#1/0 STR(.373)	#8 SOL(.129)
SBA2/0	#2/0 STR(.418)	#2/0 STR(.418)	#2 STR(.268) (COMPACT)	#8 STR(.146)	#2/0 STR(.418)	#8 STR(.146)
SBA4/0	#4/0 STR(.528)	#4/0 STR(.528)	#2 STR(.268) (COMPACT)	#6 STR(.184)	#4/0 STR(.528)	#6 STR(.184)



NOTES:

1. ALL SPLIT BOLT COMPONENTS ARE ALUMINUM ALLOY MATERIAL.
2. SPLIT BOLT BODY, SPACER AND PRESSURE BAR ARE ELECTRO TIN PLATED.
4. U/L LISTED PER UL486B- 90°C RATED. C.S.A. CERTIFIED
5. FOR INSTALLATION OF 90° C MAX RATED CONDUCTORS IN NEC APPLICATIONS THERE IS NO NEED TO SCRATCH BRUSH AND NO NEED TO USE OXIDE INHIBITING COMPOUND. FOR ALL OTHER APPLICATIONS OXIDE INHIBITING COMPOUND IS RECOMENDED.
6. RATED FOR ALUMINUM TO ALUMINUM, ALUMINUM TO COPPER AND COPPER TO COPPER CONDUCTORS.

D101000B/12

						TITLE ALUMINUM SPLIT BOLT CONNECTORS #6 AWG THRU 4/0 AWG CUSTOMER DRAWING	
						ITEM REVISION NAME N41298BA/01	
						DATASET FILE NAME N41298BA/01	
						UNLESS OTHERWISE SPECIFIED, DIMENSIONAL TOLERANCES ARE: IN [mm]	
						.X ± .XXX ± .XX ± .02 ANGLES ±	
						THIRD ANGLE PROJECTION	
						DRAWING NUMBER: C41298	
						MATERIAL: SEE NOTES	
01	2/13	JHNU	JHNU	RGB	REVISED TITLE BLOCK, REVISED DWG SIZE TO B	N41298BA -C41298	
00	1/01	EJS			RELEASED		
REV	DATE	BY	CHK	APR	DESCRIPTION	ECN	
EJS							
						SCALE NONE	
						SHT 1 OF 1	
						SIZE B	