

## BE2 Series

200 A (Main Lugs) 600 V; Multiple Position – Horizontal 100 A per Position

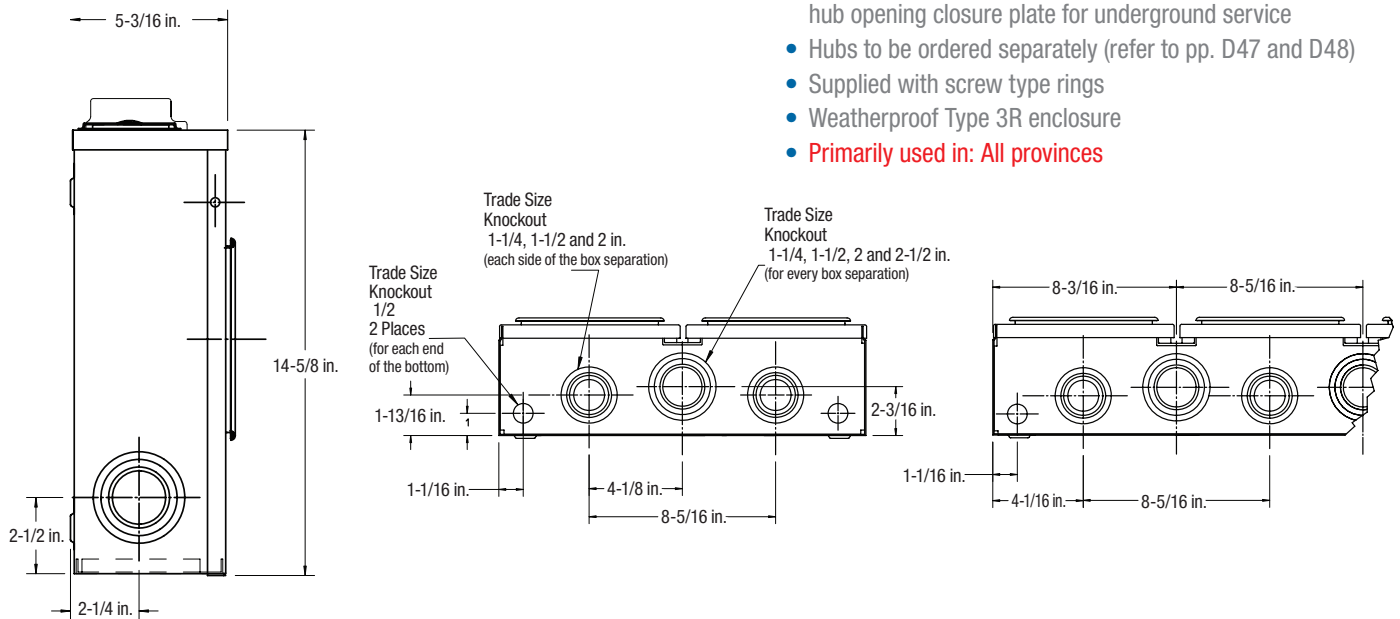



(BE6-V)

NOTE: Supply from an underground network often requires use of stud type connector. Consult your local utility.

### Product Specifications

- Conductor range: Line: 6 AWG-250 kcmil, Load: 6-1/0 AWG
- Aluminum tunnel type connectors for both line and load sides
- Factory prebussed from main lugs to each position
- Combination overhead-underground supplied with hub opening closure plate for underground service
- Hubs to be ordered separately (refer to pp. D47 and D48)
- Supplied with screw type rings
- Weatherproof Type 3R enclosure
- **Primarily used in: All provinces**



 Approved for copper or aluminum

Cat. No.	Meter Position	Dimensions (in.)			Weight Each	
		H	W	D	lb.	kg
<b>4 JAW</b>						
<b>LEFT-HAND ENTRY</b>	<b>RIGHT-HAND ENTRY</b>					
BE2-V	BE2-VH	2 position	16-1/2	5-3/16	18	8.1
BE3-V	BE3-VH	3 position	24-13/16	5-3/16	26	11.8
BE4-V	BE4-VH	4 position	33-1/8	5-3/16	34	15.4
BE5-V	BE5-VH	5 position	41-7/16	5-3/16	42	19.0
BE6-V	BE6-VH	6 position	49-3/4	5-3/16	50	22.7
<b>FACTORY-INSTALLED ACCESSORIES</b>						
<b>Include:</b>	<b>-5</b>	5 <sup>th</sup> jaw, standard capacity, 9 o'clock position				



(BEC2-V)

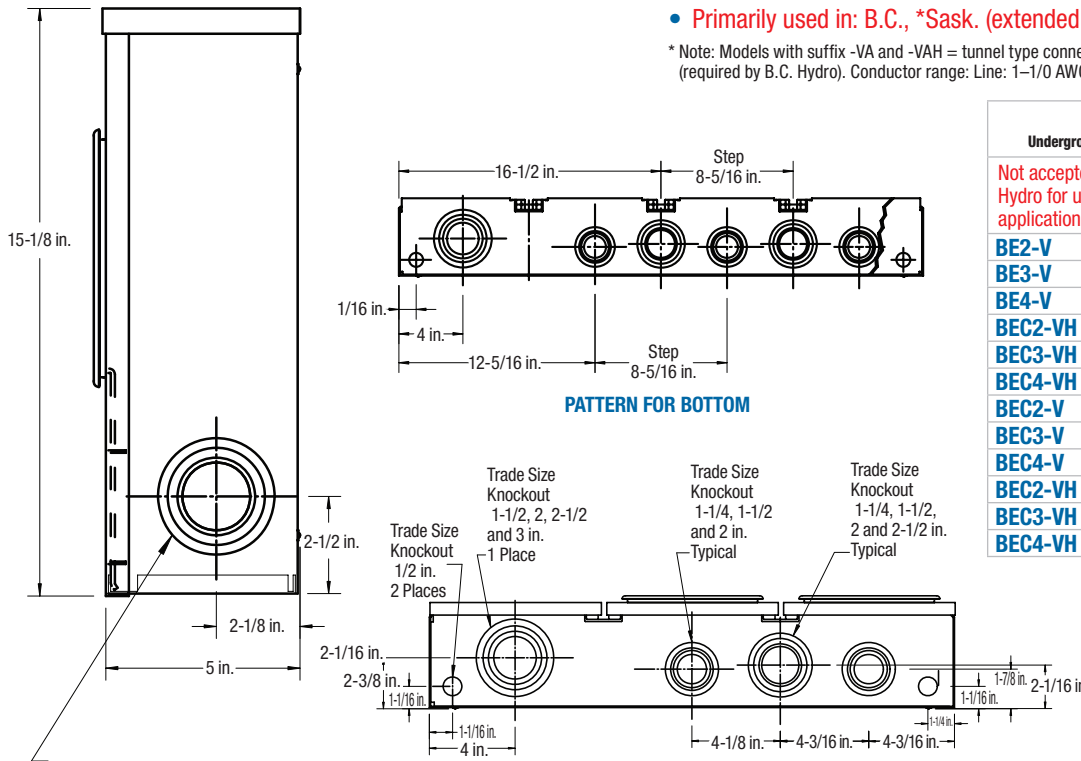
## BEC Series

**200 A (Main Lugs) 600 V; Multiple Position – 100 A per Position Stud Type**

### Product Specifications

- Conductor range: Line: 1/2 in. studs supplied, Load: 6-1/0 AWG
- Aluminum tunnel type connectors load side; stud 1/2 in. line side
- For underground service only
- Factory prebussed from main lugs to each position
- Supplied with screw type rings
- Weatherproof Type 3R enclosure
- **Primarily used in: B.C., \*Sask. (extended enclosure), Man., Ont., Que.**

\* Note: Models with suffix -VA and -VAH = tunnel type connectors on line side provided instead of studs (required by B.C. Hydro). Conductor range: Line: 1-1/0 AWG, Load: 6-1/0 AWG.



Cross Reference	
Underground meter required by BC Hydro Standard	
Not accepted by BC Hydro for underground application	Required by BC Hydro for underground applications
BEC2-V	BEC2-VA
BEC3-V	BEC3-VA
BEC4-V	BEC4-VA
BEC2-VH	BEC2-VAH
BEC3-VH	BEC3-VAH
BEC4-VH	BEC4-VAH
BEC2-V	BEC2-VA
BEC3-V	BEC3-VA
BEC4-V	BEC4-VA
BEC2-VH	BEC2-VAH
BEC3-VH	BEC3-VAH
BEC4-VH	BEC4-VAH



Cat. No.	Meter Position		Dimensions (in.)			Weight Each		
			H	W	D	lb.	kg	
<b>4 JAW</b>								
<b>LEFT-HAND ENTRY</b>	<b>RIGHT-HAND ENTRY</b>							
BEC2-V	BEC2-VH							
BEC2-VA*	BEC2-VAH		2 position					
BEC2-VE*	BEC2-VEH		2 position c/w connector (tunnel type)	15-1/8	24-3/16		27	12.2
BEC3-V	BEC3-VH		2 position extended enclosure	20-1/16				
BEC3-VA*	BEC3-VAH		3 position	15-1/8	33-1/8		35	15.9
BEC3-VE*	-		3 position c/w connector (tunnel type)	20-1/16		5		
BEC4-V	BEC4-VH		3 position extended enclosure					
BEC4-VA*	BEC4-VAH		4 position	15-1/8	41-7/16		43	19.5
BEC4-VE*	-		4 position c/w connector (tunnel type)	20-1/16				
BEC5-V	BEC5-VH		4 position extended enclosure					
BEC6-V	BEC6-VH		5 position	15-1/8	49-3/8		51	23.1
			6 position		57-5/8		59	26.8
<b>FACTORY INSTALLED ACCESSORIES</b>								
<b>Include:</b>	-5	5 <sup>th</sup> jaw, standard capacity, 9 o'clock position						