



RHB1R-LED150

LED Round Highbay



SPECIFICATIONS*

Watts	147.7
Lumens	19,609
Efficacy	132.7
Replaces Up To	400W MH
Colour Temp	4000K*, 5000K
Certification	ETL, IP65, DLC
Operating Temp	-40°C to +40°C
Voltage	120-277V*, 347V
LED Life	50,000 Hours
Housing Material	Cast Aluminum
Lens Material	Polycarbonate
Finish	Black
Total Harmonic Distortion	14.3%
Power Factor	>0.9
Mounting Options	Pendant Mount, Suspended Mount
Weight	6.8 lbs
CRI	>70

*Standard



DESCRIPTION

Ruggedly designed highbay fixture series with high efficacy and easy installation features, the RHB1R-LED Series is ideal for industrial, manufacturing, factory environments.

APPLICATIONS



Warehouses



Manufacturing



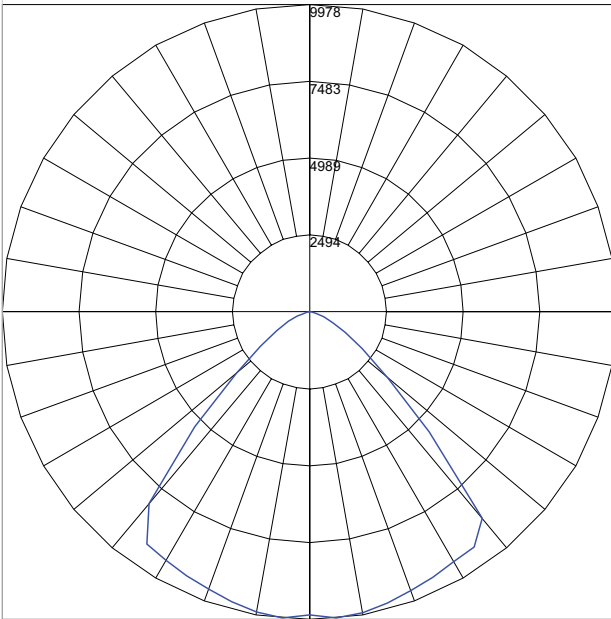
Factories

FEATURES

- Die cast aluminum housing, polycarbonate lens and polyester powder coat finish
- Ideal replacement for traditional highbays: RHB1R-LED150 replaces 400W MH.
- 2mt cord and mounting hook included with fixture for easy installation
- 4kV surge suppression is standard with 120-277V unit, 6kV surge suppression is standard with 347V unit,
- High efficacy at approximately 135 lumens/watt.

CANDELA PLOTS

POLAR GRAPH



Maximum Candela = 9977.598 Located At Horizontal Angle = 270, Vertical Angle = 5
Vertical Plane Through Horizontal Angles (270 - 90) (Through Max. Cd.)

COEFFICIENTS OF UTILIZATION - ZONAL CAVITY METHOD

Effective Floor Cavity Reflectance 0.20

RC	80				70				50				30				10				0
RW	70	50	30	10	70	50	30	10	50	30	10	50	30	10	50	30	10	50	30	10	0
0	119	119	119	119	116	116	116	116	111	111	111	106	106	106	102	102	102	100	100	100	100
1	111	108	105	102	109	106	103	100	101	99	97	98	96	94	94	93	91	89	88	87	89
2	104	97	92	87	101	95	90	86	92	88	84	89	85	82	86	83	80	79	78	77	79
3	96	87	81	76	94	86	80	75	83	78	74	80	76	72	78	74	71	69	68	67	69
4	89	79	72	66	87	78	71	66	75	69	65	73	68	64	71	67	63	61	60	59	61
5	83	72	64	58	81	71	63	58	69	62	57	67	61	57	65	60	56	54	53	52	54
6	77	65	58	52	75	64	57	52	63	56	51	61	55	51	60	54	50	49	48	47	49
7	72	60	52	47	70	59	52	46	58	51	46	56	50	46	55	50	45	44	43	42	44
8	67	55	47	42	66	54	47	42	53	46	42	52	46	41	51	45	41	39	38	37	39
9	63	51	43	38	61	50	43	38	49	42	38	48	42	38	47	41	37	36	35	34	36
10	59	47	40	35	58	46	39	35	45	39	35	44	39	34	44	38	34	33	32	31	33

ZONAL LUMEN SUMMARY

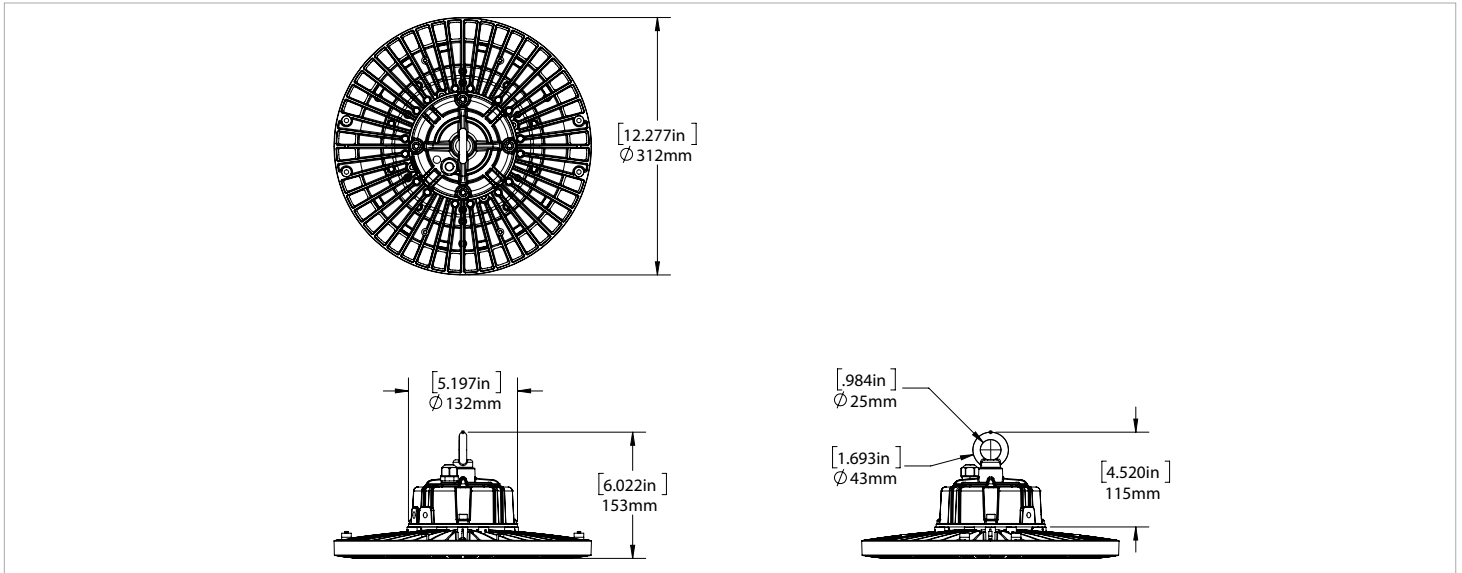
Zone	Lumens	%Lamp	%Fixt
0-20	3640.73	17.30	17.30
0-30	7939.04	37.70	37.70
0-40	13480.65	64.00	64.00
0-60	19778.79	94.00	94.00
0-80	20972.81	99.60	99.60
0-90	21011.93	99.80	99.80
10-90	20080.27	95.40	95.40
20-40	9839.91	46.80	46.80
20-50	14074.41	66.90	66.90
40-70	7206.22	34.20	34.20
60-80	1194.03	5.70	5.70
70-80	285.95	1.40	1.40
80-90	39.11	0.20	0.20
90-110	3.66	0.00	0.00
90-120	6.89	0.00	0.00
90-130	11.94	0.10	0.10
90-150	25.11	0.10	0.10
90-180	35.72	0.20	0.20
110-180	32.07	0.20	0.20
0-180	21047.65	100.00	100.00

Total Luminaire Efficiency = 100.00%

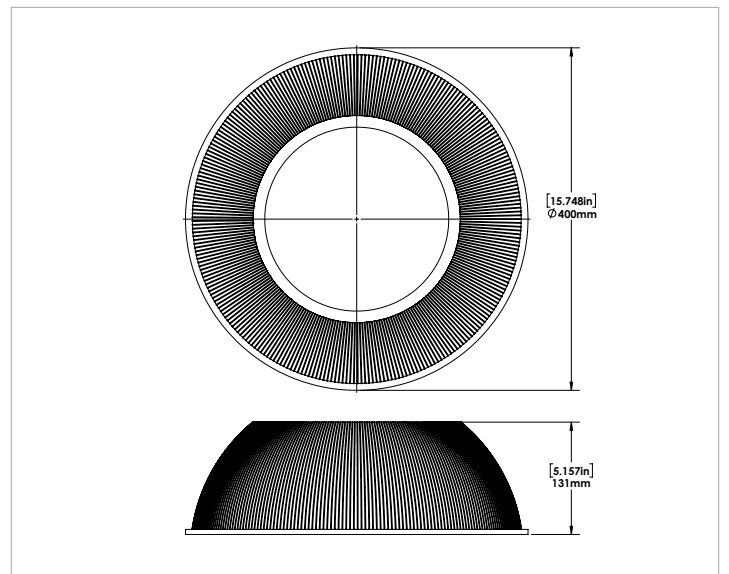
ZONAL LUMEN SUMMARY

Zone	Lumens
0-10	931.66
10-20	2709.07
20-30	4298.31
30-40	5541.61
40-50	4234.5
50-60	2063.64
60-70	908.08
70-80	285.95
80-90	39.11
90-100	1.68
100-110	1.97
110-120	3.23
120-130	5.05
130-140	6.40
140-150	6.78
150-160	5.78
160-170	3.62
170-180	1.22

DIMENSIONS



ACCESSORIES



OTHER MODEL SPECIFICATIONS

MODEL DESCRIPTION	VOLTAGE (V)	INPUT POWER (W)	LIGHT OUTPUT	EFFICACY (Lm/W)	THD	PF	CCT(K)	CRI
RHB1R-LED150-B-4K-XXX	120-277V	147.7	19609	132.7	14.3	0.926	4000	71.8
RHB1R-LED150-B-5K-XXX	120-277V	147.9	20467	138.3	14.3	0.926	4950	74.4
RHB1R-LED150-C-4K-XXX	347V	145.64	19239	132.1	13.9	0.952	4000	72
RHB1R-LED150-C-5K-XXX	347V	146.24	20108.1	137.5	13.9	0.952	4758	74.6

LEGEND

B - 120V-277V, C - 347V
 5K - 5000K, 4K - 4000K
 XXX - HOUSING FINISH

ORDERING GUIDE

RHB1R	LED150			
WATTS	VOLTAGE	COLOUR TEMP.	FINISH	
	B - 120-277V*	4K - 4000K*	BLK - BLACK	
	C - 347V	5K - 5000K		

*Standard

FIELD INSTALLED ACCESSORIES

CHECK THE ACCESSORIES YOU WISH TO ORDER:

Prismatic Lens