

## ID Switches

2 & 3 Pole, 30 Amp, Type 1 (Indoor)



30A ID Series  
Product  
Specification  
Sheet

### Features

- Designed for the Canadian construction market
- Suitable for use in a circuit that is rated for 200kA RMS – symmetrical and 600V maximum
- Continuous load 80% of fuse rating except for motor circuits
- CSA Certified under file #13076
- Compact size with integrated handle
- Type 1 enclosure for indoor applications
- Quick make-quick break mechanism
- Padlock-off handle feature
- Door padlock provision
- Use C.S.A certified, H.R.C. fuses. Form I (Class J, R or H) and Form II fuses if the accepted adaptor kits are provided
- Fuse puller included
- Manufactured in Canada for quick delivery and easy access to replacement parts

### General information<sup>1</sup>

Part number	Max. Voltage	Description	Unit weight – lbs (kg)
ID221 <sup>2</sup>	240V AC	2 Pole, 3 Wire, Fusible with neutral	12.78 (5.81)
ID321	240V AC	3 Pole, 3 Wire, Fusible	12.61 (5.72)
ID421 <sup>2</sup>	240V AC	3 Pole, 4 Wire, Fusible with neutral	12.78 (5.81)
ID361	600V AC	3 Pole, 3 Wire, Fusible	12.61 (5.72)
ID361NF	600V AC	3 Pole, 3 Wire, Non-Fusible	12.18 (5.52)

### Maximum horsepower ratings<sup>4</sup>

	1-PH	3-PH
240V AC Max HP <sup>3</sup>	3	7.5
480V AC Max HP <sup>3</sup>	—	15
600V AC Max HP <sup>3</sup>	10	20

### Accessories

RFAK21	Type R fuse kit 240V (Order one per pole)
RFAK61	Type R fuse kit 600V (Order one per pole)
MSSAK116 <sup>4</sup>	Auxiliary contact kit, 1 NO + 1 NC (30–100A)
MSSAK216 <sup>4</sup>	Auxiliary contact kit, 2 NO + 2 NC (30–100A)
FP2	Fuse puller kit (Order one per 3-pole switch)
N60	Neutral kit (Order one per 3-pole switch)
CCSS1	Replacement cover catch kit (20 pieces per kit)
LSK1	Replacement line shield kit (three pieces per kit)

### Lug size data

Amp rating	Lugs/Pole	Wire range; Copper or Aluminium	
		Line and load	Neutral
30	1	#14 -2 AWG	#14 -4 AWG

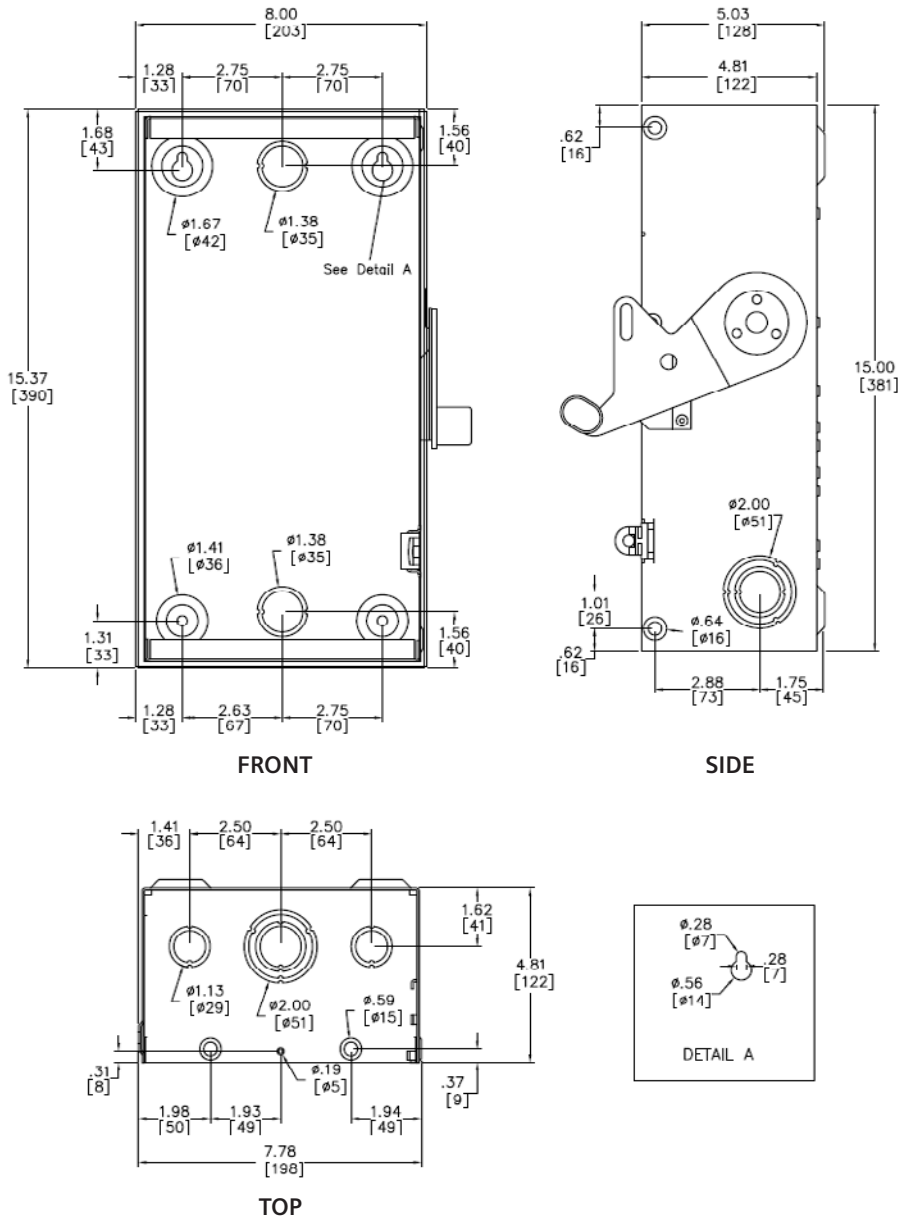
<sup>1</sup> Not suitable for direct current systems

<sup>2</sup> Suitable for use as service equipment

<sup>3</sup> At maximum HP rating, time delay type fuses may be required for starting purpose

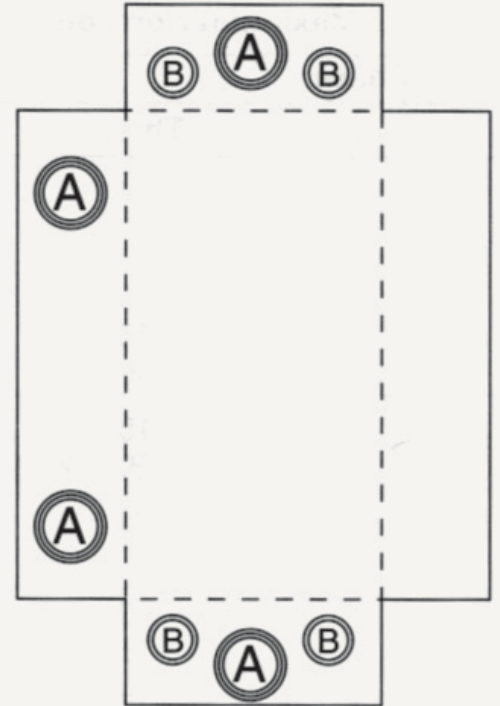
<sup>4</sup> Not applicable to switches suitable for use as service equipment

## Dimension drawings – units: inches [mm]



## Knock-out diagram

30 Amp Enclosure, Type ID



## K.O.'s trade size

A =  $\frac{3}{4}$ ", 1", 1  $\frac{1}{4}$ ", 1  $\frac{1}{2}$ "  
 B =  $\frac{1}{2}$ ",  $\frac{3}{4}$ "

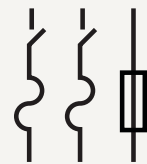
## Wiring diagrams



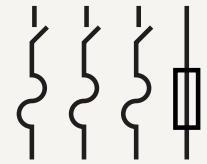
ID321 / ID361



ID361NF



ID221



ID421

Siemens Canada Limited  
 Electrical Products  
 1577 North Service Road East  
 Oakville, ON L6H0H6

Published by  
 Siemens Canada Limited 2021  
 © Siemens Canada Limited, 2021  
 Order no. SI-EP-1726

Subject to change without prior notice.

Customer Interaction Centre  
 Tel: 1 (888) 303-3353  
 cic.ca@siemens.com

The information provided in this flyer contains merely general descriptions or characteristics of performance which in case of actual use do not always apply as described or which may change as a result of further development of the products. An obligation to provide the respective characteristics shall only exist if expressly agreed in the terms of contract.

All product designations may be trademarks or product names of Siemens AG or supplier companies whose use by third parties for their own purposes could violate the rights of the owners.

## ID Switches

2 & 3 Pole, 60 Amp, Type 1 (Indoor)

60A ID Series  
Product  
Specification  
Sheet



### Features

- Designed for the Canadian construction market
- Suitable for use in a circuit that is rated for 200kA RMS – symmetrical and 600V maximum
- Continuous load 80% of fuse rating except for motor circuits
- CSA Certified under file #13076
- Compact size with integrated handle
- Type 1 enclosure for indoor applications
- Quick make-quick break mechanism
- Padlock-off handle feature
- Door padlock provision
- Use C.S.A certified, H.R.C. fuses. Form I (Class J, R or H) and Form II fuses if the accepted adaptor kits are provided
- Fuse puller included
- Manufactured in Canada for quick delivery and easy access to replacement parts

### General information<sup>1</sup>

Part number	Max. voltage	Description	Unit weight – lbs (kg)
ID222 <sup>2</sup>	240V AC	2 Pole, 3 Wire, Fusible with neutral	12.78 (5.81)
ID322	240V AC	3 Pole, 3 Wire, Fusible	12.61 (5.72)
ID422 <sup>2</sup>	240V AC	3 Pole, 4 Wire, Fusible with neutral	12.78 (5.81)
ID362	600V AC	3 Pole, 3 Wire, Fusible	12.61 (5.72)
ID362NF	600V AC	3 Pole, 3 Wire, Non-Fusible	12.18 (5.52)

### Maximum horsepower ratings<sup>4</sup>

	1-PH	3-PH
240V AC Max HP <sup>3</sup>	10	15
480V AC Max HP <sup>3</sup>	—	30
600V AC Max HP <sup>3</sup>	25	50

### Accessories

RFAK22	Type R fuse kit 240V (Order one per pole)
RFAK62	Type R fuse kit 600V (Order one per pole)
MSSAK116 <sup>4</sup>	Auxiliary contact kit, 1 NO + 1 NC (30–100A)
MSSAK216 <sup>4</sup>	Auxiliary contact kit, 2 NO + 2 NC (30–100A)
FP2	Fuse puller kit (Order one per 3-pole switch)
N60	Neutral kit (Order one per 3-pole switch)
CCSS1	Replacement cover catch kit (20 pieces per kit)
LSK1	Replacement line shield kit (three pieces per kit)

### Lug Size Data

Amp rating	Lugs/Pole	Wire range; Copper or Aluminium	
		Line and load	Neutral
60	1	#14 -2 AWG	#14 -4 AWG

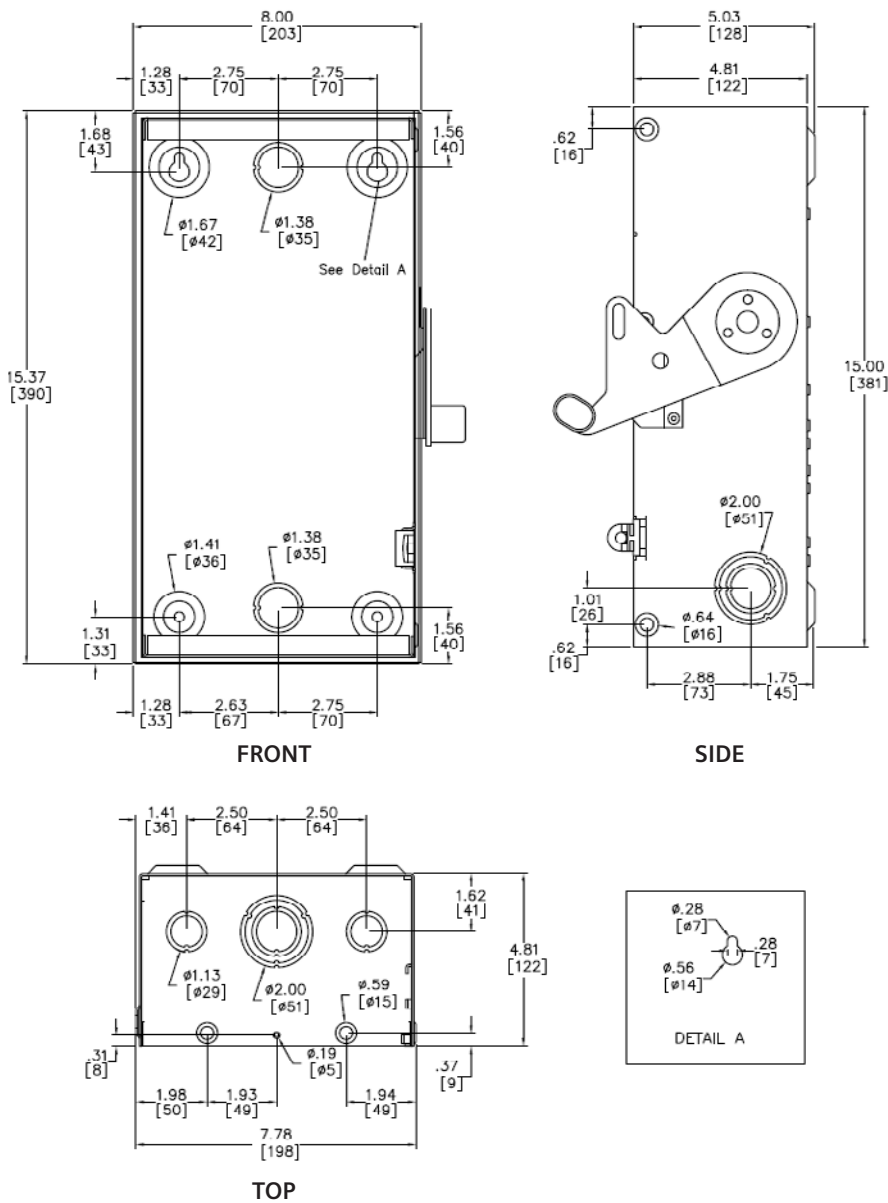
<sup>1</sup> Not suitable for direct current systems

<sup>2</sup> Suitable for use as service equipment

<sup>3</sup> At maximum HP rating, time delay type fuses may be required for starting purpose

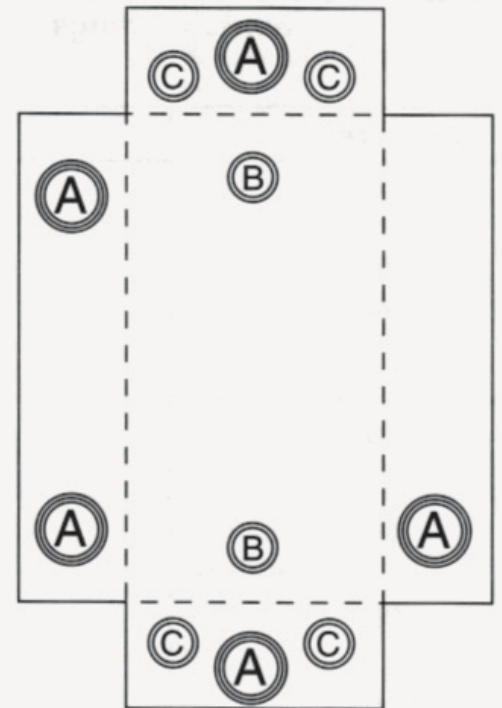
<sup>4</sup> Not applicable to switches suitable for use as service equipment

## Dimension drawings – units: inches [mm]



## Knock-out diagram

30–60 Amp Enclosure, Type ID



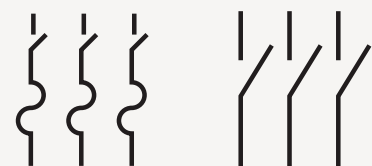
## K.O.'s trade size

A = 3/4", 1", 1 1/4", 1 1/2"

B = 3/4", 1"

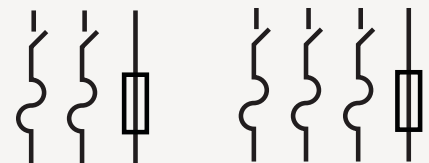
C = 1/2", 3/4"

## Wiring diagrams



ID322 / ID362

ID362NF



ID222

ID422

Siemens Canada Limited  
Electrical Products  
1577 North Service Road East  
Oakville, ON L6H0H6

Published by  
Siemens Canada Limited 2021  
© Siemens Canada Limited, 2021  
Order no. SI-EP-1727

Subject to change without prior notice.

Customer Interaction Centre  
Tel: 1 (888) 303-3353  
cic.ca@siemens.com

The information provided in this flyer contains merely general descriptions or characteristics of performance which in case of actual use do not always apply as described or which may change as a result of further development of the products. An obligation to provide the respective characteristics shall only exist if expressly agreed in the terms of contract.

All product designations may be trademarks or product names of Siemens AG or supplier companies whose use by third parties for their own purposes could violate the rights of the owners.

## ID Switches

### 2 & 3 Pole, 100 Amp, Type 1 (Indoor)

#### Features

- Designed for the Canadian construction market
- Suitable for use in a circuit that is rated for 200kA RMS – symmetrical and 600V maximum
- Continuous load 80% of fuse rating except for motor circuits
- CSA Certified under file #13076
- Compact size with integrated handle
- Type 1 enclosure for indoor applications
- Quick make-quick break mechanism
- Padlock-off handle feature
- Door padlock provision
- Fuse puller included
- Use C.S.A certified, H.R.C. fuses. Form I (Class J, R or H) and Form II fuses if the accepted adaptor kits are provided
- Manufactured in Canada for quick delivery and easy access to replacement parts

#### General information<sup>1</sup>

Part number	Max. voltage	Description	Unit weight – lbs (kg)
ID223 <sup>2</sup>	240V AC	2 Pole, 3 Wire, Fusible with neutral	17.45 (7.93)
ID323	240V AC	3 Pole, 3 Wire, Fusible	17.22 (7.81)
ID423 <sup>2</sup>	240V AC	3 Pole, 4 Wire, Fusible with neutral	17.45 (7.93)
ID363	600V AC	3 Pole, 3 Wire, Fusible	17.22 (7.81)
ID363NF	600V AC	3 Pole, 3 Wire, Non-Fusible	16.58 (7.52)

#### Maximum horsepower ratings<sup>4</sup>

	1-PH	3-PH
240V AC Max HP <sup>3</sup>	15	30
480V AC Max HP <sup>3</sup>	—	60
600V AC Max HP <sup>3</sup>	40	75

#### Accessories

RFAK3	Type R fuse kit (Order one per pole)
TFAK23	Type T fuse kit 240V (Order one per pole)
MSSAK116 <sup>4</sup>	Auxiliary contact kit, 1 NO + 1 NC (30–100A)
MSSAK216 <sup>4</sup>	Auxiliary contact kit, 2 NO + 2 NC (30–100A)
FP3	Fuse puller (Order one per 3-pole switch)
N100	Neutral kit (Order one per 3-pole switch)
CCSS1	Replacement cover catch kit (20 pieces per kit)
LSK 4	Replacement line shield kit (three pieces per kit)

#### Lug size data

Amp rating	Lugs/Pole	Wire range; Copper or Aluminium	
		Line and load	Neutral
100	1	Line: #6 - 250 MCM Load: #14 - 1/0 AWG	#14 - 2/0 AWG

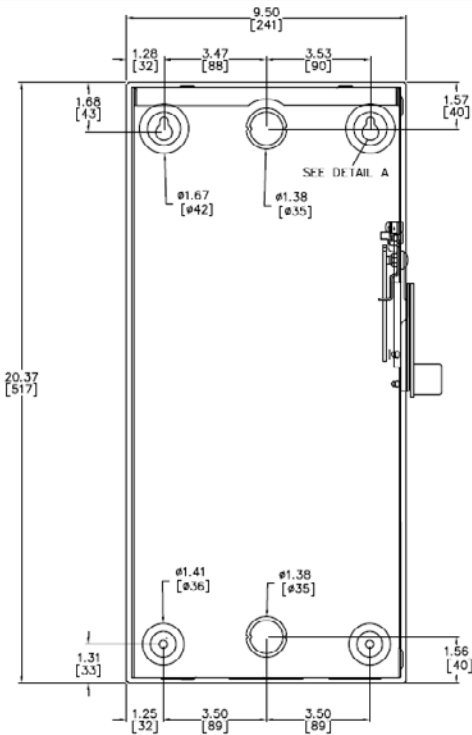
<sup>1</sup> Not suitable for direct current systems

<sup>2</sup> Suitable for use as service equipment

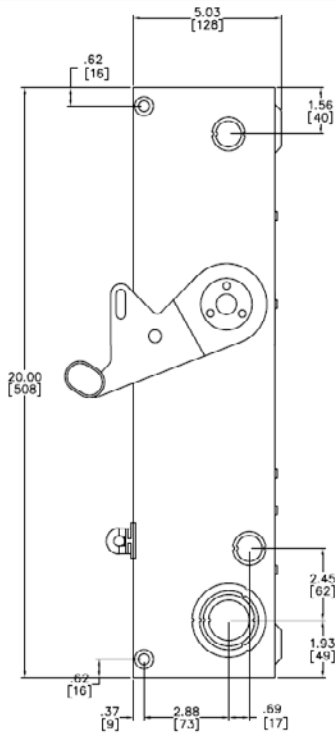
<sup>3</sup> At maximum HP rating, time delay type fuses may be required for starting purpose

<sup>4</sup> Not applicable to switches suitable for use as service equipment

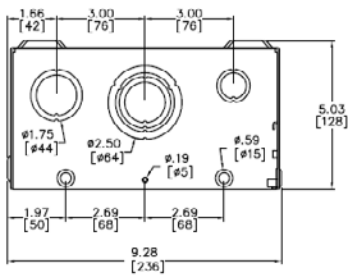
## Dimension drawings – units: inches [mm]



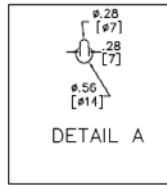
FRONT



SIDE



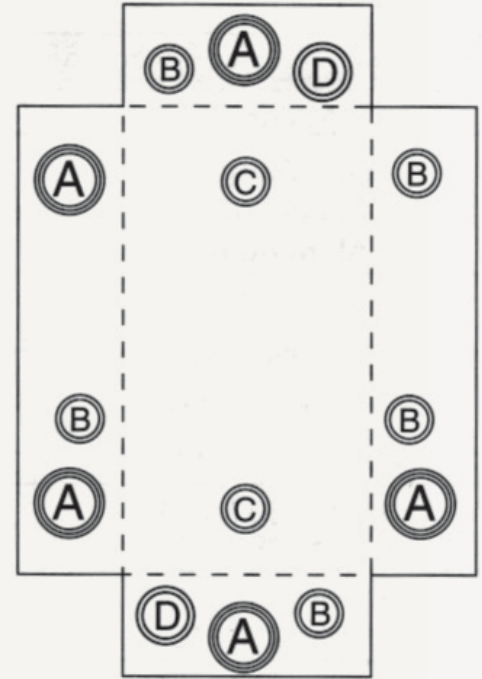
TOP



DETAIL A

## Knock-out diagram

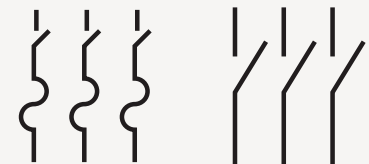
100 Amp Enclosure, Type ID



### K.O.'s trade size

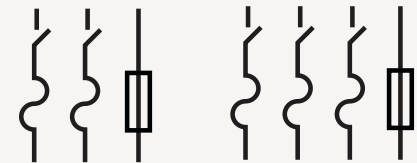
- A = 1", 1 1/4", 1 1/2", 2"
- B = 1/2", 3/4"
- C = 3/4", 1"
- D = 1", 1 1/4"

## Wiring diagrams



ID323 / ID363

ID363NF



ID223

ID423

Siemens Canada Limited  
Electrical Products  
1577 North Service Road East  
Oakville, ON L6H0H6

Published by  
Siemens Canada Limited 2021  
© Siemens Canada Limited, 2021  
Order no. SI-EP-1728

Subject to change without prior notice.

Customer Interaction Centre  
Tel: 1 (888) 303-3353  
cic.ca@siemens.com

The information provided in this flyer contains merely general descriptions or characteristics of performance which in case of actual use do not always apply as described or which may change as a result of further development of the products. An obligation to provide the respective characteristics shall only exist if expressly agreed in the terms of contract.

All product designations may be trademarks or product names of Siemens AG or supplier companies whose use by third parties for their own purposes could violate the rights of the owners.

## ID Switches

### 2 & 3 Pole, 200 Amp, Type 1 (Indoor)

#### Features

- Designed for the Canadian construction market
- Suitable for use in a circuit that is rated for 200kA RMS – symmetrical and 600V maximum
- Continuous load 80% of fuse rating except for motor circuits
- CSA Certified under file #13076
- Compact size with integrated handle
- Type 1 enclosure for indoor applications
- Quick make-quick break mechanism
- Padlock-off handle feature
- Fuse puller included
- Door padlock provision
- Use C.S.A certified, H.R.C. fuses. Form I (Class J, R or H) and Form II fuses if the accepted adaptor kits are provided
- Manufactured in Canada for quick delivery and easy access to replacement parts

#### General information<sup>1</sup>

Part number	Max. voltage	Description	Unit weight – lbs (kg)
ID224 <sup>2</sup>	240V AC	2 Pole, 3 Wire, Fusible with neutral	31.95 (14.52)
ID324	240V AC	3 Pole, 3 Wire, Fusible	31.52 (14.3)
ID424 <sup>2</sup>	240V AC	3 Pole, 4 Wire, Fusible with neutral	31.95 (14.52)
ID364	600V AC	3 Pole, 3 Wire, Fusible	31.52 (14.3)
ID364NF	600V AC	3 Pole, 3 Wire, Non-Fusible	29.64 (13.44)

#### Maximum horsepower ratings<sup>4</sup>

	1-PH	3-PH
240V AC Max HP <sup>3</sup>	15	60
480V AC Max HP <sup>3</sup>	—	125
600V AC Max HP <sup>3</sup>	50	150

#### Accessories

RFAK4	Type R fuse kit (Order one per pole)
TFAK24	Type T fuse kit 240V (Order one per pole)
TFAK64	Type T fuse kit 600V (Order one per pole)
MSSAK126 <sup>4</sup>	Auxiliary contact kit, 1 NO + 1 NC (30–100A)
MSSAK226 <sup>4</sup>	Auxiliary contact kit, 2 NO + 2 NC (30–100A)
FP4	Fuse puller (Order one per 3-pole switch)
N200	Neutral kit (Order one per 3-pole switch)
CCSS1	Replacement cover catch kit (20 pieces per kit)
LSK4	Replacement line shield kit (three pieces per kit)

#### Lug size data

Amp rating	Lugs/Pole	Wire range; Copper or Aluminium	
		Line and load	Neutral
200	1	#6 - 250 MCM	#6 - 300 MCM

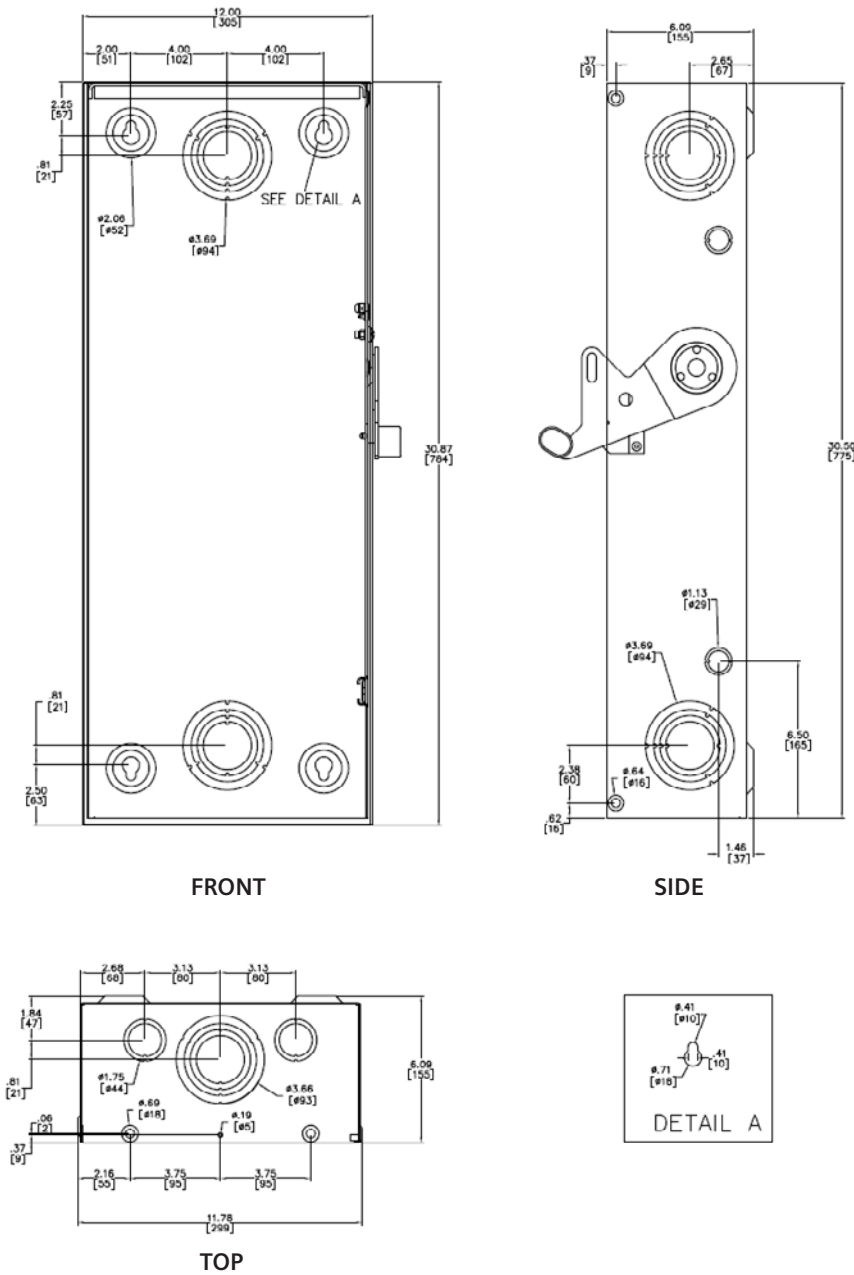
<sup>1</sup> Not suitable for direct current systems

<sup>2</sup> Suitable for use as service equipment

<sup>3</sup> At maximum HP rating, time delay type fuses may be required for starting purpose

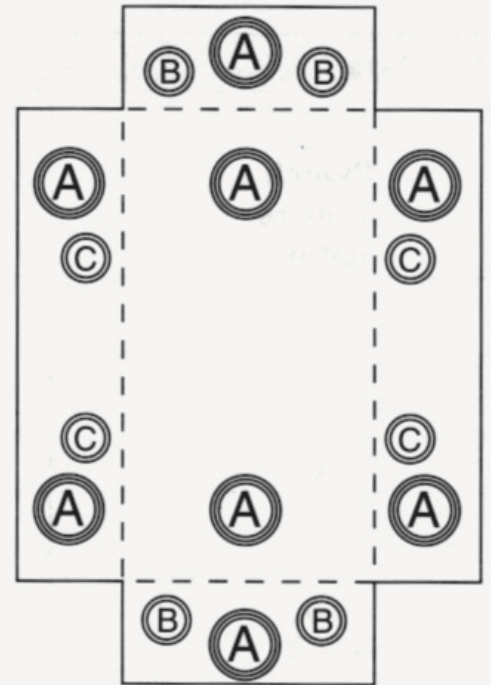
<sup>4</sup> Not applicable to switches suitable for use as service equipment

## Dimension drawings – units: inches [mm]



## Knock-out diagram

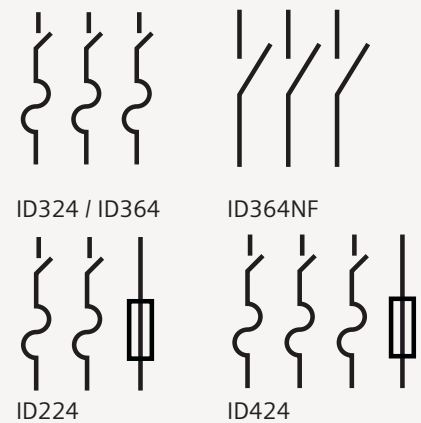
200 Amp Enclosure, Type ID



### K.O.'s trade size

- A = 1 1/2", 2", 2 1/2", 3"
- B = 1", 1 1/4"
- C = 1/2", 3/4"

## Wiring diagrams



Siemens Canada Limited  
Electrical Products  
1577 North Service Road East  
Oakville, ON L6H0H6

Published by  
Siemens Canada Limited 2021  
© Siemens Canada Limited, 2021  
Order no. SI-EP-1729

Subject to change without prior notice.

Customer Interaction Centre  
Tel: 1 (888) 303-3353  
cic.ca@siemens.com

The information provided in this flyer contains merely general descriptions or characteristics of performance which in case of actual use do not always apply as described or which may change as a result of further development of the products. An obligation to provide the respective characteristics shall only exist if expressly agreed in the terms of contract.

All product designations may be trademarks or product names of Siemens AG or supplier companies whose use by third parties for their own purposes could violate the rights of the owners.





**SIEMENS**  
Ingenuity for life

400A ID Series  
Product  
Specification  
Sheet

## ID Switches

3 Pole, 400 Amp, Type 1 (Indoor)

### Features

- Designed for the Canadian construction market
- Suitable for use in circuits rated for 100kA RMS – symmetrical and 600V maximum
- Continuous load 80% of fuse rating except for motor circuits
- CSA Certified under file #13076
- Compact size with integrated handle
- Type 1 enclosure for indoor applications
- Quick make-quick break mechanism
- Padlock-off handle feature
- Door padlock provision
- Knock out removed for increased installation flexibility
- Use C.S.A certified, H.R.C. fuses. Form I (Class J, R or H) and Form II fuses if the accepted adaptor kits are provided
- Manufactured in Canada for quick delivery and easy access to replacement parts

### General information\*

Part number	Max. voltage	Description	Unit weight – lbs (kg)
ID225	240V AC	2 Pole, 3 Wire, Fusible with neutral	76 (34.47)
ID425	240V AC	3 Pole, 4 Wire, Fusible with neutral	89 (40.36)
ID365	600V AC	3 Pole, 3 Wire, Fusible	88 (39.62)
ID365NF	600V AC	3 Pole, 3 Wire, Non-Fusible	87 (39.46)

\* Not suitable for direct current systems

### Maximum horsepower ratings

	1-PH	3-PH
240V AC Max HP†	—	125
480V AC Max HP†	—	250
600V AC Max HP†	—	250

† At maximum HP rating, time delay type fuses may be required for starting purpose

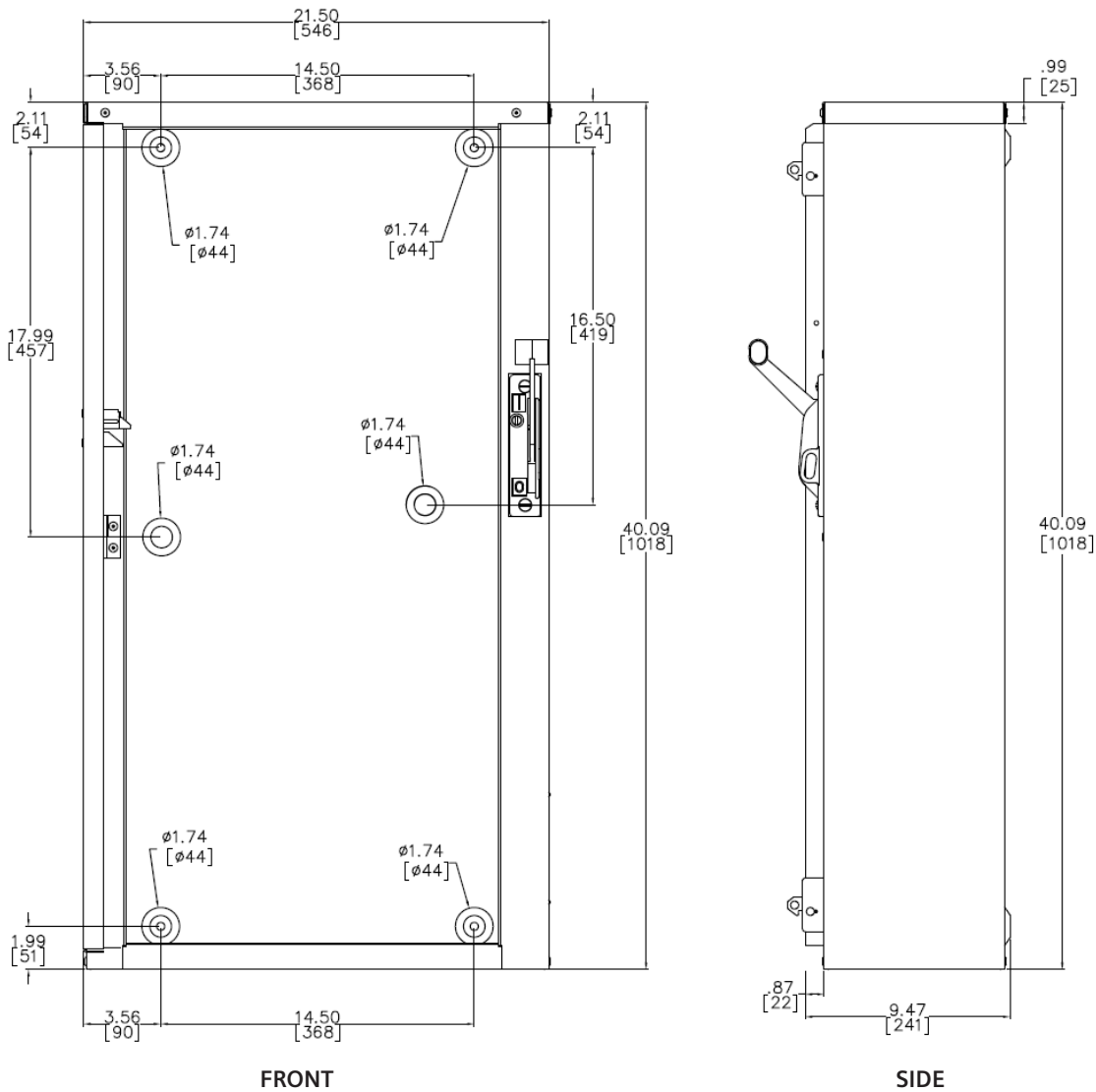
### Accessories

RFAK6	Type R fuse kit (Order one per pole)
N400ID	Neutral kit (Order one per 3-pole switch)
TFAK52	Type T fuse kit 240V (Order one per pole)
TFAK55	Type T fuse kit 600V (Order one per pole)
CLOBK5	Replacement load base kit
CLIBK5	Replacement line base kit

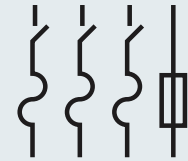
### Lug size data

Amp rating	Lugs/Pole	Wire range; Copper or Aluminium	
		Line and load	Neutral
400	1	(1)1/0 to 750 MCM or (2)1/0 to 250 MCM	

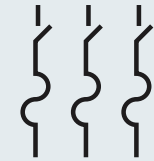
## Dimension drawings – units: inches [mm]



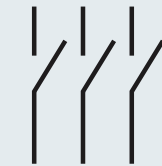
### Wiring diagrams



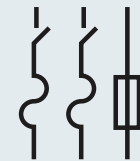
ID425



ID365



ID365NF



ID225

**Siemens Canada Limited**  
Energy Management Division  
Low Voltage & Products  
1577 North Service Road East  
Oakville, ON L6H 0H6

**Customer Interaction Centre**  
(888) 303-3353  
cic.ca@siemens.com

Subject to change without prior notice.  
Printed in Canada.  
© 2018 Siemens Canada Limited  
Order No: EM-LP-1521

The information provided in this flyer contains merely general descriptions or characteristics of performance which in case of actual use do not always apply as described or which may change as a result of further development of the products. An obligation to provide the respective characteristics shall only exist if expressly agreed in the terms of contract.

All product designations may be trademarks or product names of Siemens AG or supplier companies whose use by third parties for their own purposes could violate the rights of the owners.

# ID Switches

3 Pole, 600 Amp, Type 1 (Indoor)

## Features

- Designed for the Canadian construction market
- Suitable for use in circuits rated for 100kA RMS – symmetrical and 600V maximum
- Continuous load 80% of fuse rating except for motor circuits
- CSA Certified under file #13076
- Compact size with integrated handle
- Type 1 enclosure for indoor applications
- Quick make-quick break mechanism
- Padlock-off handle feature
- Door padlock provision
- Knock out removed for increased installation flexibility
- Use C.S.A. certified fuses H.R.C. Form I (Class J, R, T or H) and Form II Class C fuses if the accepted adaptor kits are provided
- Manufactured in Canada for quick delivery and easy access to replacement parts

## General information\*

Part number	Max. voltage	Description	Unit weight – lbs (kg)
ID226	240V AC	2 Pole, 3 Wire, Fusible with neutral	102 (46.27)
ID426	240V AC	3 Pole, 4 Wire, Fusible with neutral	102 (46.27)
ID366	600V AC	3 Pole, 3 Wire, Fusible	101 (45.81)
ID366NF	600V AC	3 Pole, 3 Wire, Non-Fusible	97 (44)

\* Not suitable for direct current systems

## Maximum horsepower ratings

	1-PH	3-PH
240V AC Max HP†	—	200
480V AC Max HP†	—	400
600V AC Max HP†	—	500

† At maximum HP rating, time delay type fuses may be required for starting purpose

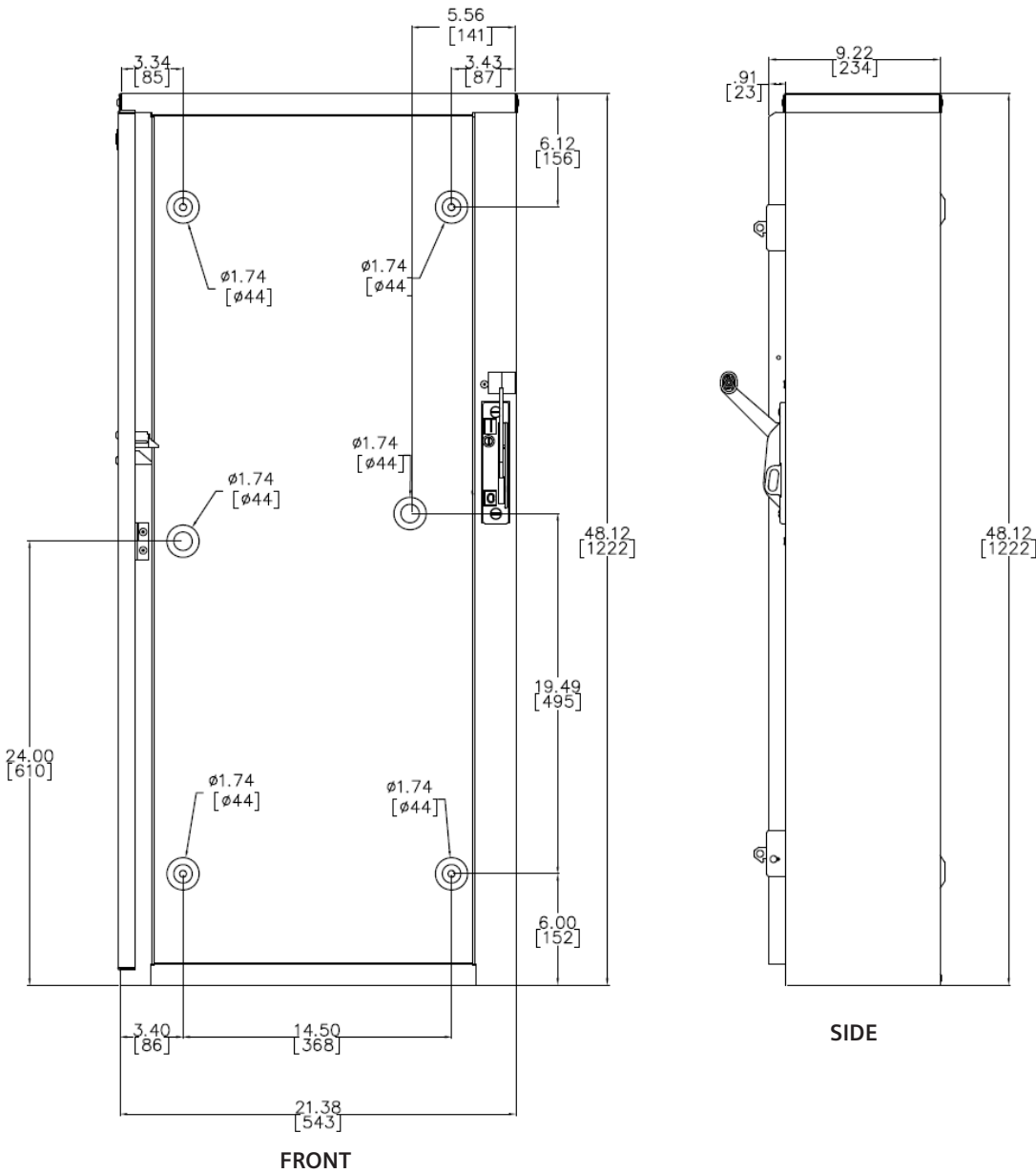
## Accessories

RFAK6N	Type R fuse kit (Order one per pole)
N600ID	Neutral kit (Order one per 3-pole switch)
TFAK62	Type T fuse kit 240V (Order one per pole)
TFAK65	Type T fuse kit 600V (Order one per pole)
CLOBK6	Replacement load base kit
CLIBK6	Replacement line base kit

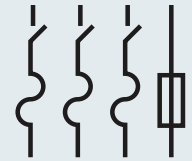
## Lug size data

Amp rating	Lugs/Pole	Wire range; Copper or Aluminium	
		Line and load	Neutral
600	2	(1)1/0 to 750 MCM or (2)1/0 to 250 MCM	

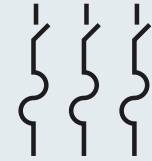
# Dimension drawings – units: inches [mm]



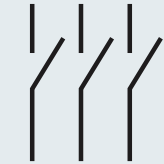
## Wiring diagrams



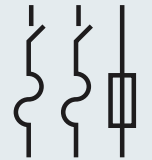
ID426



ID366



ID366NF



ID226

**Siemens Canada Limited**  
 Energy Management Division  
 Low Voltage & Products  
 1577 North Service Road East  
 Oakville, ON L6H 0H6

**Customer Interaction Centre**  
 (888) 303-3353  
 cic.ca@siemens.com

Subject to change without prior notice.  
 Printed in Canada.  
 © 2018 Siemens Canada Limited  
 Order No: EM-LP-1523

The information provided in this flyer contains merely general descriptions or characteristics of performance which in case of actual use do not always apply as described or which may change as a result of further development of the products. An obligation to provide the respective characteristics shall only exist if expressly agreed in the terms of contract.

All product designations may be trademarks or product names of Siemens AG or supplier companies whose use by third parties for their own purposes could violate the rights of the owners.