

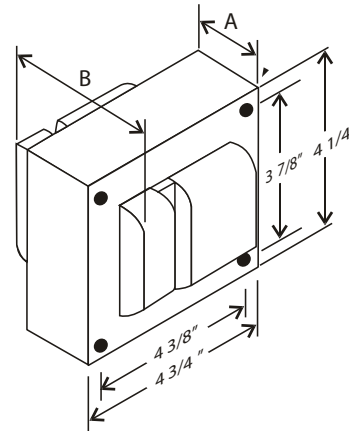
ORDERING INFORMATION

Order code: 10054
 Description: BMH0400/TRITAP/C/CWA/H/K/STD
 UPC: 69549100541



SPECIFICATIONS

Ballast type: Magnetic metal halide
 Ballast style: Core and coil
 Circuit type: CWA
 ANSI code: M59
 Input voltage (V): 120/277/347
 Input frequency (Hz): 60
 Line volt regulation: $\pm 10\%$
 Line watt regulation: $\pm 10\%$
 Insulation class: H (180°)



4 1/4" x 4 3/4" Core



Input voltage (V)	Operating current (A)	Open circuit current (A)	Starting current (A)	Rated lamp watts (W)	Input watts (W)	OCV (V)	Dropout voltage (V)	UL 1029 code	Fuse rating (A)	Input current (A)	Power factor	Starting temperature
120	4.00	3.50	2.90	400	458	300	60	B	10	2.50 - 3.10	0.90	-20°F / -30°C
277	1.70	1.60	1.30	400	458	300	140	D	5	1.05 - 1.40	0.90	-20°F / -30°C
347	1.40	1.30	1.00	400	458	300	175	D	4	0.85 - 1.10	0.90	-20°F / -30°C

HIGH POTENTIAL TEST (V)

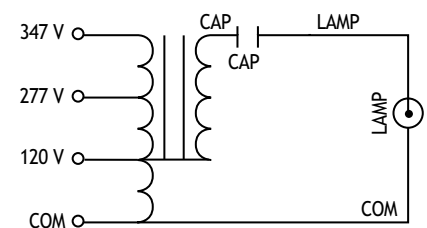
1 minute:	2 000
2 seconds:	2 500
OCV test:	270 - 330
Short circuit:	3.40 - 4.20

BALLAST DIMENSIONS

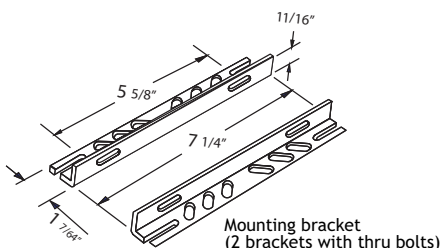
Dimension A:	2.00"
Dimension B:	3.70"
Lead Lengths:	12.00"
Weight (lbs):	13.00

WIRING DIAGRAM

Ground ballast core



BRACKET



CAPACITOR

