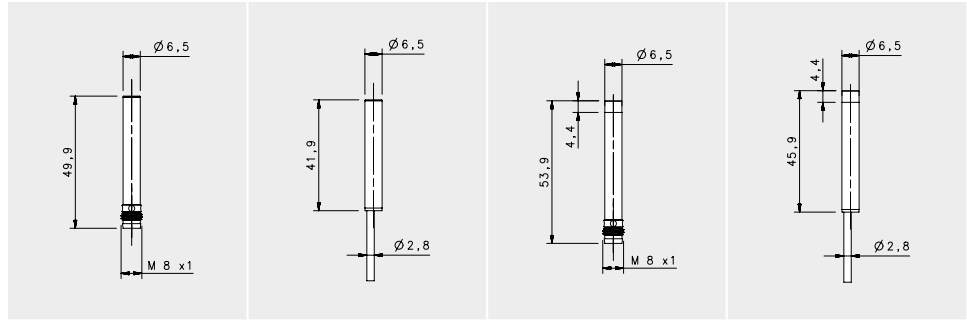


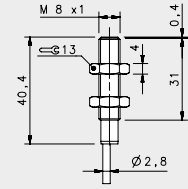
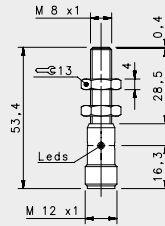
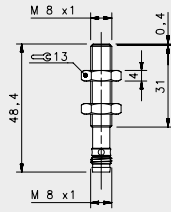
NAMUR M6.5



NAMUR

				FLUSH		NON FLUSH	
				M8 conn	cable	M8 conn	cable
NOMINAL SWITCHING DISTANCE				1 mm	1 mm	2 mm	2 mm
10-30 Vdc	PNP/NPN NO-NC	4 wires	order No.	---	---	---	---
10-30 Vdc	PNP NO	3 wires	order No.	---	---	---	---
10-30 Vdc	PNP NC	3 wires	order No.	---	---	---	---
10-30 Vdc	NPN NO	3 wires	order No.	---	---	---	---
10-30 Vdc	NPN NC	3 wires	order No.	---	---	---	---
10-30 Vdc	PNP NO-NC	4 wires	order No.	---	---	---	---
10-30 Vdc	NPN NO-NC	4 wires	order No.	---	---	---	---
10-30 Vdc	NO-NC	2 wires	order No.	---	---	---	---
20-250 Vac/Vdc	NO	2 wires	order No.	---	---	---	---
20-250 Vac/Vdc	NC	2 wires	order No.	---	---	---	---
20-250 Vac	NO	2/3 wires	order No.	---	---	---	---
10-30 Vdc	Analog 0-20 mA	3 wires	order No.	---	---	---	---
NAMUR amplifier	NAMUR	2 wires	order No.	IS-65-A20-S1 95B066310	IS-65-A20-03 95B066290	IS-65-C20-S1 95B066320	IS-65-C20-03 95B066300
Nominal Voltage				7,7 +9 V DC	7,7 +9 V DC	7,7 +9 V DC	7,7 +9 V DC
Residual Ripple				< 10%	< 10%	< 10%	< 10%
Hysteresis				< 10%	< 10%	< 10%	< 10%
Max. Output Current				< 3 mA (metal absent)	< 3 mA (metal absent)	< 3 mA (metal absent)	< 3 mA (metal absent)
Min. Output Current				< 1 mA (metal present)	< 1 mA (metal present)	< 1 mA (metal present)	< 1 mA (metal present)
Residual Current				---	---	---	---
Voltage Drop				---	---	---	---
Operation Led				---	---	---	---
Switching Frequency				2000 Hz	2000 Hz	2000 Hz	2000 Hz
Start Up Delay				---	---	---	---
Repeatability				< 3%	< 3%	< 3%	< 3%
Short Circuit Protection				Present (self-resetting)	Present (self-resetting)	Present (self-resetting)	Present (self-resetting)
Electric Protection				Against polarity reversal inductive loads	Against polarity reversal inductive loads	Against polarity reversal inductive loads	Against polarity reversal inductive loads
Temperature Limit				(-25 ... +60 °C)	(-25 ... +60 °C)	(-25 ... +60 °C)	(-25 ... +60 °C)
Protection Degree				IP67	IP67	IP67	IP67
Cable Length				---	2 m	---	2 m
Cable Section				---	2x 0,25 mm ²	---	2 x 0,25 mm ²
Housing Material				Nickel-plated brass	Nickel-plated brass	Nickel-plated brass	Nickel-plated brass
Active face				LCP	LCP	LCP	LCP
Weight - Cable Output				---	80 g	---	80 g
Weight - Connector Output				40 g	---	40 g	---

NAMUR M8



NAMUR FLUSH

				M8 conn	M12 conn	cable
				1 mm	1 mm	1 mm
NOMINAL SWITCHING DISTANCE						
10-30 Vdc	PNP/NPN NO-NC	4 wires	order No.	---	---	---
10-30 Vdc	PNP NO	3 wires	order No.	---	---	---
10-30 Vdc	PNP NC	3 wires	order No.	---	---	---
10-30 Vdc	NPN NO	3 wires	order No.	---	---	---
10-30 Vdc	NPN NC	3 wires	order No.	---	---	---
10-30 Vdc	PNP NO-NC	4 wires	order No.	---	---	---
10-30 Vdc	NPN NO-NC	4 wires	order No.	---	---	---
10-30 Vdc	NO-NC	2 wires	order No.	---	---	---
20-250 Vac/Vdc	NO	2 wires	order No.	---	---	---
20-250 Vac/Vdc	NC	2 wires	order No.	---	---	---
20-250 Vac	NO	2/3wires	order No.	---	---	---
10-30 Vdc	Analog 0-20 mA	3 wires	order No.	---	---	---
NAMUR amplifier	NAMUR	2 wires	order No.	IS-08-A20-S1 95B066780	IS-08-A20-S2 95B066760	S-08-A20-03 95B066740
Nominal Voltage				7,7 +9 V DC	7,7 +9 V DC	7,7 +9 V DC
Residual Ripple				< 10%	< 10%	< 10%
Hysteresis				< 10%	< 10%	< 10%
Max. Output Current				< 3 mA (metal absent)	< 3 mA (metal absent)	< 3 mA (metal absent)
Min. Output Current				< 1 mA (metal present)	< 1 mA (metal present)	< 1 mA (metal present)
Residual Current				---	---	---
Voltage Drop				---	---	---
Operation Led				---	---	---
Switching Frequency				2000 Hz	2000 Hz	2000 Hz
Start Up Delay				---	---	---
Repeatability				< 3%	< 3%	< 3%
Short Circuit Protection				Present (self-resetting)	Present (self-resetting)	Present (self-resetting)
Electric Protection				Against polarity reversal inductive loads	Against polarity reversal inductive loads	Against polarity reversal inductive loads
Temperature Limit				(-25 ... +60 °C)	(-25 ... +60 °C)	(-25 ... +60 °C)
Protection Degree				IP67	IP67	IP67
Cable Length				---	---	2 m
Cable Section				---	---	2x 0,25 mm ²
Housing Material				Nickel-plated brass	Nickel-plated brass	Nickel-plated brass
Active face				LCP	LCP	LCP
Tightening torque				4Nm	4Nm	4Nm
Weight - Cable Output				---	---	80 g
Weight - Connector Output				35g	55g	---

