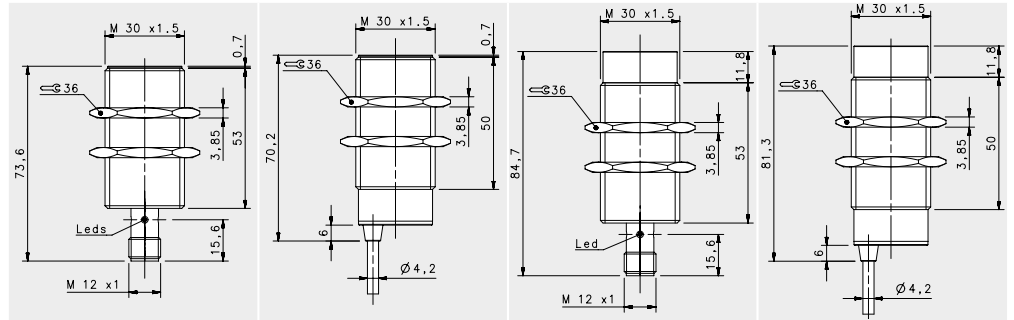


# BASIC M30



## STANDARD X2

### FLUSH

### NON-FLUSH

M12 conn

cable

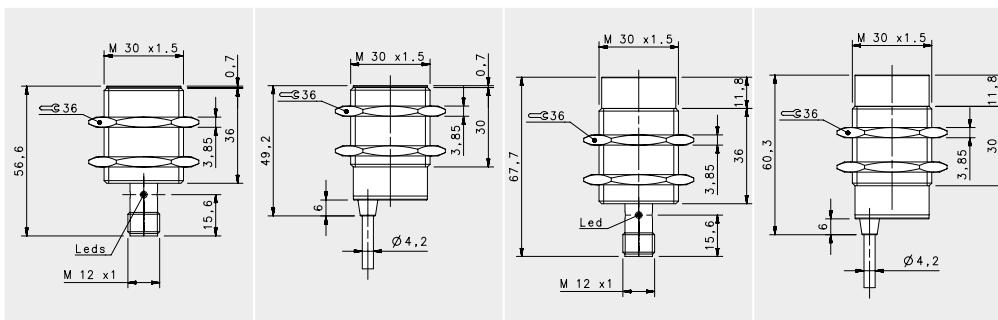
M12 conn

cable

### NOMINAL SWITCHING DISTANCE

				15mm	15mm	20 mm	20 mm
10-30 Vdc	PNP/NPN NO-NC	4 wires	order No.	IS-30-E0-S2 95B067390	IS-30-E0-03 95B067350	IS-30-F0-S2 95B067410	IS-30-F0-03 95B067370
10-30 Vdc	PNP NO	3 wires	order No.	IS-30-E1-S2 95B067060	IS-30-E1-03 95B067950	IS-30-F1-S2 95B067990	IS-30-F1-03 95B068030
10-30 Vdc	PNP NC	3 wires	order No.	IS-30-E2-S2 95B067920	IS-30-E2-03 95B067960	IS-30-F2-S2 95B068000	IS-30-F2-03 95B068040
10-30 Vdc	NPN NO	3 wires	order No.	IS-30-E3-S2 95B067930	IS-30-E3-03 95B067970	IS-30-F3-S2 95B068010	IS-30-F3-03 95B068050
10-30 Vdc	NPN NC	3 wires	order No.	IS-30-E4-S2 95B067940	IS-30-E4-03 95B067980	IS-30-F4-S2 95B068020	IS-30-F4-03 95B068060
10-30 Vdc	PNP NO-NC	4 wires	order No.	---	---	---	---
10-30 Vdc	NPN NO-NC	4 wires	order No.	---	---	---	---
10-30 Vdc	NO-NC	2 wires	order No.	IS-30-E9-S2 95B067400	IS-30-E9-03 95B067360	IS-30-F9-S2 95B067420	IS-30-F9-03 95B067380
20-250 Vac/Vdc	NO	2 wires	order No.	---	---	---	---
20-250 Vac/Vdc	NC	2 wires	order No.	---	---	---	---
20-250 Vac	NO	2/3wires	order No.	---	---	---	---
10-30 Vdc	Analog 0-20 mA	3 wires	order No.	---	---	---	---
NAMUR amplifier	NAMUR	2 wires	order No.	---	---	---	---

	10-30 Vdc (-15/10%)	10-30 Vdc (-15/10%)	10-30 Vdc (-15/10%)	10-30 Vdc (-15/10%)
Nominal Voltage	10-30 Vdc (-15/10%)	10-30 Vdc (-15/10%)	10-30 Vdc (-15/10%)	10-30 Vdc (-15/10%)
Residual Ripple	< 10%	< 10%	< 10%	< 10%
Hysteresis	< 10%	< 10%	< 10%	< 10%
Max. Output Current	200 mA	200 mA	200 mA	200 mA
Min. Output Current	---	---	---	---
Residual Current	< 10 mA	< 10 mA	< 10 mA	< 10 mA
Voltage Drop	< 6,5 V (I=100mA)	< 6,5 V (I=100mA)	< 6,5 V (I=100mA)	< 6,5 V (I=100mA)
Operation Led	Yellow	Yellow	Yellow	Yellow
Switching Frequency	200 Hz/100 Hz (2 wires NO-NC)	200 Hz/100 Hz (2 wires NO-NC)	200 Hz/100 Hz (2 wires NO-NC)	200 Hz/100 Hz (2 wires NO-NC)
Start Up Delay	< 75 ms	< 75 ms	< 75 ms	< 75 ms
Repeatability	< 3%	< 3%	< 3%	< 3%
Short Circuit Protection	Present (self-resetting)	Present (self-resetting)	Present (self-resetting)	Present (self-resetting)
Electric Protection	Against polarity reversal inductive loads	Against polarity reversal inductive loads	Against polarity reversal inductive loads	Against polarity reversal inductive loads
Temperature Limit	(-25 ... +70 °C)	(-25 ... +70 °C)	(-25 ... +70 °C)	(-25 ... +70 °C)
Protection Degree	IP67	IP67	IP67	IP67
Cable Length	---	---	---	---
Cable Section	---	2 x 0,34 mm <sup>2</sup> 3 x 0,14 mm <sup>2</sup> 4 x 0,25 mm <sup>2</sup>	---	2 x 0,34 mm <sup>2</sup> 3 x 0,14 mm <sup>2</sup> 4 x 0,25 mm <sup>2</sup>
Housing Material	Nickel-plated brass	Nickel-plated brass	Nickel-plated brass	Nickel-plated brass
Active face	LCP	LCP	LCP	LCP
Tightening torque	60Nm	60Nm	60Nm	60Nm
Weight - Cable Output	---	---	---	---
Weight - Connector Output	170 g	170 g	170 g	170 g

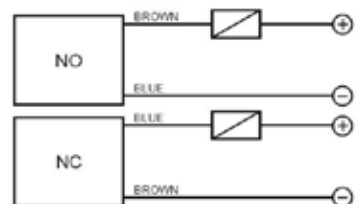


### SHORT X2

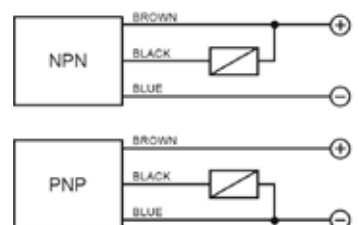
FLUSH		NON FLUSH	
M12 conn	cable	M12 conn	cable
15mm	15mm	20 mm	20 mm
---	---	---	---
IS-30-G1-S2	IS-30-G1-O3	IS-30-H1-S2	IS-30-H1-O3
95B063691	95B063681	95B063771	95B063761
IS-30-G2-S2	IS-30-G2-O3	IS-30-H2-S2	IS-30-H2-O3
95B063711	95B063701	95B063791	95B063781
IS-30-G3-S2	IS-30-G3-O3	IS-30-H3-S2	IS-30-H3-O3
95B063651	95B063641	95B063731	95B063721
IS-30-G4-S2	IS-30-G4-O3	IS-30-H4-S2	IS-30-H4-O3
95B063671	95B063661	95B063751	95B063741
IS-30-G5-S2	IS-30-G5-O3	IS-30-H5-S2	IS-30-H5-O3
95B063831	95B063821	95B064450	95B064420
IS-30-G6-S2	IS-30-G6-O3	IS-30-H6-S2	IS-30-H6-O3
95B064430	95B064400	95B064440	95B064410
---	---	---	---
---	---	---	---
---	---	---	---
---	---	---	---
---	---	---	---
---	---	---	---
---	---	---	---
---	---	---	---
---	---	---	---
---	---	---	---
---	---	---	---
---	---	---	---
---	---	---	---
---	---	---	---

10-30 Vdc (-15/10%)	10-30 Vdc (-15/10%)	10-30 Vdc (-15/10%)	10-30 Vdc (-15/10%)
< 10%	< 10%	< 10%	< 10%
< 10%	< 10%	< 10%	< 10%
200 mA	200 mA	200 mA	200 mA
---	---	---	---
< 10 mA	< 10 mA	< 10 mA	< 10 mA
< 1,2 V (I=100mA)	< 1,2 V (I=100mA)	< 1,2 V (I=100mA)	< 1,2 V (I=100mA)
Yellow	Yellow	Yellow	Yellow
200 Hz	200 Hz	200 Hz	200 Hz
< 75 ms	< 75 ms	< 75 ms	< 75 ms
< 3%	< 3%	< 3%	< 3%
Present (self-resetting)	Present (self-resetting)	Present (self-resetting)	Present (self-resetting)
Against polarity reversal inductive loads	Against polarity reversal inductive loads	Against polarity reversal inductive loads	Against polarity reversal inductive loads
(-25 ... +70 °C)	(-25 ... +70 °C)	(-25 ... +70 °C)	(-25 ... +70 °C)
IP67	IP67	IP67	IP67
---	2 m	---	2 m
---	3 x 0,14 mm <sup>2</sup> 4 x 0,25 mm <sup>2</sup>	---	3 x 0,14 mm <sup>2</sup> 4 x 0,25 mm <sup>2</sup>
Nickel-plated brass	Nickel-plated brass	Nickel-plated brass	Nickel-plated brass
LCP	LCP	LCP	LCP
60Nm	60Nm	60Nm	60Nm
---	210 g	---	210 g
170 g	---	170 g	---

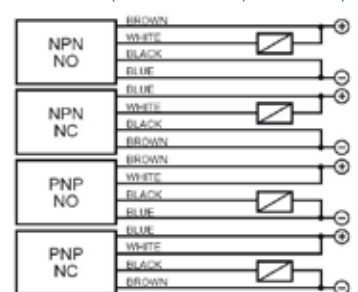
#### 2 wires NO or NC



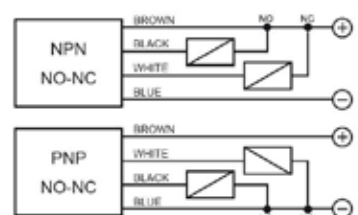
#### 3 wires PNP or NPN



#### 4 wires (PNP/NPN, NO/NC)



#### 4 wires (NO+NC)



### M12 connector connections

#### 2 wires NO or NC

Available	CONTACTS CONFIGURATION			
	Contacts numbers			
NO	1	2	3	4
NC	-	-	+	-

#### 3 wires

Available	CONTACTS CONFIGURATION			
	Contacts numbers			
(NO or NC)	1	2	3	4
	+	-	-	NO/NC

#### 4 wires (PNP/NPN, NO/NC)

Output	CONTACTS CONFIGURATION			
	Contacts numbers			
NPN NO	1	2	3	4
NPN NC	-	NC	+	-
PNP NO	+	+	-	NO
PNP NC	-	+	+	NC

#### 4 wires (NO+NC)

Available	Contacts numbers			
	1	2	3	4
(NO + NC)	+	NC	-	NO