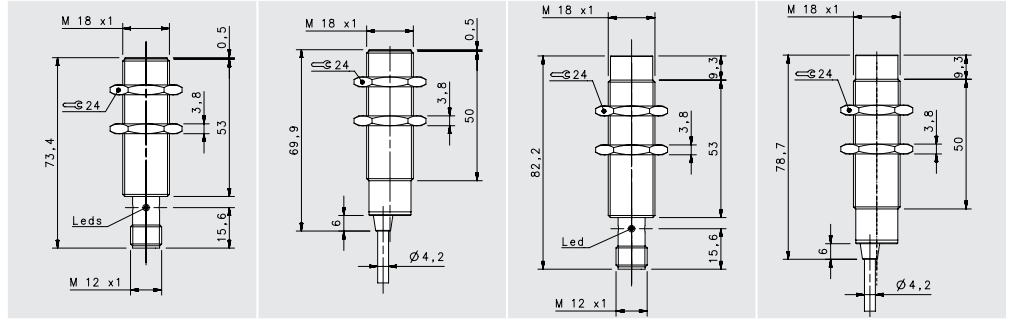


BASIC M18



STANDARD X2

FLUSH

NON FLUSH

M12 conn

cable

M12 conn

cable

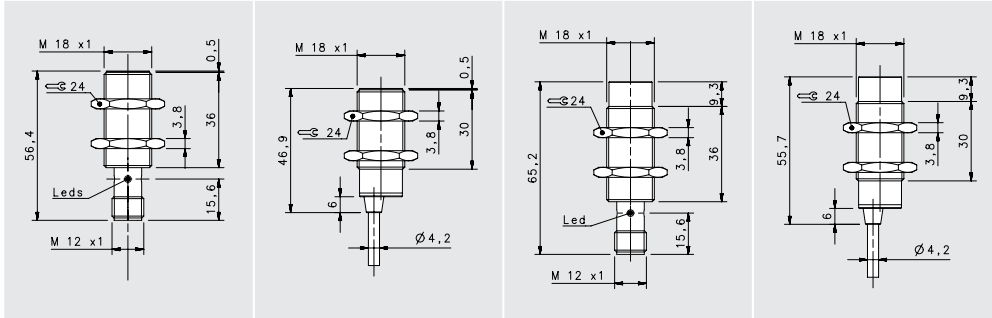
NOMINAL SWITCHING DISTANCE

8 mm

14 mm

10-30 Vdc	PNP/NPN NO-NC	4 wires	order No.	IS-18-E0-S2 95B067310	IS-18-E0-O3 95B067270	IS-18-F0-S2 95B067330	IS-18-F0-O3 95B067290
10-30 Vdc	PNP NO	3 wires	order No.	IS-18-E1-S2 95B067050		IS-18-F1-S2 95B067040	
10-30 Vdc	PNP NC	3 wires	order No.	---	---	---	---
10-30 Vdc	NPN NO	3 wires	order No.	---	---	---	---
10-30 Vdc	NPN NC	3 wires	order No.	---	---	---	---
10-30 Vdc	PNP NO-NC	4 wires	order No.	---	---	---	---
10-30 Vdc	NPN NO-NC	4 wires	order No.	---	---	---	---
10-30 Vdc	NO-NC	2 wires	order No.	IS-18-E9-S2 95B067320	IS-18-E9-O3 95B067280	IS-18-F9-S2 95B067340	IS-18-F9-O3 95B067300
20-250 Vac/Vdc	NO	2 wires	order No.	---	---	---	---
20-250 Vac/Vdc	NC	2 wires	order No.	---	---	---	---
20-250 Vac	NO	2/3wires	order No.	---	---	---	---
10-30 Vdc	Analog 0-20 mA	3 wires	order No.	---	---	---	---
NAMUR amplifier	NAMUR	2 wires	order No.	---	---	---	---

	10-30 Vdc (-15/10%)	10-30 Vdc (-15/10%)	10-30 Vdc (-15/10%)	10-30 Vdc (-15/10%)
Nominal Voltage	10-30 Vdc (-15/10%)	10-30 Vdc (-15/10%)	10-30 Vdc (-15/10%)	10-30 Vdc (-15/10%)
Residual Ripple	< 10%	< 10%	< 10%	< 10%
Hysteresis	< 10%	< 10%	< 10%	< 10%
Max. Output Current	200 mA	200 mA	200 mA	200 mA
Min. Output Current	---	---	---	---
Residual Current	< 10 mA	< 10 mA	< 10 mA	< 10 mA
Voltage Drop	< 1,2 V (I=100mA)	< 1,2 V (I=100mA)	< 1,2 V (I=100mA)	< 1,2 V (I=100mA)
Operation Led	Yellow	Yellow	Yellow	Yellow
Switching Frequency	400 Hz	400 Hz	100 Hz	100 Hz
Start Up Delay	< 50 ms	< 50 ms	< 50 ms	< 50 ms
Repeatability	< 3%	< 3%	< 3%	< 3%
Short Circuit Protection	Present (self-resetting)	Present (self-resetting)	Present (self-resetting)	Present (self-resetting)
Electric Protection	Against polarity reversal inductive loads	Against polarity reversal inductive loads	Against polarity reversal inductive loads	Against polarity reversal inductive loads
Temperature Limit	(-25 ... +70 °C)	(-25 ... +70 °C)	(-25 ... +70 °C)	(-25 ... +70 °C)
Protection Degree	IP67	IP67	IP67	IP67
Cable Length	---	---	---	---
Cable Section	---	---	---	---
Housing Material	Nickel-plated brass	Nickel-plated brass	Nickel-plated brass	Nickel-plated brass
Weight - Cable Output	---	---	145g	145g
Weight - Connector Output	95g	95g	---	---

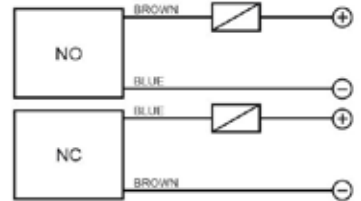


SHORT X2

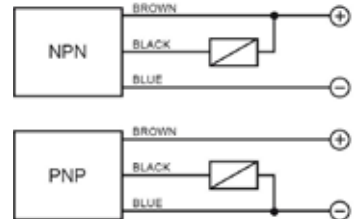
FLUSH		NON FLUSH	
M12 conn	8 mm	M12 conn	8 mm
cable	8 mm	cable	8 mm
---	---	---	---
---	---	---	---
IS-18-G1-S2	IS-18-G1-03	IS-18-H1-S2	IS-18-H1-03
95B063531	95B063521	95B063611	95B063601
IS-18-G2-S2	IS-18-G2-03	IS-18-H2-S2	IS-18-H2-03
95B063551	95B063541	95B063631	95B063621
IS-18-G3-S2	IS-18-G3-03	IS-18-H3-S2	IS-18-H3-03
95B063491	95B063061	95B063571	95B063561
IS-18-G4-S2	IS-18-G4-03	IS-18-H4-S2	IS-18-H4-03
95B063511	95B063501	95B063591	95B063581
IS-18-G5-S2	IS-18-G5-03	IS-18-H5-S2	IS-18-H5-03
95B062731	95B062721	95B062811	95B064220
IS-18-G6-S2	IS-18-G6-03	IS-18-H6-S2	IS-18-H6-03
95B062711	95B064200	95B062791	95B064210
---	---	---	---
---	---	---	---
---	---	---	---
---	---	---	---
---	---	---	---
---	---	---	---
---	---	---	---
---	---	---	---
---	---	---	---
---	---	---	---
---	---	---	---

10-30 Vdc (-15/10%)	10-30 Vdc (-15/10%)	10-30 Vdc (-15/10%)	10-30 Vdc (-15/10%)
< 10%	< 10%	< 10%	< 10%
< 10%	< 10%	< 10%	< 10%
200 mA	200 mA	200 mA	200 mA
> 1,6 mA (2wires ver.)	> 1,6 mA (2wires ver.)	> 1,6 mA (2wires ver.)	> 1,6 mA (2wires ver.)
< 10 mA	< 10 mA	< 10 mA	< 10 mA
< 1,2 V (I=100mA)	< 1,2 V (I=100mA)	< 1,2 V (I=100mA)	< 1,2 V (I=100mA)
Yellow	Yellow	Yellow	Yellow
400 Hz/100 Hz (4 wires NO-NC)	400 Hz/100 Hz (4 wires NO-NC)	400 Hz/100 Hz (4 wires NO-NC)	400 Hz/100 Hz (4 wires NO-NC)
< 75 ms	< 75 ms	< 75 ms	< 75 ms
< 3%	< 3%	< 3%	< 3%
Present (self-resetting)	Present (self-resetting)	Present (self-resetting)	Present (self-resetting)
Against polarity reversal inductive loads	Against polarity reversal inductive loads	Against polarity reversal inductive loads	Against polarity reversal inductive loads
(-25 ... +60 °C)	(-25 ... +70 °C)	(-25 ... +60 °C)	(-25 ... +70 °C)
IP67	IP67	IP67	IP67
---	2 m	---	---
---	3 x 0,25 mm ²	---	3 x 0,25 mm ²
Nickel-plated brass	Nickel-plated brass	Nickel-plated brass	Nickel-plated brass
---	145g	---	145g
95g	---	95g	---

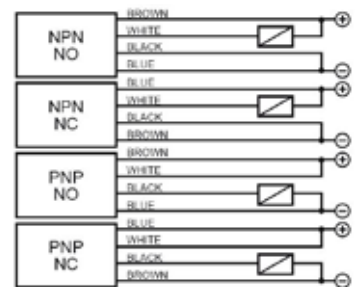
2 wires NO or NC



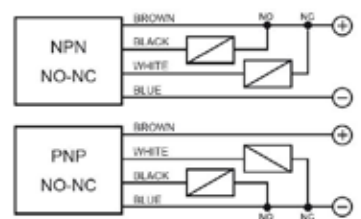
3 wires PNP or NPN



4 wires (PNP/NPN, NO/NC)



4 wires (NO+NC)



M12 connector connections

2 wires NO or NC

Available	CONTACTS CONFIGURATION			
	Contacts numbers			
NO	+	-	-	-
NC	-	+	+	-

3 wires

Available	CONTACTS CONFIGURATION			
	Contacts numbers			
(NO or NC)	+	-	-	NO/NC

4 wires (PNP/NPN, NO/NC)

Output	CONTACTS CONFIGURATION			
	Contacts numbers			
NPN NO	+	NO	-	-
NPN NC	-	NC	+	-
PNP NO	+	+	-	NO
PNP NC	-	+	+	NC

4 wires (NO+NC)

Available	CONTACTS CONFIGURATION			
	Contacts numbers			
(NO + NC)	+	NC	-	NO