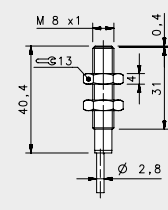
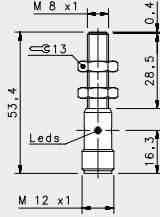
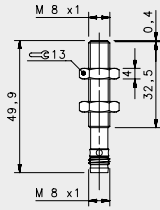


STAINLESS STEEL M8



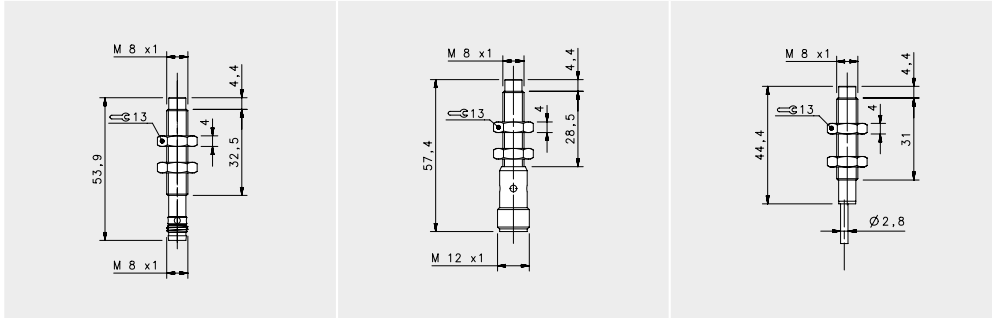
SHORT STAINLESS STEEL

FLUSH

NOMINAL SWITCHING DISTANCE

				M8 conn	M12 conn	cable
				1,5 mm	1,5 mm	1,5 mm
10-30 Vdc	PNP/NPN NO-NC	4 wires	order No.	---	---	---
10-30 Vdc	PNP NO	3 wires	order No.	IS-08-M1-S1 95B066870	IS-08-M1-S2 95B066600	IS-08-M1-03 95B066380
10-30 Vdc	PNP NC	3 wires	order No.	IS-08-M2-S1 95B066900	IS-08-M2-S2 95B066630	IS-08-M2-03 95B066600
10-30 Vdc	NPN NO	3 wires	order No.	IS-08-M3-S1 95B066820	IS-08-M3-S2 95B066540	IS-08-M3-03 95B066340
10-30 Vdc	NPN NC	3 wires	order No.	IS-08-M4-S1 95B066840	IS-08-M4-S2 95B066570	IS-08-M4-03 95B066360
10-30 Vdc	PNP NO-NC	4 wires	order No.	---	---	---
10-30 Vdc	NPN NO-NC	4 wires	order No.	---	---	---
10-30 Vdc	NO-NC	2 wires	order No.	---	---	---
20-250 Vac/Vdc	NO	2 wires	order No.	---	---	---
20-250 Vac/Vdc	NC	2 wires	order No.	---	---	---
20-250 Vac	NO	2/3 wires	order No.	---	---	---
10-30 Vdc	Analog 0-20 mA	3 wires	order No.	---	---	---
NAMUR amplifier	NAMUR	2 wires	order No.	---	---	---

	10-30 Vdc (-15/10%)	10-30 Vdc (-15/10%)	10-30 Vdc (-15/10%)
Nominal Voltage	10-30 Vdc (-15/10%)	10-30 Vdc (-15/10%)	10-30 Vdc (-15/10%)
Residual Ripple	< 10%	< 10%	< 10%
Hysteresis	< 10%	< 10%	< 10%
Max. Output Current	200 mA	200 mA	200 mA
Min. Output Current	---	---	---
Residual Current	< 10 mA	< 10 mA	< 10 mA
Voltage Drop	< 1,2 V (I=100mA)	< 1,2 V (I=100mA)	< 1,2 V (I=100mA)
Operation Led	Yellow	Yellow	Yellow
Switching Frequency	1000 Hz	1000 Hz	1000 Hz
Start Up Delay	< 50 ms	< 50 ms	< 50 ms
Repeatability	< 3%	< 3%	< 3%
Short Circuit Protection	Present (self-resetting)	Present (self-resetting)	Present (self-resetting)
Electric Protection	Against polarity reversal inductive loads	Against polarity reversal inductive loads	Against polarity reversal inductive loads
Temperature Limit	(-25 ... +70 °C)	(-25 ... +70 °C)	(-25 ... +70 °C)
Protection Degree	IP69K	IP69K	IP69K
Cable Length	---	---	---
Cable Section	---	---	3x 0,14 mm ²
Housing Material	Stainless-Steel	Stainless-Steel	Stainless-Steel
Active face	LCP	LCP	LCP
Tightening torque	* see page 5 of the Inductive Sensors Catalog		
Weight - Cable Output	---	---	80 g
Weight - Connector Output	35g	55g	---



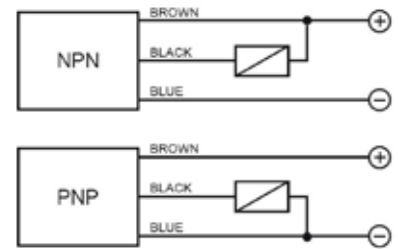
SHORT STAINLESS STEEL

NON FLUSH

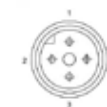
M8 conn 2 mm	M12 conn 2 mm	cable 2 mm
---	---	---
---	---	---
IS-08-N1-S1 95B066980	IS-08-N1-S2 95B066710	IS-08-N1-03 95B066490
IS-08-N2-S1 95B067010	IS-08-N2-S2 95B066730	IS-08-N2-03 95B066510
IS-08-N3-S1 95B066930	IS-08-N3-S2 95B066660	IS-08-N3-03 95B066440
IS-08-N4-S1 95B066950	IS-08-N4-S2 95B066680	IS-08-N4-03 95B066470
---	---	---
---	---	---
---	---	---
---	---	---
---	---	---
---	---	---
---	---	---
---	---	---
---	---	---
---	---	---
---	---	---
---	---	---
---	---	---
---	---	---
---	---	---
---	---	---
---	---	---
---	---	---
---	---	---
10-30 Vdc (-15/10%) < 10% < 10% 200 mA ---	10-30 Vdc (-15/10%) < 10% < 10% 200 mA ---	10-30 Vdc (-15/10%) < 10% < 10% 200 mA ---
< 10 mA < 1,2 V (I=100mA) Yellow 1000 Hz < 50 ms < 3%	< 10 mA < 1,2 V (I=100mA) Yellow 1000 Hz < 50 ms < 3%	< 10 mA < 1,2 V (I=100mA) Yellow 1000 Hz < 50 ms < 3%
Present (self-resetting) Against polarity reversal inductive loads (-25 ... +70 °C) IP69K ---	Present (self-resetting) Against polarity reversal inductive loads (-25 ... +70 °C) IP69K ---	Present (self-resetting) Against polarity reversal inductive loads (-25 ... +70 °C) IP69K ---
---	---	3x 0,14 mm ²
Stainless-Steel LCP	Stainless-Steel LCP	Stainless-Steel LCP
---	---	80 g
35g	55g	---

* see page 5 of the Inductive Sensors Catalog * see page 5 of the Inductive Sensors Catalog * see page 5 of the Inductive Sensors Catalog

3 wires PNP or NPN



M12 3 pole



Available (NO or NC)	CONTACTS CONFIGURATION			
	Contacts numbers			
	1	2	3	4
	+	+	-	NO/NC

M8 3 pole



Available	CONTACTS CONFIGURATION		
	Contacts numbers		
	1	3	4
NPN/PNP	BROWN +	BLUE -	BLACK NO/NC