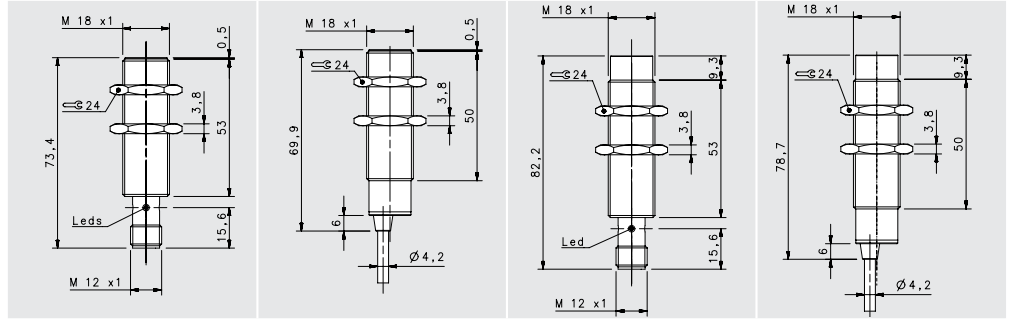


# BASIC M18



## STANDARD

### FLUSH

### NON FLUSH

M12 conn

cable

M12 conn

cable

### NOMINAL SWITCHING DISTANCE

				5 mm	5 mm	8 mm	8 mm
10-30 Vdc	PNP/NPN NO-NC	4 wires	order No.	IS-18-A0-S2 95B064260	IS-18-A0-O3 95B064230	IS-18-C0-S2 95B064280	IS-18-C0-O3 95B064240
10-30 Vdc	PNP NO	3 wires	order No.	IS-18-A1-S2 95B061351	IS-18-A1-O3 95B061341	IS-18-C1-S2 95B061751	IS-18-C1-O3 95B061741
10-30 Vdc	PNP NC	3 wires	order No.	IS-18-A2-S2 95B061371	IS-18-A2-O3 95B061361	IS-18-C2-S2 95B061771	IS-18-C2-O3 95B061761
10-30 Vdc	NPN NO	3 wires	order No.	IS-18-A3-S2 95B061311	IS-18-A3-O3 95B061301	IS-18-C3-S2 95B061711	IS-18-C3-O3 95B061701
10-30 Vdc	NPN NC	3 wires	order No.	IS-18-A4-S2 95B061331	IS-18-A4-O3 95B061321	IS-18-C4-S2 95B061731	IS-18-C4-O3 95B061721
10-30 Vdc	PNP NO-NC	4 wires	order No.	---	---	---	---
10-30 Vdc	NPN NO-NC	4 wires	order No.	---	---	---	---
10-30 Vdc	NO-NC	2 wires	order No.	IS-18-A9-S2 95B063941	S-18-A9-O3 95B064300	IS-18-C9-S2 95B064340	IS-18-C9-O3 95B064310
20-250 Vac/Vdc	NO	2 wires	order No.	---	---	---	---
20-250 Vac/Vdc	NC	2 wires	order No.	---	---	---	---
20-250 Vac	NO	2/3wires	order No.	---	---	---	---
10-30 Vdc	Analog 0-20 mA	3 wires	order No.	---	---	---	---
NAMUR amplifier	NAMUR	2 wires	order No.	---	---	---	---

Nominal Voltage	10-30 Vdc (-15/10%)	10-30 Vdc (-15/10%)	10-30 Vdc (-15/10%)	10-30 Vdc (-15/10%)
Residual Ripple	< 10%	< 10%	< 10%	< 10%
Hysteresis	< 10%	< 10%	< 10%	< 10%
Max. Output Current	200 mA	200 mA	200 mA	200 mA
Min. Output Current	> 1,6 mA (2wires ver.)	> 1,6 mA (2wires ver.)	> 1,6 mA (2wires ver.)	> 1,6 mA (2wires ver.)
Residual Current	< 10 mA	< 10 mA	< 10 mA	< 10 mA
Voltage Drop	< 1,8V; < 6,5 V (2wires ver.)	< 1,8V; < 6,5 V (2wires ver.)	< 1,8V; < 6,5 V (2wires ver.)	< 1,8V; < 6,5 V (2wires ver.)
Operation Led	Yellow	Yellow	Yellow	Yellow
Switching Frequency	1000 Hz/200 Hz (2 wires NO-NC)	1000 Hz/200 Hz (2 wires NO-NC)	1000 Hz/200 Hz (2 wires NO-NC)	1000 Hz/200 Hz (2 wires NO-NC)
Start Up Delay	< 50 ms	< 50 ms	< 50 ms	< 50 ms
Repeatability	< 3%	< 3%	< 3%	< 3%
Short Circuit Protection	Present (self-resetting)	Present (self-resetting)	Present (self-resetting)	Present (self-resetting)
Electric Protection	Against polarity reversal inductive loads	Against polarity reversal inductive loads	Against polarity reversal inductive loads	Against polarity reversal inductive loads
Temperature Limit	(-25 ... +60 °C)	(-25 ... +60 °C)	(-25 ... +60 °C)	(-25 ... +60 °C)
Protection Degree	IP67	IP67	IP67	IP67
Cable Length	---	2 m	---	2 m
Cable Section	---	2/3/4 x 0,25 mm <sup>2</sup>	---	2/3/4 x 0,25 mm <sup>2</sup>
Housing Material	Nickel-plated brass	Nickel-plated brass	Nickel-plated brass	Nickel-plated brass
Weight - Cable Output	---	145g	---	145g
Weight - Connector Output	95g	---	95g	---

