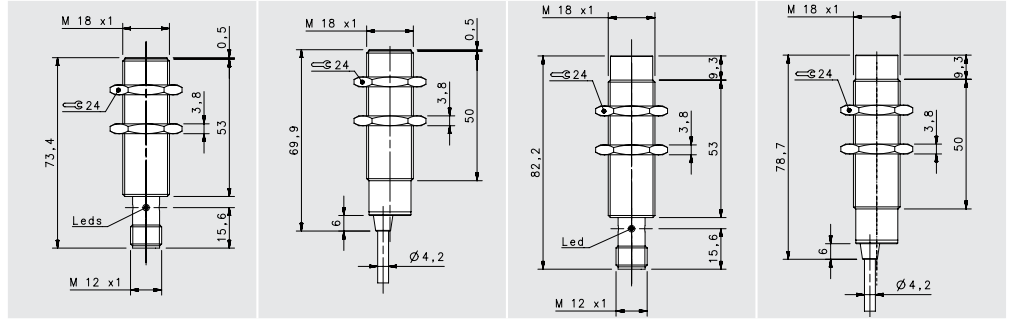


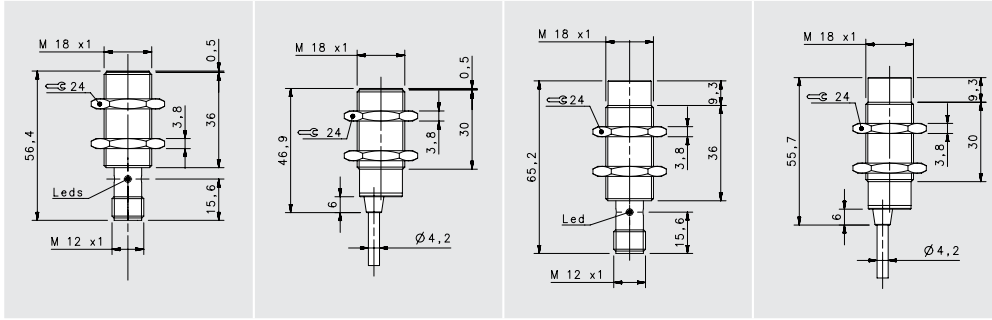
BASIC M18



STANDARD

				FLUSH		NON FLUSH	
				M12 conn	cable	M12 conn	cable
				5 mm	5 mm	8 mm	8 mm
NOMINAL SWITCHING DISTANCE							
10-30 Vdc	PNP/NPN NO-NC	4 wires	order No.	IS-18-A0-S2 95B064260	IS-18-A0-O3 95B064230	IS-18-C0-S2 95B064280	IS-18-C0-O3 95B064240
10-30 Vdc	PNP NO	3 wires	order No.	IS-18-A1-S2 95B061351	IS-18-A1-O3 95B061341	IS-18-C1-S2 95B061751	IS-18-C1-O3 95B061741
10-30 Vdc	PNP NC	3 wires	order No.	IS-18-A2-S2 95B061371	IS-18-A2-O3 95B061361	IS-18-C2-S2 95B061771	IS-18-C2-O3 95B061761
10-30 Vdc	NPN NO	3 wires	order No.	IS-18-A3-S2 95B061311	IS-18-A3-O3 95B061301	IS-18-C3-S2 95B061711	IS-18-C3-O3 95B061701
10-30 Vdc	NPN NC	3 wires	order No.	IS-18-A4-S2 95B061331	IS-18-A4-O3 95B061321	IS-18-C4-S2 95B061731	IS-18-C4-O3 95B061721
10-30 Vdc	PNP NO-NC	4 wires	order No.	---	---	---	---
10-30 Vdc	NPN NO-NC	4 wires	order No.	---	---	---	---
10-30 Vdc	NO-NC	2 wires	order No.	IS-18-A9-S2 95B063941	S-18-A9-O3 95B064300	IS-18-C9-S2 95B064340	IS-18-C9-O3 95B064310
20-250 Vac/Vdc	NO	2 wires	order No.	---	---	---	---
20-250 Vac/Vdc	NC	2 wires	order No.	---	---	---	---
20-250 Vac	NO	2/3wires	order No.	---	---	---	---
10-30 Vdc	Analog 0-20 mA	3 wires	order No.	---	---	---	---
NAMUR amplifier	NAMUR	2 wires	order No.	---	---	---	---

Nominal Voltage	10-30 Vdc (-15/10%)	10-30 Vdc (-15/10%)	10-30 Vdc (-15/10%)	10-30 Vdc (-15/10%)
Residual Ripple	< 10%	< 10%	< 10%	< 10%
Hysteresis	< 10%	< 10%	< 10%	< 10%
Max. Output Current	200 mA	200 mA	200 mA	200 mA
Min. Output Current	> 1,6 mA (2wires ver.)	> 1,6 mA (2wires ver.)	> 1,6 mA (2wires ver.)	> 1,6 mA (2wires ver.)
Residual Current	< 10 mA	< 10 mA	< 10 mA	< 10 mA
Voltage Drop	< 1,8V; < 6,5 V (2wires ver.)	< 1,8V; < 6,5 V (2wires ver.)	< 1,8V; < 6,5 V (2wires ver.)	< 1,8V; < 6,5 V (2wires ver.)
Operation Led	Yellow	Yellow	Yellow	Yellow
Switching Frequency	1000 Hz/200 Hz (2 wires NO-NC)	1000 Hz/200 Hz (2 wires NO-NC)	1000 Hz/200 Hz (2 wires NO-NC)	1000 Hz/200 Hz (2 wires NO-NC)
Start Up Delay	< 50 ms	< 50 ms	< 50 ms	< 50 ms
Repeatability	< 3%	< 3%	< 3%	< 3%
Short Circuit Protection	Present (self-resetting)	Present (self-resetting)	Present (self-resetting)	Present (self-resetting)
Electric Protection	Against polarity reversal inductive loads	Against polarity reversal inductive loads	Against polarity reversal inductive loads	Against polarity reversal inductive loads
Temperature Limit	(-25 ... +60 °C)	(-25 ... +60 °C)	(-25 ... +60 °C)	(-25 ... +60 °C)
Protection Degree	IP67	IP67	IP67	IP67
Cable Length	---	2 m	---	2 m
Cable Section	---	2/3/4 x 0,25 mm ²	---	2/3/4 x 0,25 mm ²
Housing Material	Nickel-plated brass	Nickel-plated brass	Nickel-plated brass	Nickel-plated brass
Weight - Cable Output	---	145g	---	145g
Weight - Connector Output	95g	---	95g	---

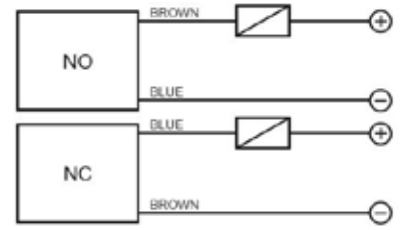


SHORT

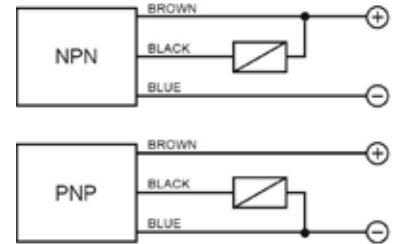
FLUSH		NON FLUSH	
M12 conn	cable	M12 conn	cable
5 mm	5 mm	8 mm	8 mm
---	---	---	---
---	---	---	---
IS-18-B1-S2	IS-18-B1-03	IS-18-D1-S2	IS-18-D1-03
95B062151	95B062141	95B062551	95B062541
IS-18-B2-S2	IS-18-B2-03	IS-18-D2-S2	IS-18-D2-03
95B062171	95B062161	95B062571	95B062561
IS-18-B3-S2	IS-18-B3-03	IS-18-D3-S2	IS-18-D3-03
95B062111	95B062101	95B062511	95B062501
IS-18-B4-S2	IS-18-B4-03	IS-18-D4-S2	IS-18-D4-03
95B062131	95B062121	95B062531	95B062521
---	---	---	---
---	---	---	---
---	---	---	---
---	---	---	---
---	---	---	---
---	---	---	---
---	---	---	---
---	---	---	---
---	---	---	---
---	---	---	---
---	---	---	---
---	---	---	---
---	---	---	---
---	---	---	---
---	---	---	---
---	---	---	---
---	---	---	---
---	---	---	---
---	---	---	---
---	---	---	---
---	---	---	---
---	---	---	---

10-30 Vdc (-15/10%)	10-30 Vdc (-15/10%)	10-30 Vdc (-15/10%)	10-30 Vdc (-15/10%)
< 10%	< 10%	< 10%	< 10%
< 10%	< 10%	< 10%	< 10%
200 mA	200 mA	200 mA	200 mA
---	---	---	---
< 10 mA	< 10 mA	< 10 mA	< 10 mA
< 1,8 V (I=100mA)	< 1,8 V (I=100mA)	< 1,8 V (I=100mA)	< 1,8 V (I=100mA)
Yellow	Yellow	Yellow	Yellow
1000 Hz	1000 Hz	1000 Hz	1000 Hz
< 50 ms	< 50 ms	< 50 ms	< 50 ms
< 3%	< 3%	< 3%	< 3%
Present (self-resetting)	Present (self-resetting)	Present (self-resetting)	Present (self-resetting)
Against polarity reversal inductive loads	Against polarity reversal inductive loads	Against polarity reversal inductive loads	Against polarity reversal inductive loads
(-25 ... +60 °C)	(-25 ... +60 °C)	(-25 ... +60 °C)	(-25 ... +60 °C)
IP67	IP67	IP67	IP67
---	2 m	---	2 m
---	3 x 0,25 mm ²	---	3 x 0,25 mm ²
Nickel-plated brass	Nickel-plated brass	Nickel-plated brass	Nickel-plated brass
---	145g	---	145g
95g	---	95g	---

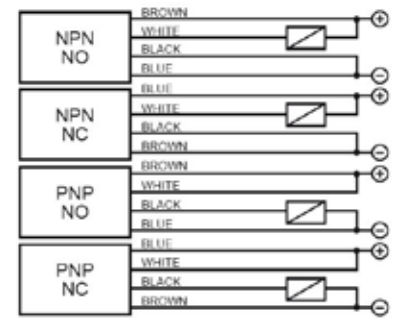
2 wires NO or NC



3 wires PNP or NPN



4 wires (PNP/NPN, NO/NC)



M12 connector - connections



2 wires NO or NC

Available	Contacts numbers			
	1	2	3	4
NO	+	---	---	---
NC	---	---	+	---

3 wires

Available (NO or NC)	Contacts numbers			
	1	2	3	4
	+	---	---	NO/NC

4 wires (PNP/NPN, NO/NC)

Output	Contacts numbers			
	1	2	3	4
NPN NO	+	NO	---	---
NPN NC	---	NC	+	---
PNP NO	+	+	---	NO
PNP NC	---	+	+	NC