

# ACCESSORIES | BRACKETS

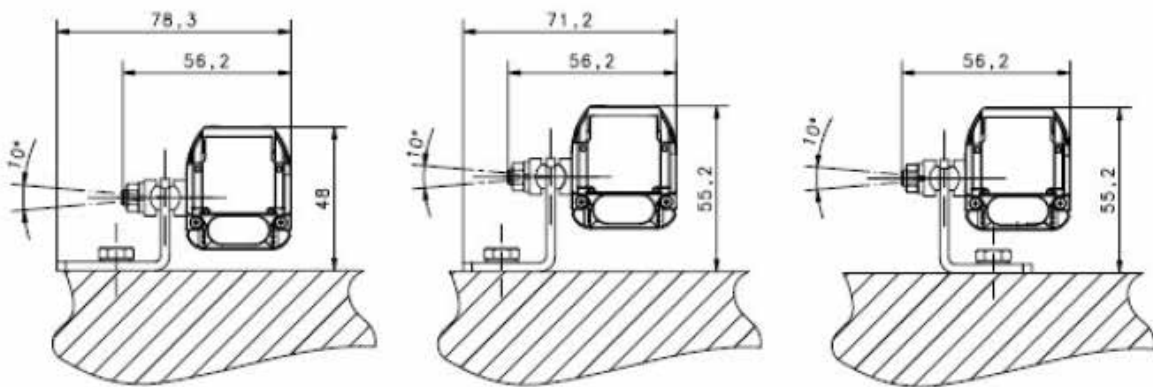
MODEL	DESCRIPTION	ORDER NUMBER
ST-K4OR	Orientable supports (4 pcs kit)	95ACC1680
ST-K6OR	Orientable supports (6 pcs kit)	95ACC1690

**COMPATIBILITY**

SG2 BASE, SG4 BASE  
 SG2 EXTENDED, SG4 EXTENDED  
 SG2/4 COMPACT BODY  
 SG2 MUTING  
 SG2/4 BODY BIG,  
 SG4 BODY REFLECTOR,  
 SG4 LONG RANGE BASE.

**NOTES**

They can be used together with metal angled fixing brackets (ST-KSTD) or plastic angled mounting brackets (ST-KP4MP/KP6MP), also in combination with antivibration supports (ST-K4AV/K6AV)



*Angled mounting bracket*

NOTE: the dimensions are related to SG4 EXTENDED. For other models of light curtains, refer to their manual.

MODEL	DESCRIPTION	ORDER NUMBER
ST-K4AV	Anti-vibration supports (4 pcs kit)	95ACC1700
ST-K6AV	Anti-vibration supports (6 pcs kit)	95ACC1710

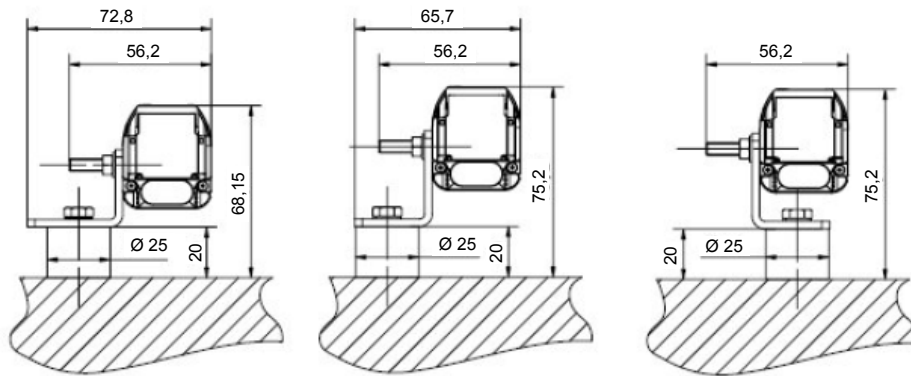
**COMPATIBILITY**

SG2 BASE, SG4 BASE  
 SG2 EXTENDED, SG4 EXTENDED  
 SG2/4 COMPACT BODY  
 SG2 MUTING  
 SG2/4 BODY BIG,  
 SG4 BODY REFLECTOR,  
 SG4 LONG RANGE BASE.

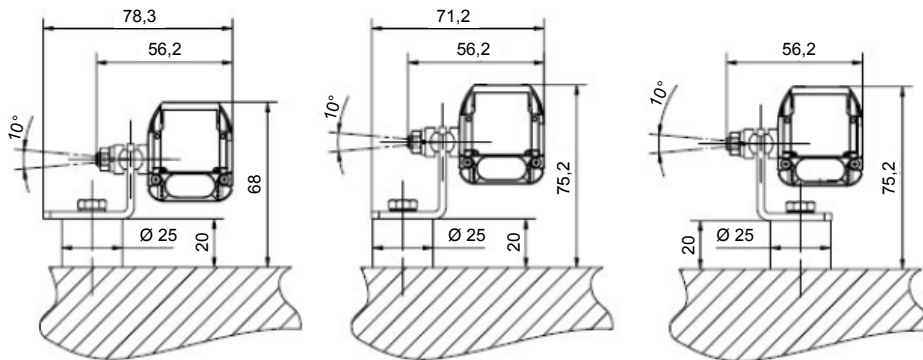
**NOTES**

Anti-vibration supports to be used together with metal angled mounting brackets (ST-KSTD, ST-K4STD-SG BODY BIG) or plastic angled mounting brackets (ST-KP4MP/KP6MP), also in combination with orientable supports (ST-K4OR/K6OR).





*Angled fixing bracket + Antivibration support*



*Angled mounting bracket + Orientable support + Anti-vibration support*

NOTE: the dimensions (mm) are related to SG4 EXTENDED. For other models of light curtains, refer to their manual.

### Plastic angled brackets

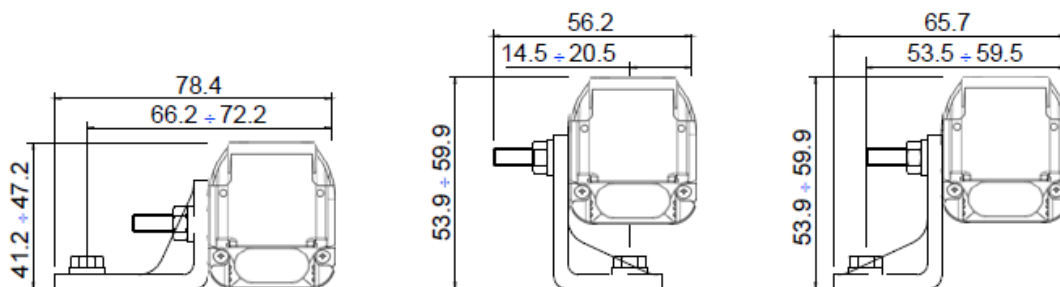
MODEL	DESCRIPTION	ORDER NUMBER
ST-KP4MP	Fixing brackets (4 pcs kit)	95ASE1100
ST-KP6MP	Fixing brackets (6 pcs kit)	95ASE1110

**COMPATIBILITY**

- SG2 BASE, SG4 BASE
- SG2 EXTENDED, SG4 EXTENDED
- SG2/4 BODY COMPACT
- SG2 MUTING
- SG2/4 BODY BIG
- SG4 BODY REFLECTOR
- SG4 LONG RANGE BASE.

**NOTES**

They can be used in combination with orientable (ST-K4OR/K6OR) or antivibration (ST-K4AV/K6AV) supports.

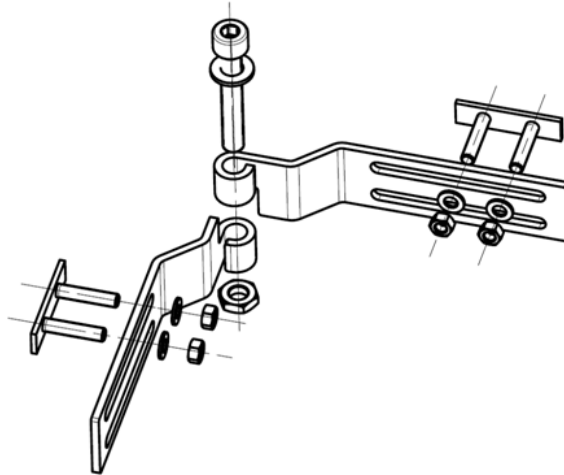


NOTE: the dimensions (mm) are related to SG4 EXTENDED. For other models of light curtains, refer to their manual.

# ACCESSORIES | BRACKETS

## Cascade brackets

MODEL	DESCRIPTION	ORDER NUMBER
ST-KCASCADE-SG EXTENDED	Connection Bracket for SG4 EXTENDED Cascade	95ASE2110
COMPATIBILITY		
SG4 EXTENDED		



## Rear brackets

MODEL	DESCRIPTION	ORDER NUMBER
ST-K4REAR-SG BODY BIG	Metal rear bracket mounting kit (4 brackets)	95ASE1970
COMPATIBILITY		
SG BODY BIG SG BODY REFLECTOR SG4 LONG RANGE BASE.		

