

# SG2 MUTING SG4 EXTENDED



State-of-the-art technology and versatility  
 Easily adaptable to the machine structure  
 Maximum application flexibility with configurable advanced functions  
 Complete diagnostic and monitoring online

- No dead zone
- Pigtail cable with M12 connector
- Cascade connection of up to 3 units
- Up to 20m operating range and 1800m protected height
- Compact dimensions (35 x 41 mm section)
- Anti-interference coding
- Integrated Muting function
- Floating Blanking, Fixed Blanking and Reduced Resolution
- Configurable with:
  - Autoteaching
  - Pushbuttons for common configuration
  - Graphic User Interface for complete parametrisation
- Ethernet Interface for programming, monitoring and error logging



## APPLICATIONS

- Automatic machines Robots
- Automatic assembling lines
- Palletizers and Depalletizers

## INDUSTRIES

- Food & Beverage
- Metalworking
- Automotive
- Wood
- Ceramics

	FINGER	HAND	ARM	BODY
Type 2		x		
Type 4	x	x		

**SG4-14-030-00-P**

TYPE	
2	Type 2
4	Type 4

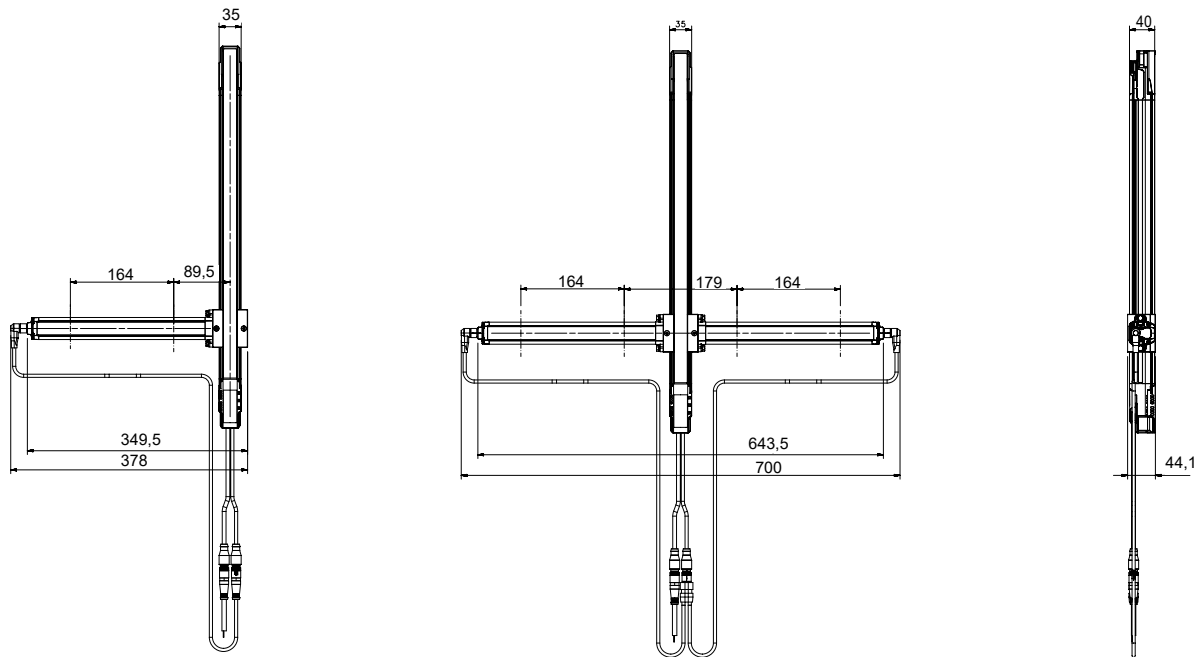
MONITORED HEIGHT	
030	300 mm
045	450 mm
...	
180	1800 mm

RESOLUTION	
14	Finger: 14 mm (only Type 4)
30	Hand: 30 mm

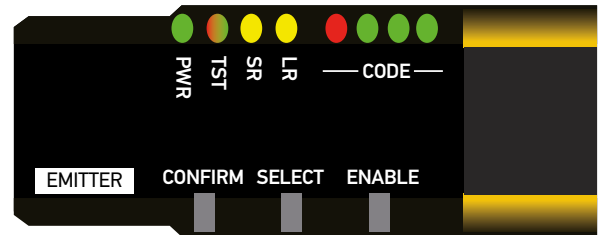
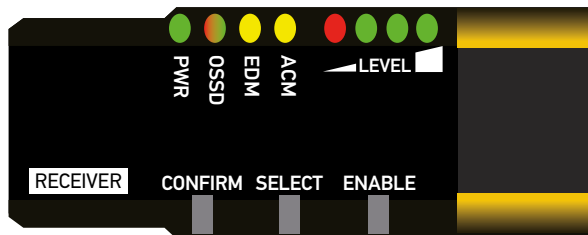
VERSION	
W	Basic Configuration Mode
P	Cascadable Advanced Configuration Mode Programmable with GUI
N	SG4-N: muting function with single main connector

# TECHNICAL DATA

	SG2 MUTING [SG2-30-xxx-00-W]	SG4 EXTENDED [SG4-xx-xxx-00-P]	SG4-N [SG4-xx-xxx-00-N]
<b>GENERAL DATA</b>			
<b>Type (EN61496-1-2)</b>	2		4
<b>PL (EN ISO 13849-1)</b>	c		e
<b>SIL (IEC 61508)</b>	1		3
<b>Resolution</b>	30 mm		14, 30 mm
<b>Protected height</b>	300 ... 1800 mm (with 150 mm steps)		
<b>Operating distance</b>	0.2 ... 20 m	0.2 ... 7 m (14 mm resolution) 0.2 ... 20 m (30 mm resolution)	
<b>Dead Zone</b>	No dead zone		
<b>Cascade connection</b>	---	Up to 3 units	---
<b>ELECTRICAL DATA</b>			
<b>Power supply (Vdd)</b>	24 Vdc ± 20		
<b>Outputs</b>	2 PNP, with short circuit protection 2 PNP		
<b>Output current</b>	0.5 A max/each output		
<b>Capacitive load</b>	2.2 µF @ 24Vdc max		
<b>Response time</b>	13 ... 22 ms depending on model *	13 ... 33 ms depending on model *	15 ... 33 ms depending on model *
<b>Cables length (for power supply)</b>	50 m max		
<b>MECHANICAL AND ENVIRONMENTAL DATA</b>			
<b>Operating temperature</b>	0 ... +50 °C		
<b>Humidity</b>	15 ... 95 % (no condensation)		
<b>Mechanical protection</b>	IP 65 (EN 60529)		
<b>Housing Material</b>	Painted aluminium, Polycarbonate, PBT		
<b>Window material</b>	PMMA		
<b>FUNCTIONS</b>			
	Test input		
	Manual/Automatic Restart		
	External Device Monitoring (EDM)		
	Anti-interference coding		
	Range reduction		
	T Muting/L Muting		
	---	Partial Muting	
	---	Filter on muting signals	
	Muting dependent Override		
	Floating Blanking		---
	Fixed Blanking		---
<b>Max. Number of Blanking Areas</b>	2	5	---
	---	Reduced Resolution	---
<b>NOTES</b>			
* The response time depends on model; when a cascaded system is used, depends also on the number of units connected. For detailed informations refer to related Product Datasheet or Manual.			
1) The use of any type of blanking is not compatible with the use of Muting and Muting dependent Override.			
2) In order to use Muting or Blanking with SG4 EXTENDED, the correct pigtail cable must be used (see accessories table)			



## INDICATORS



## AVAILABLE MODELS AND ORDER CODES

	SG2 MUTING [SG2-30-XXX-00-W]	ORDER NUM- BER	SG4 EXTENDED [SG4-XX-XXX-00-P]	ORDER NUM- BER	SG4-N [SG4-XX-XXX-00-N]	ORDER NUM- BER
FINGER PROTECTION	---		SG4-14-030-00-P	957901240	SG4-14-030-00-N	957902350
	---		SG4-14-045-00-P	957901250	SG4-14-045-00-N	957902360
	---		SG4-14-060-00-P	957901260	SG4-14-060-00-N	957902370
	---		SG4-14-075-00-P	957901270	SG4-14-075-00-N	957902380
	---		SG4-14-090-00-P	957901280	SG4-14-090-00-N	957902390
	---		SG4-14-105-00-P	957901290	SG4-14-105-00-N	957902400
	---		SG4-14-120-00-P	957901300	SG4-14-120-00-N	957902410
	---		SG4-14-135-00-P	957901310	SG4-14-135-00-N	957902420
	---		SG4-14-150-00-P	957901320	SG4-14-150-00-N	957902430
HAND PROTECTION	---		SG4-14-165-00-P	957901330	SG4-14-165-00-N	957902440
	---		SG4-14-180-00-P	957901340	SG4-14-180-00-N	957902450
	SG2-30-030-00-W	957801700	SG4-30-030-00-P	957901350	SG4-30-030-00-N	957902460
	SG2-30-045-00-W	957801710	SG4-30-045-00-P	957901360	SG4-30-045-00-N	957902470
	SG2-30-060-00-W	957801720	SG4-30-060-00-P	957901370	SG4-30-060-00-N	957902480
	SG2-30-075-00-W	957801730	SG4-30-075-00-P	957901380	SG4-30-075-00-N	957902490
	SG2-30-090-00-W	957801740	SG4-30-090-00-P	957901390	SG4-30-090-00-N	957902500
	SG2-30-105-00-W	957801750	SG4-30-105-00-P	957901400	SG4-30-105-00-N	957902510
	SG2-30-120-00-W	957801760	SG4-30-120-00-P	957901410	SG4-30-120-00-N	957902520
	SG2-30-135-00-W	957801770	SG4-30-135-00-P	957901420	SG4-30-135-00-N	957902530
SG2-30-150-00-W	957801780	SG4-30-150-00-P	957901430	SG4-30-150-00-N	957902540	
SG2-30-165-00-W	957801790	SG4-30-165-00-P	957901440	SG4-30-165-00-N	957902550	
SG2-30-180-00-W	957801800	SG4-30-180-00-P	957901450	SG4-30-180-00-N	957902560	

### NOTES

\* The light curtain SG4 EXTENDED and SG2 MUTING are sold without pigtail cables : they must be ordered separately for Transmitter and Receiver.  
In case of SG4 EXTENDED, the choice of the Receiver pigtail determines in Muting configuration or Blanking configuration.  
For cascade configurations, other cables are available to connect the cascaded units: refer to accessories table.