

SR23



HIGH EFFICIENCY FORK SENSOR FOR BOOKLET AND MULTILAYER LABELS DETECTION

- Multilayer labels detection
- Up to 0,5 mm of minimum size labels/gap
- 5 mm slot width
- 50 mm slot depth
- Dynamic or static setting through single push-button
- 12 kHz switching frequency
- Compact and robust housing, IP65
- M8 connector or 2 m cable models
- PNP or NPN models



APPLICATIONS

- Processing and Packaging machinery
- Automatic labelers

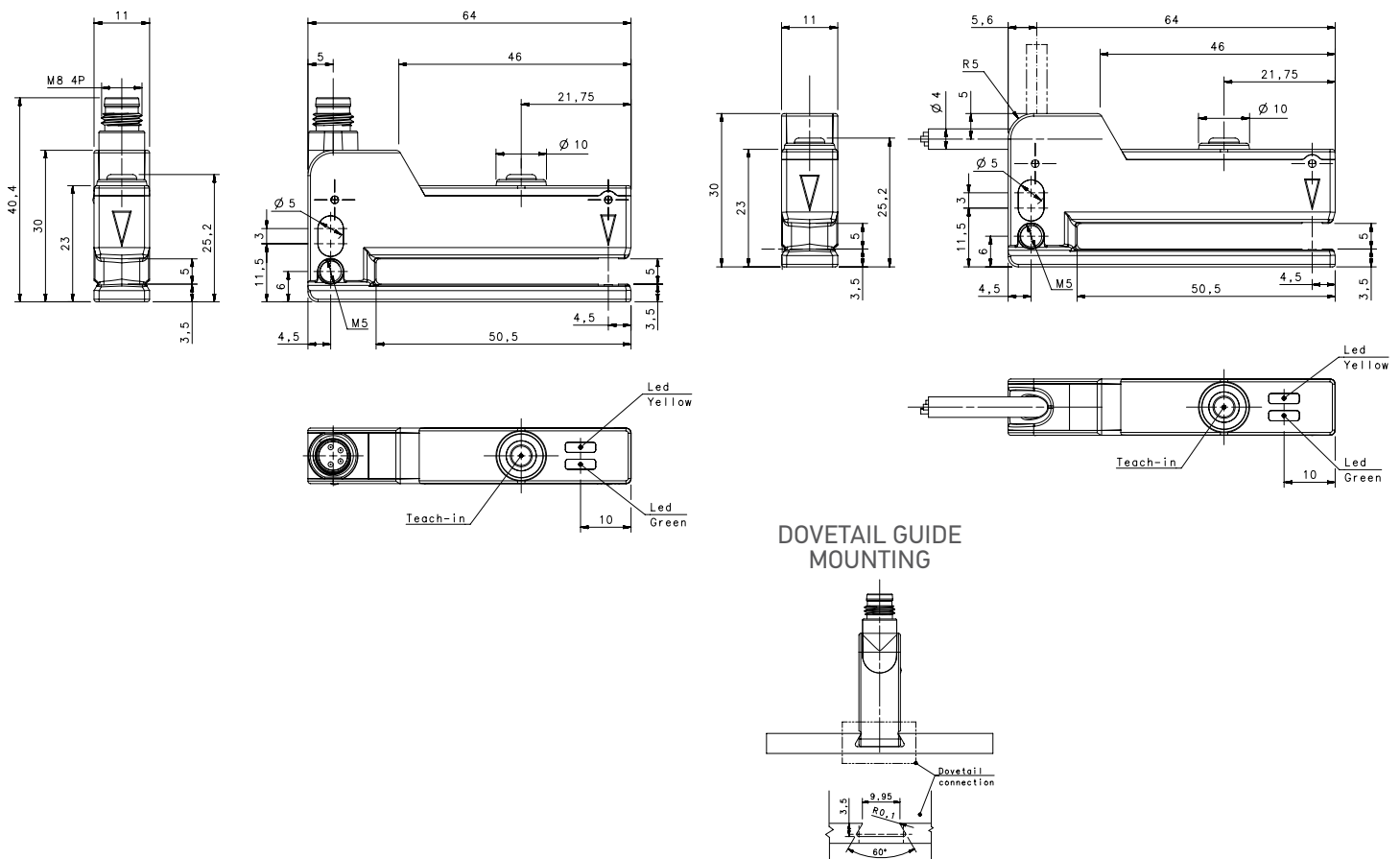
SR23

| | | |
|------------------------------------|-----------|--------------------------------|
| Slot width | | 5 mm |
| Slot depth | | 50 mm |
| Switching frequency | | 12 kHz |
| Light emission | | IR LED |
| Setting | | push button |
| Power supply | Vdc | 10...30 Vdc |
| | Vac | |
| | Vac/dc | |
| Output | PNP | • |
| | NPN | • |
| | NPN/PNP | |
| | relay | |
| | other | |
| Connection | cable | • |
| | connector | • |
| | pig-tail | |
| Approximate dimensions (mm) | | 30x63x10 |
| Housing material | | Aluminum (Zama), Plastic (PBT) |
| Mechanical protection | | IP65 |

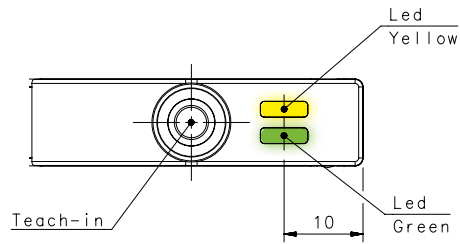
TECHNICAL DATA

| | |
|---|--|
| Power supply | 10 ... 30 Vdc (reverse polarity protection) |
| Ripple | 2 Vpp max. |
| Consumption (output current excluded) | 30 mA max. |
| Light emission | IR LED 850 nm |
| Setting | SET push-button |
| Indicators | yellow OUTPUT LED green READY LED |
| Output | PNP or NPN |
| Output current | 100 mA max. |
| Saturation voltage | 2 V max. |
| Slot width | 5 mm |
| Slot depth | 50 mm |
| Minimum label width | 0,5...2 mm |
| Minimum space between labels | 0,5...2 mm |
| Speed of the conveyor during setting procedure | 20 m/min (30 cm/s) max. |
| Response time | 40 µs max. |
| Switching frequency | 12 kHz max. |
| Connection | M8 4-pole connector, 2 m cable |
| Dielectric strength | 500 Vac, 1 min between electronics and housing |
| Insulating resistance | > 20 MΩ, 500 Vdc between electronics and housing |
| Mechanical protection | IP65 |
| Ambient light rejection | according to EN 60947-5-2 |
| Vibrations | 0,5 mm amplitude, 10 ... 55 Hz frequency, for every axis (EN60068-2-6) |
| Shock resistance | 11 ms (30 G) 6 shock for every axis (EN60068-2-27) |
| Housing material | Aluminum (Zama) |
| Cover material | PBT |
| Lens material | PC |
| Operating temperature | -20 ... 55°C |
| Storage temperature | -20 ... 70°C |
| Weight | 85 g cable vers., 46 g M8 conn. vers. |

DIMENSIONS

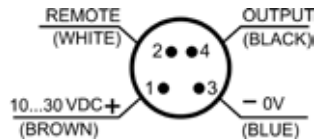


INDICATORS AND SETTINGS

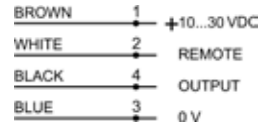


CONNECTIONS

M8 CONNECTOR



CABLE



MODEL SELECTION AND ORDER INFORMATION

| OPTIC FUNCTION | CONNECTION | OUTPUT | MODEL | ORDER No. |
|----------------|--------------|--------|--------------|-----------|
| Fork Sensor | 2m Cable | PNP | SR23-2-IR-PH | 953161000 |
| | | NPN | SR23-2-IR-NH | 953161020 |
| | M8 Connector | PNP | SR23-5-IR-PH | 953161010 |
| | | NPN | SR23-5-IR-NH | 953161030 |

CABLES

| TYPE | DESCRIPTION | LENGTH | MODEL | ORDER No. |
|---------------------|----------------------|--------|---------------|-----------|
| Axial M8 Connector | 4-pole, grey, P.V.C. | 3 m | CS-B1-02-G-03 | 95A251420 |
| | | 5 m | CS-B1-02-G-05 | 95A251430 |
| | | 7 m | CS-B1-02-G-07 | 95A251440 |
| | | 10 m | CS-B1-02-G-10 | 95A251480 |
| | 4-pole, P.U.R. | 2 m | CS-B1-02-R-02 | 95A251620 |
| | | 5 m | CS-B1-02-R-05 | 95A251640 |
| Radial M8 Connector | 4-pole, grey, P.V.C. | 3 m | CS-B2-02-G-03 | 95A251450 |
| | | 5 m | CS-B2-02-G-05 | 95A251460 |
| | | 7 m | CS-B2-02-G-07 | 95A251470 |
| | | 10 m | CS-B2-02-G-10 | 95A251530 |
| | 4-pole, P.U.R. | 2 m | CS-B2-02-R-02 | 95A251630 |
| | | 5 m | CS-B2-02-R-05 | 95A251650 |