

STRUT CHANNEL: PRE-PUNCHED

SLOTS

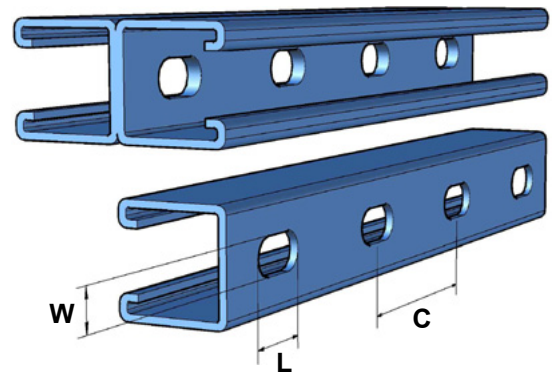
Sasco's Slotted Strut Channels provide adjustment for wall mounting, constructing trapeze supports and other suspension and mounting applications. Available in most single and back to back steel and stainless steel sizes and finishes. Slotted aluminum available in single channel only.

Catalogue Suffix	Slot Size				Centres (C)	
	(W) (Inches)	(mm)	(L) (Inches)	(mm)	(Inches)	(mm)
SL2	9/16	14.3	1 1/8	28.6	2	50.8
SL4	13/32	10.3	3	76.2	4	101.6
SL6	11/16	17.5	1 1/8	28.6	4	101.6
SL9	9/16	14.3	3	76.2	4	101.6

Custom Lengths: slotted strut channel strut can be cut to custom lengths at the factory. Standard lengths are 10 feet (-120) and 20 feet (-240). See below for detail.

Standard finish for steel is pre-galvanized (-G). Also available in hot dip galvanized (HG) and in plain steel (P). For availability of slots in stainless steel (SS), aluminum (AL) and fibreglass (FG), please consult Sasco.

Add suffix above, finish and length in inches to Channel Prefix for catalogue number (S2SL2-G120).

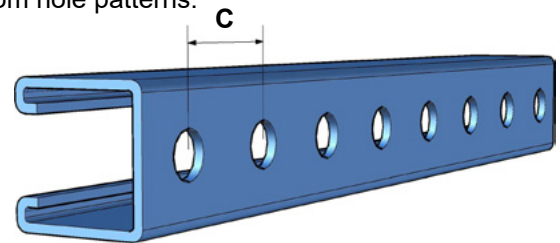


HOLES

Sasco's Pre-Punched Strut Channels facilitate installation of wall mounts, trapeze hangers and other suspension and mounting applications. Contact Sasco for availability of custom hole patterns.

Catalogue Suffix	Hole Diameter		Centres (C)	
	(Inches)	(mm)	(Inches)	(mm)
H112	9/16	14.3	1 1/2	38.1
H8	9/16	14.3	8	203.2

Add suffix above, finish and length in inches to Channel Prefix for Catalogue No. (S2H112-G120).



CUSTOM LENGTHS

Sasco Strut Channel can be manufactured to custom lengths at the factory in a variety of materials, finishes and pre-punched patterns. Efficiencies are gained by eliminating errors on-site, reducing consumables in the field, and streamlining site delivery.

Note: the best production efficiency of Pre-Punched and Slotted Strut Channel is achieved when lengths are in multiples of the slot pattern centres "C" shown above.

A cost-effective option. Please consult Sasco for details.

STRUT CHANNEL: PRE-PUNCHED

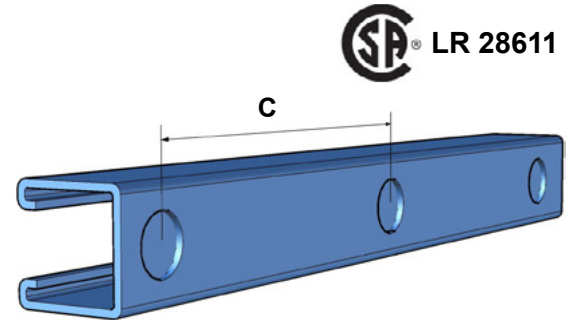
KNOCK-OUT

Sasco Knock-Out Channels are CSA certified for use as electrical raceways when used as outlined on [page 38](#). Knock-outs are 7/8" (22.2 mm) diameter on 6" (152.4 mm) centres (C). Only available in S2 strut channel.

Custom Lengths: single channel strut can be cut to custom lengths at the factory. See [page 7](#) for detail.

Standard finish is pre-galvanized (G).

Add suffix **KO6**, finish and length in inches to Channel Prefix for Catalogue Number (S2KO6G-120).



STRUT CHANNEL: MINI

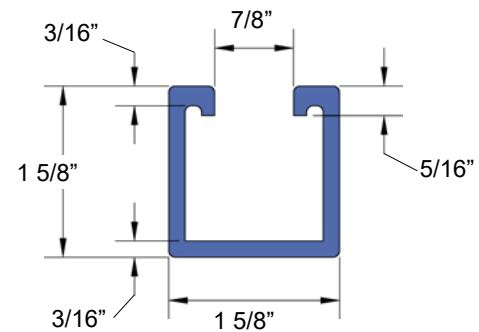
Sasco offers a selection of Mini Strut Channels 13/16" wide. See [page 43](#) for more information and fittings.

STRUT CHANNEL: FIBREGLASS

Catalogue Prefix	Height		Side Wall Thickness (Inches)
	(Inches)	(mm)	
S2FG	1 5/8	41.28	0.1875

Available standard in polyester resin (-P) and upon request in vinylester resin (-V). Consult Sasco for engineering and corrosion data. Standard length is 10 feet (-120). Custom lengths available.

Add resin type and length in inches to Catalogue Prefix when ordering (S2FG-P-120).



S2FG END PROFILE

CLOSURE STRIP

Sasco Closure Strip is designed to snap into the continuous slot of all 1 5/8" wide Srtut Channels including steel, stainless steel, aluminum and fibreglass. Due to the design of the self-retaining feature, Sasco Closure Strip can be removed by prying with a tool, such as a screw driver.

S158CS-G Pregalvanized steel, CSA certified for use on electrical raceways when used as outlined on [page 38](#).

S158CSPLAS Grey plastic (Rigid PVC), not CSA certified.

Sasco Closure Strip comes in 10' (3,048 mm) lengths.

