

## Small utility enclosures

The 1100 are used where the control installation does not demand a high degree of protection (such as watertight or dust tight), but where a quality enclosure is warranted. Boxes and covers are made from quality code gauge steel. The enclosures feature die cast hinges, which are bound to the cover by an exclusive concealed hinge pin system. The cover can be removed by

unfastening the anti-vibration lock nuts. Enclosures are closed with a ¼ turn lock that ensures tight positive closing against cushions. Four internal mounting holes are provided. Optional external mounting is available (885 ESCHMF).

**Each enclosure comes complete with a 14 GA inner panel** that mounts on weld nuts.

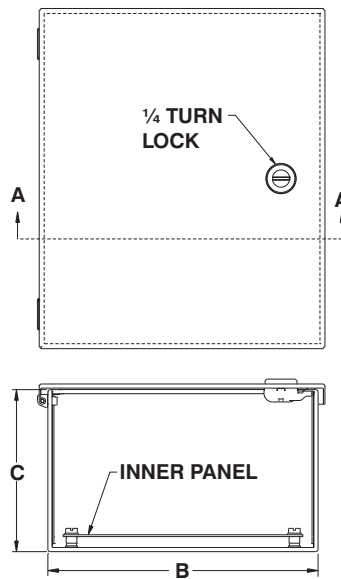
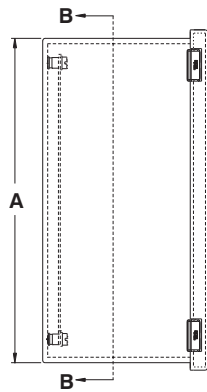
Enclosures and panels are finished

with heat fused powder paint, electrostatically applied on a pretreated base.

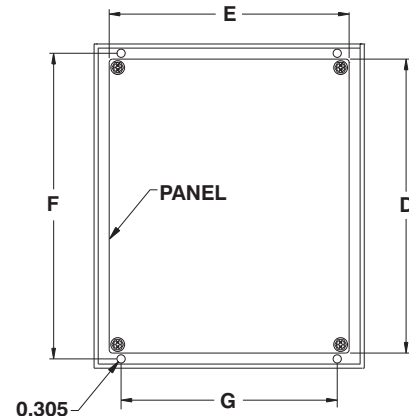
The box is ANSI/ASA 61 textured gray, the panel is white (other colors available).

**CSA Certified / UL Listed  
NEMA/EEMAC 1 / IP30**

**Refer to p.727 to validate choice of substrate for the application**



SECTION A-A



SECTION B-B



CATALOG NUMBER	DIMENSIONS							SHIP WGHT LBS.
	A	B	C	D	E	F	G	
1100 060604	6	6	4	4.88	4.88	5.312	4	4
1100 080604	8	6	4	6.88	4.88	7.312	4	4
1100 080804	8	8	4	6.88	6.88	7.312	4	4
1100 100804	10	8	4	8.88	6.88	9.312	6	7
1100 101004	10	10	4	8.88	8.88	9.312	8	8
1100 121004	12	10	4	10.88	8.88	11.31	8	9
1100 121204	12	12	4	10.88	10.88	11.31	10	11
1100 141204	14	12	4	12.88	10.88	13.31	10	12
1100 080606	8	6	6	6.88	4.88	7.312	4	5
1100 080806	8	8	6	6.88	6.88	7.312	6	7
1100 100806	10	8	6	8.88	6.88	9.312	6	8
1100 101006	10	10	6	8.88	8.88	9.312	8	9
1100 121006	12	10	6	10.88	8.88	11.31	8	11
1100 121206	12	12	6	10.88	10.88	11.31	10	12
1100 141206	14	12	6	12.88	10.88	13.31	10	14
1100 161206	16	12	6	14.88	10.88	15.31	10	16
1100 121208	12	12	8	10.88	10.88	11.31	10	14
1100 141208	14	12	8	12.88	10.88	13.31	10	16
1100 161208	16	12	8	14.88	10.88	15.31	10	17

Data subject to change without notice.

