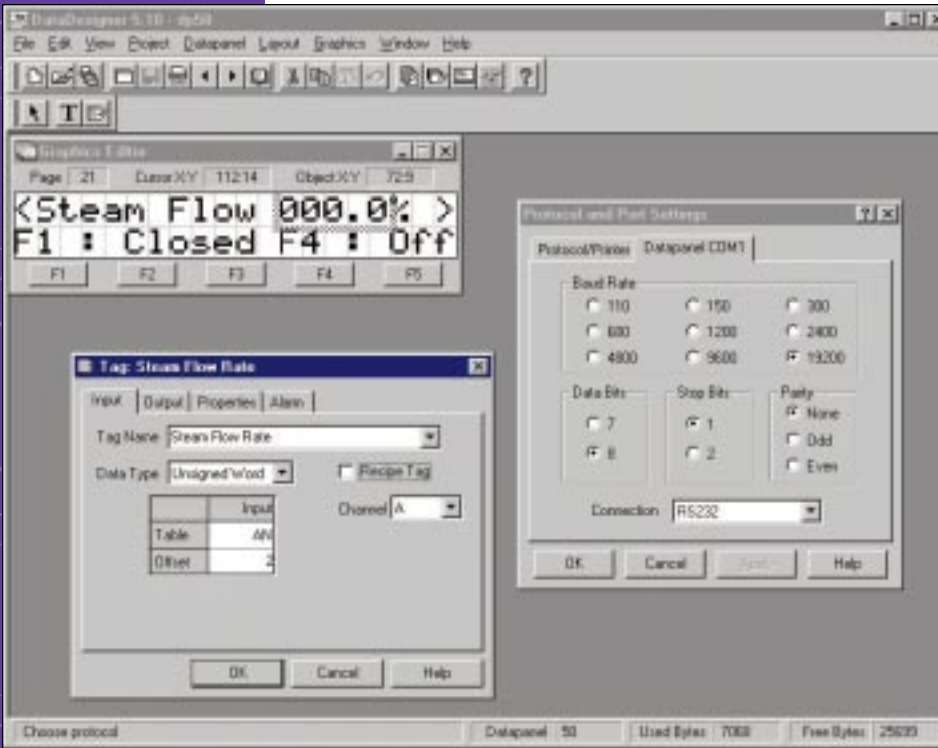


Operator Interface Options



GE Fanuc VersaMax DataPanels are ideal for a broad range of applications ranging from a simple Timer/Counter/Register Access to full text message display with numeric keypad. All of the VersaMax DataPanels are preprogrammed to quickly connect to a VersaMax Micro or Nano without user configuration. The VersaMax DataPanels are cost effective solutions.

Key Features:

- Programmable function/numeric keys
- Up to 200 messages
- Navigation and edit keys
- Programmable LEDs
- Alarm, recipes, and menu support
- VersaMax Micro and Nano ready

DataDesigner Software enables you to design your text messages quickly using simple dialog prompts.

Specifications

Model	DP20	DP45	DP65	DP85
Part Number	IC200DTX200	IC200DTX450	IC200DTX650	IC200DTX850
Dimensions—Width x Height x Depth (mm)	108 x 60 x 30	110 x 60 x 60	96 x 96 x 50	182 x 101 x 37
Cut Out—Width x Height (mm)	92 x 45	92 x 45	92 x 92	158 x 74
Characters Per Line and Number of Lines	16 x 2	16 x 2	16 x 4	20 x 4
Display Type	← LCD Display with LED Backlight →			
Function Keys	0	6	8	8
Numeric Keypad	No	No	Yes	Yes
Operating Temperature	← 0-50C →			
Powered by Serial Cable from PLC	Yes	No	No	No
Serial Port	← RS-232 →			
Power Requirements	5 V @ 100 ma	24 V @ 40 ma	24 V @ 80 ma	24 V @ 50 ma
Agency	← UL, Class 1 Div 2, FCC and CE →			
NEMA Rating	← NEMA 4 →			
Memory Size (Number of Messages)	N/A	200	200	200
Programming Software	← DataDesigner Part # IC752DDZ000 →			



DP 20
Quickly change timer/counter and register values

Alarm messages and information messages can be sent from the controller to the DP 20 using the Serial Write command.



DP 45
• 6 function keys
• Stores 200 messages
• 2 line display



VersaMax Micro



DP 65
• 8 function keys
• Stores 200 messages
• 4 line display



DP 85
• 8 function keys and data entry keypad
• Stores 200 messages
• 4 line display

Applications Requiring:

2 serial ports with 16 discrete Inputs, 12 discrete outputs also applications requiring 2 Analog in 1 Analog out

Expandable up to 84 I/O:

VersaMax Micro Controller Options:

(16) 24 VDC Inputs and (12) 24 VDC Outputs, 24 VDC Power Supply: Part # IC200UDD110

(16) 24 VDC Inputs, (1) 24 VDC Output and (11) Relay Outputs, 24 VDC Power Supply: Part # IC200UDR010

(16) 24 VDC Inputs, (1) 24 VDC Output and (1) Relay Outputs, 120/220 VAC Power Supply: Part # IC200UDR005

(16) 120 VAC Inputs and (12) 120 VAC Outputs, 120/220 VAC Power Supply: Part # IC200UAA007

(13) 24 VDC Inputs, (1) 24 VDC Output and (9) Relay Outputs,
(2) Analog Inputs, (1) Analog Output, 120/220 VAC Power Supply: Part # IC200UAL006

Real Time Clock and Long Term Data Retention require battery: Part # IC200ACC403

See page 13 for more details.

VersaMax Micro Expansion Options: (Max. of 4 Units)

(8) 24 VDC Inputs and (6) 24 VDC Outputs, 24 VDC Power Supply: Part # IC200UEX014

(8) 24 VDC Inputs and (6) Relay Outputs, 24 VDC Power Supply: Part # IC200UEX012

(8) 24 VDC Inputs and (6) Relay Outputs, 120/220 VAC Power Supply: Part # IC200UEX011

Expansion Cable Options:

(0.1 meter cable is included with expansion base)

0.5 meter cable: Part # IC200CBL505

1.0 meter cable: Part # IC200CBL510



VersaMax
Micro 28 point



VersaMax
Expansion Unit

Programming, Communications and Operator Interface Options:

Programming Options: (see page 9 for more details)

VersaPro Programming Software without RS-232 cable: Part # IC641VPS002

VersaPro Programming Software with RS-232 cable (IC200CBL500):
Part # IC640VPS002

Communications Options: (see page 6 for more details)

RS-232 to RS-485 Converter: Part # IC200ACC415

RS-485 to RS-232 Converter: Part # IC690ACC901

RS-485 to RS-485 Isolator: Part # IC690ACC903

Programming Cable: Part # IC200CBL500
and comm cable

Operator Interface Options: (see page 10 for more details)

Timer/Counter/Register Access interface with 2 x 16 character display:
Part # IC200DTX200

2 x 16 character display, stores up to 200 messages and has 6 function keys:
Part # IC200DTX450

4 x 16 character display, stores up to 200 messages and has 8 function keys:
Part # IC200DTX650

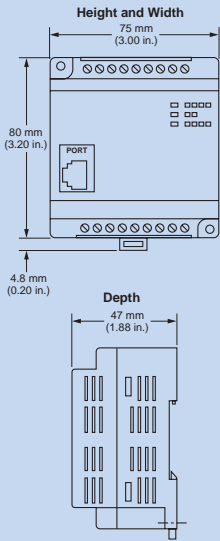
4 x 20 character display, stores up to 200 messages and has 8 function keys
and data keypad: Part # IC200DTX850

VersaMax Data Panel programming package with cable:
Part # IC752DDZ000

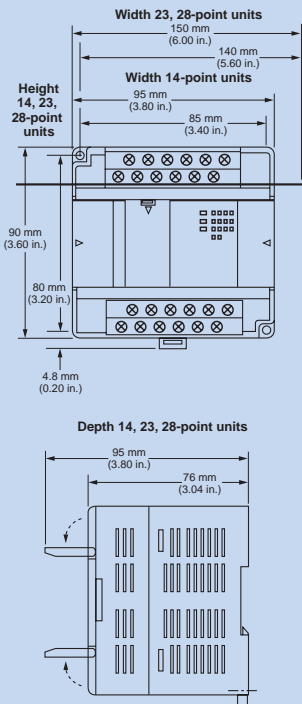
Communications Cable between VersaMax Micro or Nano and
VersaMax DataPanel operator interface:
Part # IC200CBL550

Panel Mounting Dimensions

Dimensions of Nano PLCs



Dimensions of 14, 23, and 28-Point Micro PLCs and 14-Point Expansion Units



VersaMax Micro and Nano Components

Part Number	Description	Part Number	Description
Nano (10 Point) non expandable			
IC200NDD101	10 point (6) 24 VDC In, (4) 24 VDC Out, 24 VDC Power Supply	VersaMax Micro and Nano I/O Expansion/Communication Cables and Converters	
IC200NDR001	10 point (6) 24 VDC In, (4) Relay Out, 24 VDC Power Supply	IC200CBL500	Programming cable (RJ-45 to DB-9 pin) RS-232. 3 Meters.
VersaMax Micro (14 Point) expandable up to 4 units			
IC200UAA003	14 point (8) 120 VAC In, (6) 120 VAC Out, 120/240 VAC Power Supply	IC690ACC901	RS-485 to RS-232 Converter
IC200UDD104	14 point (8) 24 VDC In, (6) 24 VDC Out, 2 1.0 A, 4 0.5A, 24 VDC Power Supply	IC200ACC415	RS-232 to RS-485 Converter requires IC200CBL500 or equivalent.
IC200UDR001	14 point (8) 24 VDC In, (6) Relay Out, 120/240 VAC Power Supply	IC690ACC903	RS-485 to RS-485 Isolator
IC200UDR002	14 point (8) 24 VDC In, (6) Relay Out, 24 VDC Power Supply	IC200CBL501	I/O Expansion cable, 0.1 meter long (Qty 5)
VersaMax Micro (28 Point) expandable up to 4 units			
IC200UDR005	28 point: (16) 24 VDC In, (11) Relay Out, (1) 24 VDC Out, 120/240 VAC Power Supply. Battery (IC200ACC403) is required for long term data retention. Battery not included.	IC200CBL505	I/O Expansion cable, 0.5 meter long
IC200UDR010	28 point: (16) 24 VDC In, (11) Relay Out, (1) 24 VDC Out, 24 VDC Power Supply. Battery (IC200ACC403) is required for long term data retention. Battery not included.	IC200CBL510	I/O Expansion cable, 1 meter long
IC200UAA007	28 point: (16) 120 VAC In, (12) 120 VAC Out, 120/240 VAC Power Supply. Battery (IC200ACC403) is required for long term data retention. Battery not included.	VersaMax Micro Accessories	
IC200UDD110	28 point: (16) 24 VDC In, (12) 24 VDC Out 6 1.0 A, 6 0.5A, 24 VDC Power Supply. Battery (IC200ACC403) is required for long term data retention. Battery not included.	IC200ACC402	Removable Terminal Strips, 10 per pack
VersaMax Micro with Analog expandable up to 4 units			
IC200UAL006	23 point: (13) 24 VDC In, (9) Relay Out, (1) 24 VDC Out, (2) Analog In and (1) Analog Out, 120/240 VAC Power Supply. Battery (IC200ACC403) is required for data retention. Battery not included.	IC200ACC403	Battery for 23 and 28 point Micro for data retention
VersaMax Micro Expansion Units (.1 meter cable included)			
IC200UEX011	14 point (8) 24 VDC In, (6) Relay Out, 120/240 VAC Power Supply	IC200ACC404	Spare parts kit. Two terminal strips and four plastic doors and four covers
IC200UEX012	14 point (8) 24 VDC In, (6) Relay Out, 24 VDC Power Supply	IC200KIT001	The kit includes VersaPro (IC640VPS002), CAD files, programming cable, manuals and other tools to aid in the conversion process from Series 90 Micro to VersaMax Micro.
IC200UEX014	14 point (8) 24 VDC In, (6) DC Out, 24 VDC Power Supply	VersaPro Programming Software	
VersaMax Nano and Micro Tool Boxes			
IC200TBX010	Tool box, 10 point, (IC200NDR001) DC In/Relay Out, DC Power Supply With software, manuals and cables (IC640VPS002)	IC641VPS002	VersaPro programming software and documentation for VersaMax Micro and Nano Only. Programming cable not included. CD format
IC200TBX014	Tool box, 14 point, (IC200UDR001) DC In/Relay Out, AC Power Supply With software, manuals and cables (IC640VPS002)	IC640VPS002	VersaPro programming software and documentation for VersaMax Micro and Nano Only. Programming cable (IC200CBL500) included. CD format
IC200TBX023	Tool box, 23 point, (IC200UAL006) DC In/Relay Out, 2 analog In, 1 analog out, AC Power Supply With software, manuals and cables (IC640VPS002)	VersaMax Data Panel Operator Interfaces	
IC200TBX028	Tool box, 28 point, (IC200UDR005) DC In/Relay Out, AC Power Supply With software, manuals and cables (IC640VPS002)	IC200DTX200	Operator Interface for changing timer/counter/register values. 2 x 16 character LCD backlight display and 6 operation keys. No stored messaging. PLC stores messages. Requires IC200CBL550 cable or equivalent. Operates on 5 VDC @ 100ma from Micro or Nano.
		IC200DTX450	Operator Interface with up to 200 stored messages. 2 x 16 character LCD backlight display and 6 function keys. Requires IC200CBL550 cable or equivalent. Operates on external 24 VDC @ 40ma.
		IC200DTX650	Operator Interface with up to 200 stored messages. 4 x 16 character LCD backlight display and 8 function keys. Requires IC200CBL550 cable or equivalent. Operates on external 24 VDC @ 80ma.
		IC200DTX850	Operator Interface with up to 200 stored messages. 4 x 20 character LCD backlight display, 8 function keys and numeric keypad. Requires IC200CBL550 cable or equivalent. Operates on external 24 VDC @ 50ma.
		IC752DDZ000	VersaMax DataPanel programming package with cable.
		IC200CBL550	RS232 communications cable (3 meter) between VersaMax Micro or Nano and VersaMax DataPanel operator interface.

Standards: UL Class I Div II, C-UL, CE. Some approvals pending for certain models. Contact GE Fanuc for details.

© Copyright 2000 GE Fanuc Automation North America, Inc. VersaMax, VersaPro, LogicMaster and Series 90 are trademarks of GE Fanuc Automation North America, Inc. Windows and Windows NT are registered trademarks of Microsoft Corporation. All other trademarks and registered trademarks are the property of their respective owners.

For VersaMax Micro and Nano customers purchasing from GE Industrial Systems, please contact:

GE Industrial Systems
Control Components
41 Woodford Avenue
Plainville, CT 06062
(860) 747-7111

Pre-sale support 1-800 FAST155
Post-sale support 1-888 GERESOL

<http://www.ge.com/industrialsystems/products/ac/index.shtml>

www.gefanuc.com

GE Fanuc Automation



For the location of your nearest GE Fanuc sales representative or authorized distributor contact:

GE Fanuc Automation North America, Inc.
USA and Canada 1 800 648-2001
Europe (352) 727979-1
Asia Pacific 65-566-4918
Latin America (610) 437-7932
Mexico 1 800 989-1244