

N1J Series Panel Enclosure

NEMA 1

Commercial Enclosures



**Inner
Panel
Included**



Application

- Designed for indoor use to house controls, instruments and components not requiring oil-tight or dust-tight protection.

Standards

- UL-50 Type 1
- CSA Type 1
- **Complies with**
 - NEMA Type 1
 - IEC 60529, IP20

Construction

- Formed and spot welded from 16 gauge steel.
- Formed steel covers close by use of slotted quarter turn latch.
- Full swing door using butt hinges.
- Through holes in back for wall mounting.
- Bonding stud is provided on the door and a grounding stud is provided on the box.
- Includes 14 gauge steel inner panel.

Finish

- Enclosure and cover are finished in ANSI 61 gray powder coating.
- Inner panel is finished in white powder coating

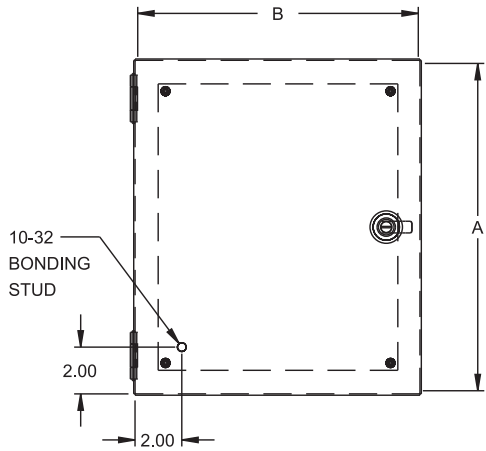
Accessories

- N1JLK Lock Kit...see page **431**

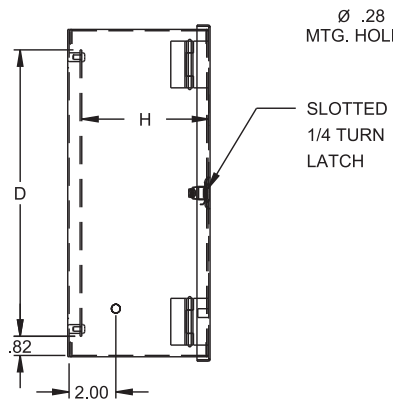
Panel Enclosures

N1J Series Panel Enclosure

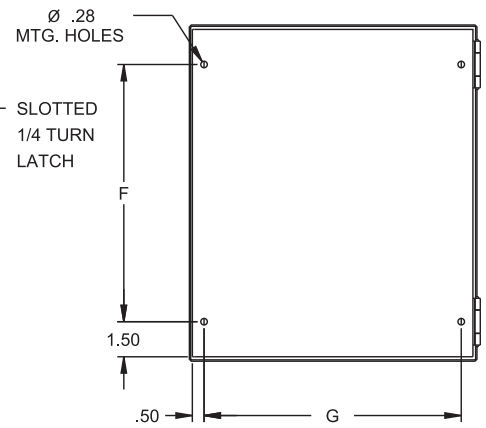
NEMA 1



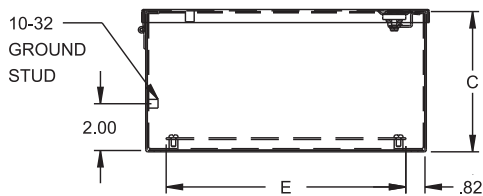
Front View



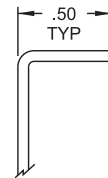
Side View



Back View



Bottom View



Body Flange Detail

Commercial Enclosures

Part No.	Overall Dimensions			Panel Size		Centers			Ship Wt. lbs.
	A	B	C	D	E	F	G	H	
N1J664	6	6	4	4.25	4.25	3.00	5.00	3.43	5
N1J864	8	6	4	6.25	4.25	5.00	5.00	3.43	6
N1J884	8	8	4	6.25	6.25	5.00	7.00	3.43	7
N1J1084	10	8	4	8.25	6.25	7.00	7.00	3.43	8
N1J10104	10	10	4	8.25	8.25	7.00	9.00	3.43	9
N1J12104	12	10	4	10.25	8.25	9.00	9.00	3.43	11
N1J12124	12	12	4	10.25	10.25	9.00	11.00	3.43	13
N1J14124	14	12	4	12.25	10.25	11.00	11.00	3.43	14
N1J886	8	8	6	6.25	6.25	5.00	7.00	5.43	7
N1J1086	10	8	6	8.25	6.25	7.00	7.00	5.43	10
N1J10106	10	10	6	8.25	8.25	7.00	9.00	5.43	11
N1J12106	12	10	6	10.25	8.25	9.00	9.00	5.43	12
N1J12126	12	12	6	10.25	10.25	9.00	11.00	5.43	15
N1J14126	14	12	6	12.25	10.25	11.00	11.00	5.43	16
N1J16126	16	12	6	14.25	10.25	13.00	11.00	5.43	16
N1J20126	20	12	6	18.25	10.25	17.00	11.00	5.43	22
N1J12128	12	12	8	10.25	10.25	9.00	11.00	7.43	17
N1J14128	14	12	8	12.25	10.25	11.00	11.00	7.43	18

Panel Enclosures