

Eclipse Series - NEMA 4, 12

Single Door Enclosures

Industrial Enclosures

Wallmount Enclosures



Single Door with latching handle



Single Door with quarter turns



Single Door with multi-point latching handle and quarter turns

Panel Sold Separately



Application

- Designed to enclose electrical and/or electronic equipment and protect against harsh, industrial environments for wallmount applications.
- Impressive styling features like hidden hinges, attractive latching systems make the Eclipse a suitable addition to any high-tech equipment installation.
- A wide range of sizes and practical accessories make this product line a complete package.

Standards

- UL 508 Type 3R, 4, and 12
- CSA Type 3R, 4, and 12
- **Complies with**
 - NEMA Type 3R, 4, and 12
 - IEC 60529, IP66

Construction

- Formed 14 or 16 gauge steel.
- Smooth, continuously welded seams ground smooth.
- Door stiffeners are provided where required for increased strength and rigidity - designed to also permit additional mounting options.
- Formed lip on enclosure to exclude flowing liquids and contaminants.
- Door latches feature the added safety of quarter turn slot requiring use of tool for opening.
- Doors may be easily removed for modifications and are interchangeable.
- Seamless poured-in place gasket.
- Collar studs provided for mounting inner panel.
- Includes hardware kit with panel mounting nuts and sealing washers for wall mounting holes.
- Bonding stud provided on door and grounding stud installed in enclosure
- Hinges are constructed from 304 stainless steel.
- Hinge pins are stainless steel.
- Quarter turn latch and multi-point handle (key lockable) are zinc diecast with black epoxy finish.
- Door alignment guide provided on 36" wide enclosures.

Finish

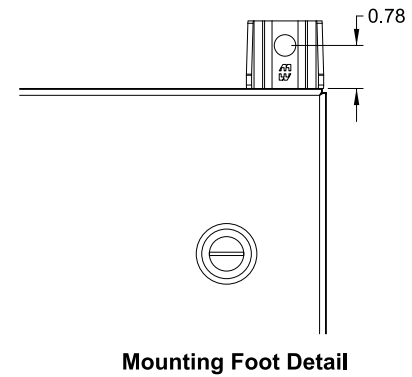
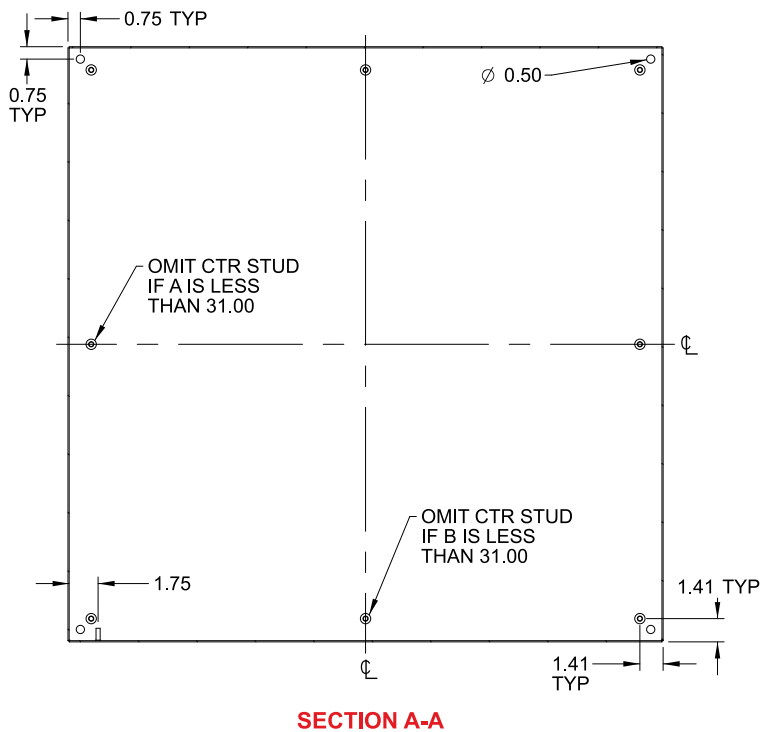
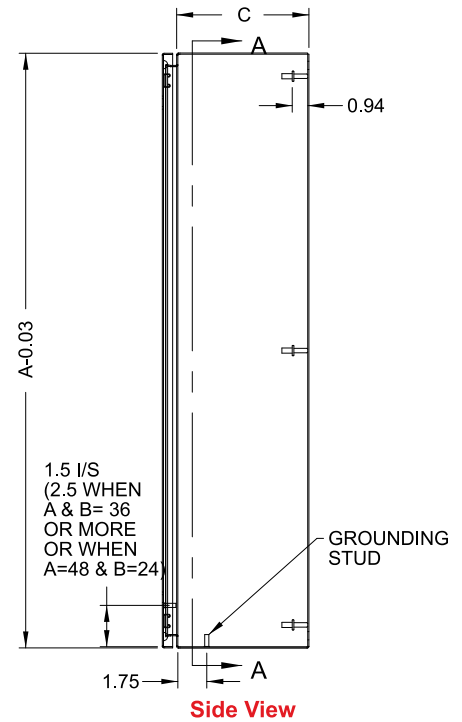
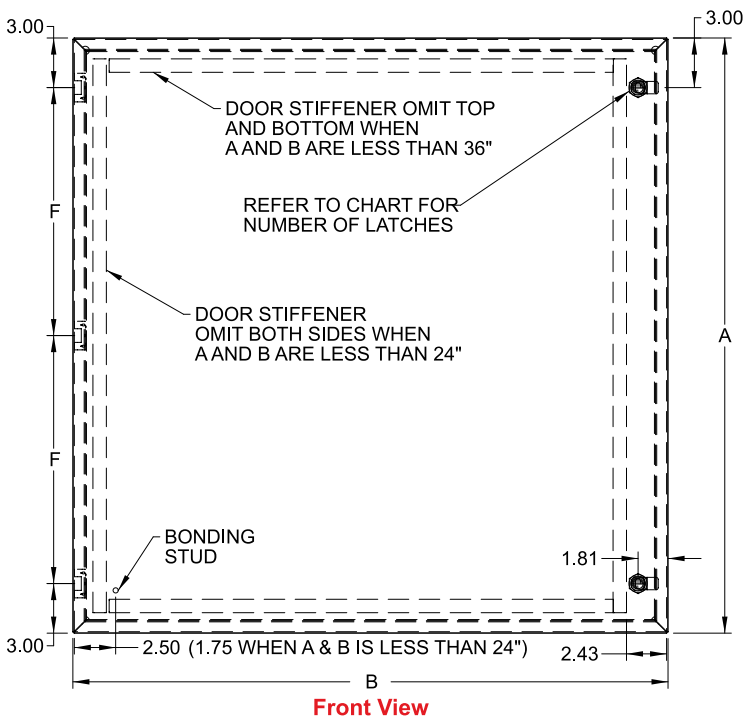
- Cover and enclosure are phosphatized and finished with a recoatable powder inside and out with choice of ANSI 61 smooth Gray (GY) or RAL7035 textured light gray (LG).

Accessories

- Air conditioners...see page [349-367](#)
- Blowers...see page [392](#)
- Breather kits...see page [400-401](#)
- DIN rails...see page [30](#)
- DIN rail mounting kit...see page [30](#)
- Door stop kit...see page [453](#)
- Drip shield kit...see page [451](#)
- Filter fans...see page [371-384](#)
- Gland Plates...see page [446](#)
- Heaters...see page [393-396](#)
- Handles...see page [31](#)
- Inner panel...see page [29](#)
- Quarter turn inserts and keys...see page [31](#)
- Literature pocket...see page [456](#)
- Mounting foot kit...see page [31](#)
- Swing frame...see page [30](#)
- Swing panel...see page [29](#)
- Rear Hole Plugs...see page [32](#)
- Replacement hinge pins...see page [29](#)
- Replacement quarter turn assemblies...see page [31](#)
- Thermostats...see page [397](#)
- Touch up paint...see page [455](#)
- UL/CSA approved hardware kit...see page [433](#)
- Padlock Adapter (EPA)...see page [434](#)

Eclipse Series - NEMA 4, 12

Single Door Enclosures



Refer to part number and dimension chart on next page

Eclipse Series - NEMA 4, 12

Single Door Enclosures

Industrial Enclosures

Walmount Enclosures

Part No. (ANSI 61 Gray)	Part No. (RAL7035 Light Gray)	Overall Dimensions			Door/ Body Gauge	Latches		Opt. Panel Part No.	Panel Size		# Hinges	F	Ship Wt. Lbs.
		A	B	C		Qty	Type		D	E			
EN4SD12126GY	EN4SD12126LG	12	12	6	16	1	Qtr Turn	EP1212	10.2	10.2	2	6	12
EN4SD12246GY	EN4SD12246LG	12	24	6	16	1	Qtr Turn	EP1224	10.2	22.2	2	18	24
EN4SD16126GY	EN4SD16126LG	16	12	6	16	1	Qtr Turn	EP1612	14.2	10.2	2	10	16
EN4SD16166GY	EN4SD16166LG	16	16	6	16	1	Qtr Turn	EP1616	14.2	14.2	2	10	19
EN4SD16206GY	EN4SD16206LG	16	20	6	16	1	Qtr Turn	EP1620	14.2	18.2	2	10	22
EN4SD20126GY	EN4SD20126LG	20	12	6	16	1	Qtr Turn	EP2012	18.2	10.2	2	14	20
EN4SD20166GY	EN4SD20166LG	20	16	6	16	1	Qtr Turn	EP2016	18.2	14.2	2	14	22
EN4SD20206GY	EN4SD20206LG	20	20	6	16	1	Qtr Turn	EP2020	18.2	18.2	2	14	26
EN4SD20246GY	EN4SD20246LG	20	24	6	16	1	Qtr Turn	EP2412	22.2	10.2	2	14	32
EN4SD24126GY	EN4SD24126LG	24	12	6	16	1	Qtr Turn	EP2412	22.2	10.2	2	18	24
EN4SD24166GY	EN4SD24166LG	24	16	6	16	1	Qtr Turn	EP2416	22.2	14.2	2	18	26
EN4SD24206GY	EN4SD24206LG	24	20	6	16	1	Qtr Turn	EP2420	22.2	18.2	2	18	30
EN4SD24246GY	EN4SD24246LG	24	24	6	14	2	Qtr Turn	EP2424	22.2	22.2	2	18	37
EN4SD30166GY	EN4SD30166LG	30	16	6	14	2	Qtr Turn	EP3016	28.2	14.2	3	12	35
EN4SD30206GY	EN4SD30206LG	30	20	6	14	2	Qtr Turn	EP3020	28.2	18.2	3	12	38
EN4SD30246GY	EN4SD30246LG	30	24	6	14	2	Qtr Turn	EP3024	28.2	22.2	3	12	40
EN4SD36246GY	EN4SD36246LG	36	24	6	14	2	Qtr Turn	EP3624	34.2	22.2	3	15	52
EN4SD36306GY	EN4SD36306LG	36	30	6	14	2	Qtr Turn	EP3630	34.2	28.2	3	15	60
EN4SD12248GY	EN4SD12248LG	12	24	8	16	1	Qtr Turn	EP1224	10.2	22.2	2	6	25
EN4SD16128GY	EN4SD16128LG	16	12	8	16	1	Qtr Turn	EP1612	14.2	10.2	2	10	16
EN4SD16168GY	EN4SD16168LG	16	16	8	16	1	Qtr Turn	EP1616	14.2	14.2	2	10	21
EN4SD16208GY	EN4SD16208LG	16	20	8	16	1	Qtr Turn	EP1620	14.2	18.2	2	10	25
EN4SD20128GY	EN4SD20128LG	20	12	8	16	1	Qtr Turn	EP2012	18.2	10.2	2	14	22
EN4SD20168GY	EN4SD20168LG	20	16	8	16	1	Qtr Turn	EP2016	18.2	14.2	2	14	25
EN4SD20208GY	EN4SD20208LG	20	20	8	16	1	Qtr Turn	EP2020	18.2	18.2	2	14	28
EN4SD20248GY	EN4SD20248LG	20	24	8	16	1	Qtr Turn	EP2024	18.2	22.2	2	14	32
EN4SD24128GY	EN4SD24128LG	24	12	8	16	1	Qtr Turn	EP2412	22.2	10.2	2	18	25
EN4SD24168GY	EN4SD24168LG	24	16	8	16	1	Qtr Turn	EP2416	22.2	14.2	2	18	26
EN4SD24208GY	EN4SD24208LG	24	20	8	16	1	Qtr Turn	EP2420	22.2	18.2	2	18	32
EN4SD24248GY	EN4SD24248LG	24	24	8	14	2	Qtr Turn	EP2424	22.2	22.2	2	18	40
EN4SD24308GY	EN4SD24308LG	24	30	8	14	2	Qtr Turn	EP2430	22.2	28.2	2	18	48
EN4SD30128GY	EN4SD30128LG	30	12	8	14	2	Qtr Turn	EP3012	28.2	10.2	3	12	34
EN4SD30168GY	EN4SD30168LG	30	16	8	14	2	Qtr Turn	EP3016	28.2	14.2	3	12	40
EN4SD30208GY	EN4SD30208LG	30	20	8	14	2	Qtr Turn	EP3020	28.2	18.2	3	12	42
EN4SD30248GY	EN4SD30248LG	30	24	8	14	2	Qtr Turn	EP3024	28.2	22.2	3	12	46
EN4SD30308GY	EN4SD30308LG	30	30	8	14	2	Qtr Turn	EP3030	28.2	28.2	3	12	67
EN4SD30368GY	EN4SD30368LG	30	36	8	14	2	Qtr Turn	EP3036	28.2	34.2	3	12	77
EN4SD36248GY	EN4SD36248LG	36	24	8	14	2	Qtr Turn	EP3624	34.2	22.2	3	15	55
EN4SD36308GY	EN4SD36308LG	36	30	8	14	2	Qtr Turn	EP3630	34.2	28.2	3	15	77
EN4SD36368GY	EN4SD36368LG	36	36	8	14	2	Qtr Turn	EP3636	34.2	34.2	3	15	94
EN4SD42248GY	EN4SD42248LG	42	24	8	14	1	3-point	EP4224	40.2	22.2	4	12	80
EN4SD42308GY	EN4SD42308LG	42	30	8	14	1	3-point	EP4230	40.2	28.2	4	12	95
EN4SD42368GY	EN4SD42368LG	42	36	8	14	1	3-point	EP4236	40.2	34.2	4	12	105
EN4SD48248GY	EN4SD48248LG	48	24	8	14	1	3-point	EP4824	46.2	22.2	4	14	110
EN4SD48308GY	EN4SD48308LG	48	30	8	14	1	3-point	EP4830	46.2	28.2	4	14	115
EN4SD48368GY	EN4SD48368LG	48	36	8	14	1	3-point	EP4836	46.2	34.2	4	14	120
EN4SD60368GY	EN4SD60368LG	60	36	8	14	1	3-point	EP6036	58.2	34.2	4	18	150
EN4SD161210GY	EN4SD161210LG	16	12	10	16	1	Qtr. Turn	EP1612	14.2	10.2	2	10	18
EN4SD161610GY	EN4SD161610LG	16	16	10	16	1	Qtr. Turn	EP1616	14.2	14.2	2	10	23
EN4SD162010GY	EN4SD162010LG	16	20	10	16	1	Qtr. Turn	EP1620	14.2	18.2	2	10	28
EN4SD201610GY	EN4SD201610LG	20	16	10	16	1	Qtr. Turn	EP2016	18.2	14.2	2	14	28
EN4SD202010GY	EN4SD202010LG	20	20	10	16	1	Qtr. Turn	EP2020	18.2	18.2	2	14	31
EN4SD202410GY	EN4SD202410LG	20	24	10	16	1	Qtr. Turn	EP2024	18.2	22.2	2	14	36
EN4SD241210GY	EN4SD241210LG	24	12	10	16	1	Qtr Turn	EP2412	22.2	10.2	2	18	26

Technical references and CAD downloads available at www.hammondmfg.com

All dimensions in inches unless specified otherwise

Eclipse Series - NEMA 4, 12

Single Door Enclosures

Part No. (ANSI 61 Gray)	Part No. (RAL7035 Light Gray)	Overall Dimensions			Door/ Body Gauge	Latches		Opt. Panel Part No.	Panel Size		# Hinges	F	Ship Wt. Lbs.
		A	B	C		Qty	Type		D	E			
EN4SD241610GY	EN4SD241610LG	24	16	10	16	1	Qtr. Turn	EP2416	22.2	14.2	2	18	30
EN4SD242010GY	EN4SD242010LG	24	20	10	16	1	Qtr. Turn	EP2420	22.2	18.2	2	18	36
EN4SD242410GY	EN4SD242410LG	24	24	10	14	2	Qtr. Turn	EP2424	22.2	22.2	2	18	45
EN4SD243010GY	EN4SD243010LG	24	30	10	14	2	Qtr. Turn	EP2430	22.2	28.2	2	18	53
EN4SD302010GY	EN4SD302010LG	30	20	10	14	2	Qtr. Turn	EP3020	28.2	18.2	3	12	47
EN4SD302410GY	EN4SD302410LG	30	24	10	14	2	Qtr. Turn	EP3024	28.2	22.2	3	12	53
EN4SD303010GY	EN4SD303010LG	30	30	10	14	2	Qtr. Turn	EP3030	28.2	28.2	3	12	75
EN4SD362410GY	EN4SD362410LG	36	24	10	14	2	Qtr. Turn	EP3624	34.2	22.2	3	15	70
EN4SD363010GY	EN4SD363010LG	36	30	10	14	2	Qtr. Turn	EP3630	34.2	28.2	3	15	84
EN4SD363610GY	EN4SD363610LG	36	36	10	14	2	Qtr. Turn	EP3636	34.2	34.2	3	15	100
EN4SD423010GY	EN4SD423010LG	42	30	10	14	1	3-point	EP4230	40.2	28.2	4	12	107
EN4SD423610GY	EN4SD423610LG	42	36	10	14	1	3-point	EP4236	40.2	34.2	4	12	117
EN4SD482410GY	EN4SD482410LG	48	24	10	14	1	3-point	EP4824	46.2	22.2	4	14	95
EN4SD483010GY	EN4SD483010LG	48	30	10	14	1	3-point	EP4830	46.2	28.2	4	14	120
EN4SD483610GY	EN4SD483610LG	48	36	10	14	1	3-point	EP4836	46.2	34.2	4	14	125
EN4SD603610GY	EN4SD603610LG	60	36	10	14	1	3-point	EP6036	58.2	34.2	4	18	150
EN4SD201612GY	EN4SD201612LG	20	16	12	16	1	Qtr Turn	EP2016	18.2	14.2	2	14	32
EN4SD202012GY	EN4SD202012LG	20	20	12	16	1	Qtr Turn	EP2020	18.2	18.2	2	14	34
EN4SD242012GY	EN4SD242012LG	24	20	12	16	1	Qtr Turn	EP2420	22.2	18.2	2	18	38
EN4SD242412GY	EN4SD242412LG	24	24	12	14	2	Qtr Turn	EP2424	22.2	22.2	2	18	47
EN4SD302412GY	EN4SD302412LG	30	24	12	14	2	Qtr Turn	EP3024	28.2	22.2	3	12	57
EN4SD303012GY	EN4SD303012LG	30	30	12	14	2	Qtr Turn	EP3030	28.2	28.2	3	12	80
EN4SD362412GY	EN4SD362412LG	36	24	12	14	2	Qtr Turn	EP3624	34.2	22.2	3	15	62
EN4SD363012GY	EN4SD363012LG	36	30	12	14	2	Qtr Turn	EP3630	34.2	28.2	3	15	91
EN4SD363612GY	EN4SD363612LG	36	36	12	14	2	Qtr Turn	EP3636	34.2	34.2	3	15	104
EN4SD423012GY	EN4SD423012LG	42	30	12	14	1	3-point	EP4230	40.2	28.2	4	12	111
EN4SD423612GY	EN4SD423612LG	42	36	12	14	1	3-point	EP4236	40.2	34.2	4	12	121
EN4SD482412GY	EN4SD482412LG	48	24	12	14	1	3-point	EP4824	46.2	22.2	4	14	98
EN4SD483612GY	EN4SD483612LG	48	36	12	14	1	3-point	EP4836	46.2	34.2	4	14	148
EN4SD603612GY	EN4SD603612LG	60	36	12	14	1	3-point	EP6036	58.2	34.2	4	18	165
EN4SD723012GY	EN4SD723012LG	72	30	12	14	2	Qtr Turn, 5-point	EP7230	70.2	28.2	5	16.5	190
EN4SD723612GY	EN4SD723612LG	72	36	12	14	2	Qtr Turn, 5-point	EP7236	70.2	34.2	5	16.5	195
EN4SD242016GY	EN4SD242016LG	24	20	16	16	1	Qtr Turn	EP2420	22.2	18.2	2	18	52
EN4SD242416GY	EN4SD242416LG	24	24	16	14	2	Qtr Turn	EP2424	22.2	22.2	2	18	66
EN4SD302416GY	EN4SD302416LG	30	24	16	14	2	Qtr Turn	EP3024	28.2	22.2	3	12	85
EN4SD363016GY	EN4SD363016LG	36	30	16	14	2	Qtr Turn	EP3630	34.2	28.2	3	15	102
EN4SD423616GY	EN4SD423616LG	42	36	16	14	1	3-point	EP4236	40.2	34.2	4	12	140
EN4SD483616GY	EN4SD483616LG	48	36	16	14	1	3-point	EP4836	46.2	34.2	4	14	148
EN4SD603616GY	EN4SD603616LG	60	36	16	14	1	3-point	EP6036	58.2	34.2	4	18	200
EN4SD723016GY	EN4SD723016LG	72	30	16	14	2	Qtr Turn, 5-point	EP7230	70.2	28.2	5	16.5	215
EN4SD723616GY	EN4SD723616LG	72	36	16	14	2	Qtr Turn, 5-point	EP7236	70.2	34.2	5	16.5	217
EN4SD242420GY	EN4SD242420LG	24	24	20	14	2	Qtr Turn	EP2424	22.2	22.2	2	18	70
EN4SD302420GY	EN4SD302420LG	30	24	20	14	2	Qtr Turn	EP3024	28.2	22.2	3	12	82
EN4SD363020GY	EN4SD363020LG	36	30	20	14	2	Qtr Turn	EP3630	34.2	28.2	3	15	117
EN4SD483620GY	EN4SD483620LG	48	36	20	14	1	3-point	EP4836	46.2	34.2	4	14	165
EN4SD603620GY	EN4SD603620LG	60	36	20	14	1	3-point	EP6036	58.2	34.2	4	18	210
EN4SD723020GY	EN4SD723020LG	72	30	20	14	2	Qtr Turn, 5-point	EP7230	70.2	28.2	5	16.5	217
EN4SD302424GY	EN4SD302424LG	30	24	24	14	2	Qtr Turn	EP3024	28.2	22.2	3	12	115
EN4SD723024GY	EN4SD723024LG	72	30	24	14	2	Qtr Turn, 5-point	EP7230	70.2	28.2	5	16.5	220

 Technical references and CAD downloads available at www.hammondmfg.com

All dimensions in inches unless specified otherwise

Quality Products. Service Excellence.