

**Product Specifications**

- ◆ Overhead or underground service entrance positioning.
- ◆ For overhead or underground service, main entry (line side) must be via hub provision in left hand trough (See page 18 for hub selection).
- ◆ Two through six position models available
- ◆ Troughs are factory bussed for 200A from main lugs to the line side of all positions.
- ◆ Cable entry trough standard feature for ease of wiring.
- ◆ Left hand service entry only.
- ◆ Type 3R enclosure rating.
- ◆ CSA approved for copper or aluminum wiring.
- ◆ 4 Jaw configuration standard, optional 5<sup>th</sup> jaw available for 6 or 9 o'clock position mounting (See page 20).
- ◆ Tunnel style line, load and neutral lugs.

**Product Selection**

**Table 16. 200A 600VAC Maximum Multi-Gang Combination Overhead/Underground Service Meter Socket**

Catalogue Number	Mains Amperage (A)	Per Position Amperage (A)	Meter Positions	Enclosure Rating	Knockouts (quantity & type)		Weight lbs (kg)	Dimensions in (mm)	Lug Capacity (Cu/Al)		
					Sides	Bottom			Line	Load	
2KN1	200	100	2	Type 3R	(1) I	(3)H, (1)J, (1)A	22 (10.0)	12-1/8 x 23-3/16 x 4-3/4 (308.0 x 589.0 x 120.7)	#6-250MCM	#6-1/0	
3KN1			3			(4)H, (1)J, (1)A	29 (13.8)	12-1/8 x 31 x 4-3/4 (308.0 x 787.4 x 120.7)			
4KN1			4			(5)H, (1)J, (1)A	38 (17.3)	12-1/8 x 38-5/8 x 4-3/4 (308.0 x 981.1 x 120.7)			
5KN1			5			(6)H, (1)J, (1)A	44 (20.0)	12-1/8 x 46-7/16 x 4-3/4 (308.0 x 1179.5 x 120.7)			
6KN1		6	(7)H, (1)J, (1)A			46 (20.9)	12-1/8 x 54-3/16 x 4-3/4 (308.0 x 1376.4 x 120.7)				
2K2		200	2			(3)I, (1)J, (1)A	35 (15.9)	15-1/8 x 26-3/16 x 5-1/8 (384.2 x 660.6 x 130.2)			#6-250MCM
3K2			3			(4)I, (1)J, (1)A	48 (21.8)	15-1/8 x 35 x 5-1/8 (384.2 x 889.0 x 130.2)			
4K2			4			(5)I, (1)J, (1)A	68 (30.9)	15-1/8 x 43-11/16 x 5-1/8 (384.2 x 1109.7 x 130.2)			

**Table 17. Conduit Knockout Legend**

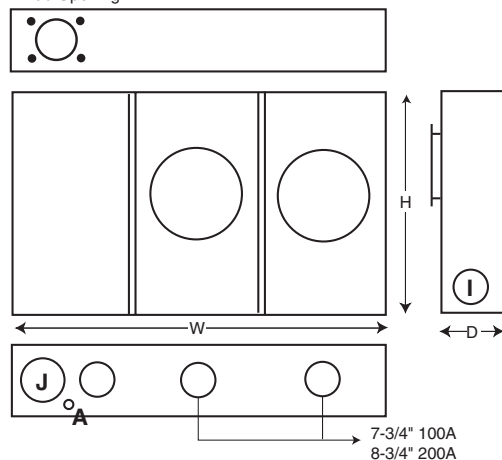
Knockout Code <sup>①</sup>	Conduit Knockout Sizes
A	1/2"
H	1-1/4", 1-1/2", 2"
I	1-1/4", 1-1/2", 2", 2-1/2"
J	1-1/4", 1-1/2", 2", 2-1/2", 3"

**Table 18. Neutral Lug Cable Capacities**

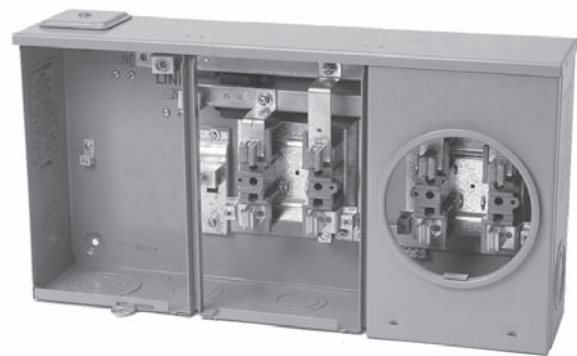
Location	Cable Size (Cu/Al)
Main	#6-250MCM
100A Branch	#14-1/0
200A Branch	#6-250MCM

<sup>①</sup> To determine knockout locations and quantity refer to knockouts column in table 9 and location map below.

2-1/2" Hub Opening



**Figure 6. 200A Overhead /Underground Service Multi-Gang Meter Socket Knockout Location Map**



**2KN1**