

# 1414 N4 PHSS Series Stainless Steel Enclosures - NEMA 4X

Continuous Hinge, Clamped Cover



Inner  
Panel  
Included



Corrosion Resistant Junction Boxes

## Application

- Designed for use as instrument enclosures, electric, hydraulic or pneumatic control housings, electrical junction boxes or terminal wiring enclosures.
- Provides protection where equipment may be hosed down or otherwise be very wet, or in specific applications where corrosion may be a problem.

## Standards

- UL 508 Type 3R, 4, 4X, 12 and 13
- CSA Type 3R, 4, 4X, 12 and 13
- **Complies with**
  - NEMA Type 3R, 4, 4X, 12 and 13
  - JIC EGP-1-1967
  - IEC 60529, IP66

## Construction

- Formed from 14 gauge 304 or 316 stainless steel.
- Smooth, continuously welded seams.
- Welded brackets provide for enclosure mounting.
- Continuous stainless steel hinged cover is secured with stainless steel clamps and screws.
- Seamless poured-in place gasket.
- All models include a removable 14 gauge inner panel.
- Tapped studs are provided for mounting inner panels.
- A bonding stud is provided on the door and a grounding stud is provided in the enclosure.

## Finish

- Cover and enclosure are natural stainless steel with a smooth brushed finish.
- Removable inner panel is finished in white powder coating.

## Accessories

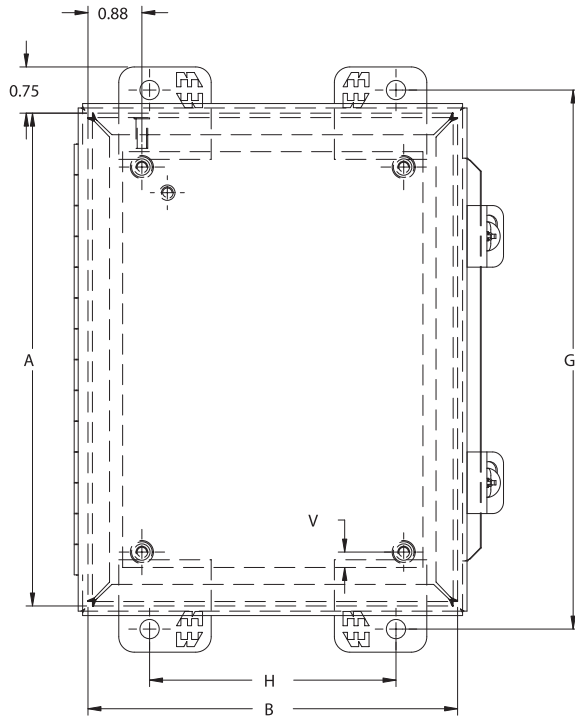
- Additional inner panels...see page **436**
- Breather kits...see page **400-401**
- Door clamping hardware  
...see page **429**
- Filter fans...see page **371-384**
- Heaters...see page **393-396**
- Louvered ventilating plates  
...see page **402**
- Terminal kit assemblies  
...see page **441**
- Thermostats...see page **397**
- Window kits...see page **449**

# 1414 N4 PHSS Series Stainless Steel Enclosures - NEMA 4X

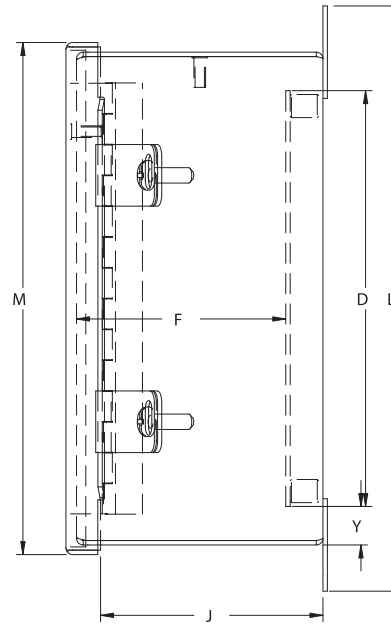
Continuous Hinge, Clamped Cover



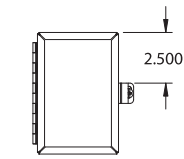
Corrosion Resistant Junction Boxes



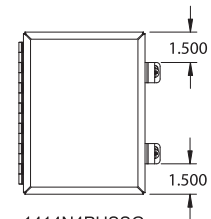
**Front View**



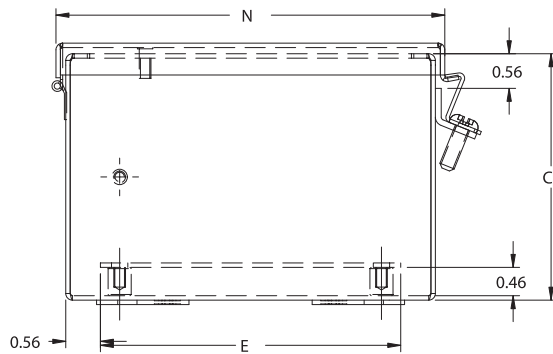
**Side View**



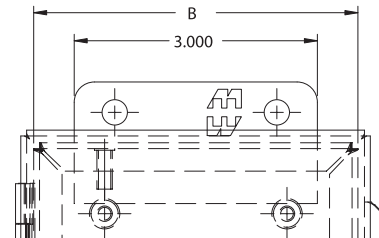
1414N4PHSSC4  
1414N4PHSSE



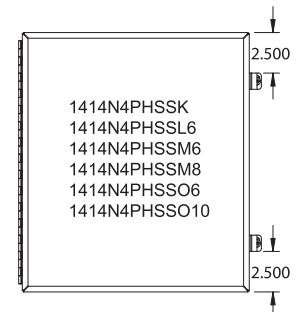
1414N4PHSSG  
1414N4PHSSG4  
1414N4PHSSI



**Bottom View**



**Mounting Detail When B= 4**



1414N4PHSSK  
1414N4PHSSL6  
1414N4PHSSM6  
1414N4PHSSM8  
1414N4PHSSO6  
1414N4PHSSO10

304 S.S. Part Number	316 S.S. Part Number	Dimensions			Panel Size			Mounting Centers				Cover Dimensions				Ship Wt. Lbs.
		A	B	C	D	E	F	G	H	J	L	M	N	V	Y	
1414N4PHSSC4	1414N4PHS16C4	6.0	4.0	4.0	4.88	2.88	3.5	6.75	2.0	3.6	7.5	6.31	4.31	0.31	0.56	5
1414N4PHSSE	1414N4PHS16E	6.0	6.0	4.0	4.88	4.88	3.5	6.75	4.0	3.6	7.5	6.31	6.31	0.31	0.56	6
1414N4PHSSG	1414N4PHS16G	8.0	6.0	3.5	6.75	4.88	3.0	8.75	4.0	3.1	9.5	8.31	6.31	0.25	0.63	6
1414N4PHSSG4	-	8.0	6.0	4.0	6.75	4.88	3.5	8.75	4.0	3.6	9.5	8.31	6.31	0.25	0.63	8
1414N4PHSSI	1414N4PHS16I	10.0	8.0	4.0	8.75	6.88	3.5	10.75	6.0	3.6	11.5	10.31	8.31	0.25	0.63	10
1414N4PHSSK	1414N4PHS16K	12.0	10.0	5.0	10.75	8.88	4.5	12.75	8.0	4.6	13.5	12.31	10.31	0.25	0.63	15
1414N4PHSSK6	1414N4PHS16K6	12.0	10.0	6.0	10.75	8.88	4.5	12.75	8.0	4.6	13.5	12.31	10.31	0.25	0.63	16
1414N4PHSSL6	1414N4PHS16L6	12.0	12.0	6.0	10.75	10.88	5.5	12.75	10.0	5.6	13.5	12.31	12.31	0.25	0.63	20
1414N4PHSSM6	1414N4PHS16M6	14.0	12.0	6.0	12.75	10.88	5.5	14.75	10.0	5.6	15.5	14.31	12.31	0.25	0.63	21
1414N4PHSSO6	1414N4PHS16O6	16.0	14.0	6.0	14.75	12.88	5.5	16.75	12.0	5.6	17.5	16.31	14.31	0.25	0.63	26
1414N4PHSSM8	-	14.0	12.0	8.0	12.75	10.88	7.5	14.75	10.0	7.6	15.5	14.31	12.31	0.25	0.63	22
1414N4PHSSO10	-	16.0	14.0	10.0	14.75	12.88	9.5	16.75	12.0	9.6	17.5	16.31	14.31	0.25	0.63	28

Technical references and CAD downloads available at [www.hammondmfg.com](http://www.hammondmfg.com)

All dimensions in inches unless specified otherwise

**Quality Products. Service Excellence.**