

# 1422 Series Two Door Wallmount Enclosures - NEMA 12

## Continuous Hinge

Industrial Enclosures Wallmount Enclosures



**Inner  
Panel  
Included**



### Application

- Designed to house electrical, electronic, hydraulic or pneumatic controls and instruments.
- Provides a degree of protection from falling dirt, dust, oil and water.

### Standards

- UL 508 Type 12
- CSA Type 12
- **Complies with**
  - NEMA Type 12
  - IEC 60529, IP54

### Construction

- Enclosures are formed 12 or 14 gauge steel, as noted.
- Smooth, continuously welded seams without knockouts, cutouts or holes.
- Body stiffeners are provided in enclosures 30" high or more for extra rigidity.
- Welded brackets provide for enclosure mounting.
- Gasketed overlapping doors eliminate the need for a center post.
- Continuously hinged doors may be removed by pulling the hinge pin.
- Doors are secured with a three point latch and operated with a key locking automotive type handle.
- Latch rods are equipped with rollers for easier door closing.
- Oil resistant gaskets are permanently secured.
- A removable 10 gauge inner panel is included in enclosures as noted.
- Smaller sizes include a 12 gauge inner panel.
- Collar studs are provided for mounting inner panels.
- A grounding stud is provided in the enclosure and a bonding stud is provided on the door.
- A literature pocket is provided for the inside of the door.

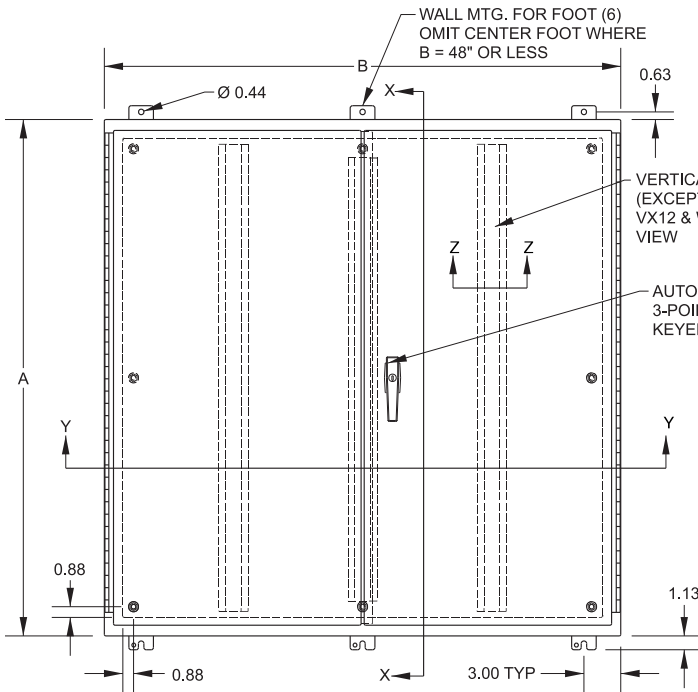
### Finish

- Cover and enclosure are phosphatized and finished in recoatable smooth ANSI 61 gray powder coating on the outside, with white powder coating on the inside.
- Removable inner panel is finished in white powder coating.

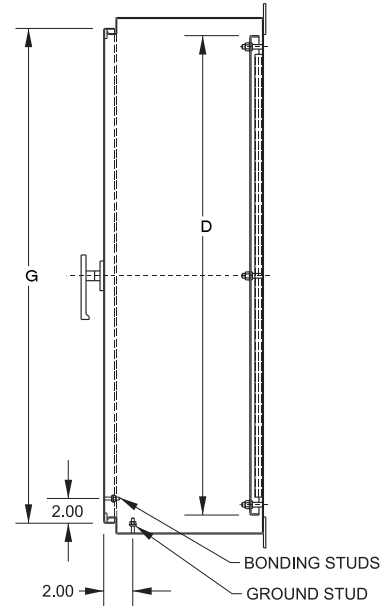
### Accessories

- Air conditioners...*see page 349-367*
- Blowers...*see page 392*
- Breather kits...*see page 400-401*
- Door stop kit...*see page 453*
- Drip shield kits...*see page 451*
- Enclosure stabilizers...*see page 456*
- Filter fans...*see page 371-384*
- Floor stand kits...*see page 453*
- Gland Plates...*see page 446*
- Heaters...*see page 393-396*
- Light kit...*see page 452*
- Louvered ventilating plates...*see page 402*
- Thermostats...*see page 397*
- Window kits...*see page 449*

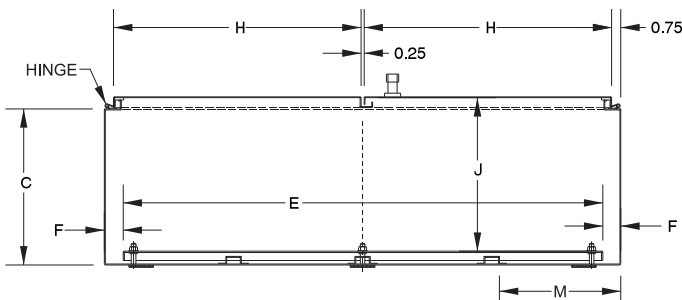
# 1422 Series Two Door Wallmount Enclosures - NEMA 12 Continuous Hinge



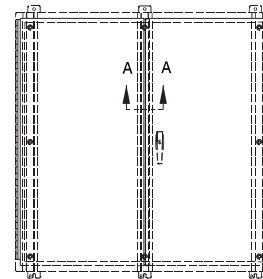
**Front View**



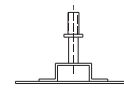
**Side View**



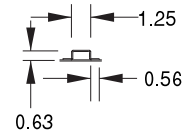
**Section Y-Y**



**Stiffener Layout**  
1422UX12 & 1422WW12



**Section A-A**  
1422VX12 & 1422WW12



**Section Z-Z**  
(Except 1422VX12 &  
1422WW12)

Part No.	Body			Panel Gauge	Panel Size	Ship						
	A	B	C			D	E	F	G	H	J	Wt. lbs.
1422P8	24.00	42.00	8.00	14	12	21	39	1.5	22.25	20.13	7.96	79
1422PW8	24.00	48.00	8.00	14	12	21	45	1.5	22.25	23.13	7.96	92
1422P10	24.00	42.00	10.00	14	12	21	39	1.5	22.25	20.13	9.96	101
1422R10	30.00	42.00	10.00	14	12	27	39	1.5	28.25	20.13	9.96	112
1422RW10	30.00	48.00	10.00	14	12	27	45	1.5	28.25	23.13	9.96	115
1422RX10	30.00	60.00	10.00	14	12	27	57	1.5	28.25	29.13	9.96	142
1422UV12	36.00	42.00	12.00	14	12	33	39	1.5	34.25	20.13	11.96	134
1422UW12	36.00	48.00	12.00	14	12	33	45	1.5	34.25	23.13	11.96	230
1422UX12	36.00	60.00	12.00	14	12	33	57	1.5	34.25	29.13	11.96	181
1422VV12	42.00	42.00	12.00	14	12	39	39	1.5	40.25	20.13	11.96	152
1422VW12	42.00	48.00	12.00	14	12	39	45	1.5	40.25	23.13	11.96	161
1422VX12	42.13	60.06	12.69	12	10	38	56	2.0	40.25	29.13	11.96	202
1422WW12	48.13	48.06	12.69	12	10	44	44	2.0	46.25	23.13	11.96	350

When B=	M=
42	9.88
48	11.38
60	14.38