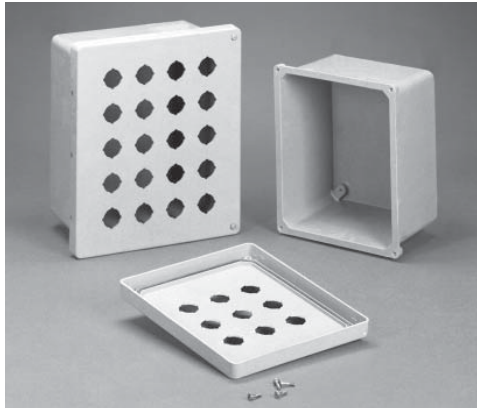


# Polyester Modular Enclosures - NEMA 4X

## PJ Series - Pushbutton Lift Off and Hinged Screw Cover 30.5mm



**Panel  
Sold  
Separately**



### Application

- Designed for use as instrument enclosures, electric, hydraulic or pneumatic control housings, electrical junction boxes or terminal wiring enclosures.
- Provides outstanding insulation and protection where equipment may be hosed down or be very wet.
- Ideal in applications with high temperatures or highly corrosive environments.

### Standards

- UL 508 Type 1, 2, 3, 4, 4X, 12 and 13
- CSA Type 1, 2, 3, 4, 4X, 12 and 13
- **Complies with**
  - NEMA Type 1, 2, 3, 4, 4X, 12 and 13
  - IEC 60529, IP66

### Construction

- Molded fiberglass polyester enclosure with matching cover is easily punched, cut, or drilled.
- Standard JIC sizes under 18" x 16".
- Threaded brass inserts are provided for optional inner panel or terminal kit mounting.
- Cover is fastened with captive stainless steel screws in threaded brass inserts.
- Captive oil resistant gasket provides a positive seal.
- Threaded brass inserts are provided for mounting feet to the rear of the enclosure.
- Stainless steel mounting brackets and hardware are provided for mounting to the rear of the enclosure.
- Enhanced UV inhibitors protect against outdoor weathering.
- Operating temperatures between 130°C and -40°C (266°F to -40°F).
- Impact index of 6.78J (5 ft/lb).
- For corrosion resistance information, please refer to table in Technical Information.

### Finish

- Fiberglass polyester material has a gray finish.
- Optional inner panels are available in white powder coated finished steel or unfinished aluminum.

### Accessories

- Painted steel inner panels  
*...see page 436*
- Unfinished aluminum inner panels  
*...see page 436*
- Galvanized Panels...*see page 436*
- Terminal kit assemblies...*see page 441*

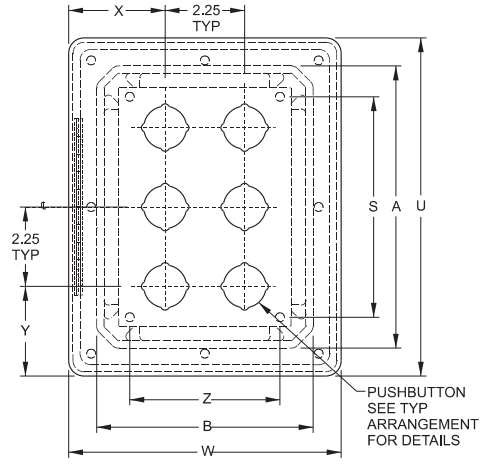
Lift Off Cover Part No.	Hinged Cover Part No.	Overall Dimensions			Panel Size						Center	
		A	B	C	D	E	F	G	H	J	S	Z
<b>PJ664P4</b>	<b>PJ664HP4</b>	6.10	6.10	4.18	4.88	4.88	3.76	5.01	5.01	3.52	4.25	4.25
<b>PJ864P6</b>	<b>PJ864HP6</b>	8.00	6.12	4.13	6.75	4.88	3.68	6.89	5.01	3.47	6.25	4.25
<b>PJ1084P9</b>	<b>PJ1084HP9</b>	10.13	8.26	4.13	8.75	6.88	3.68	8.89	7.01	5.47	8.25	6.25
<b>PJ1086P9</b>	<b>PJ1086HP9</b>	10.13	8.26	6.13	8.75	6.88	5.68	8.89	7.01	5.47	8.25	6.25
<b>PJ1086P12</b>	<b>PJ1086HP12</b>	10.13	8.26	6.13	8.75	6.88	5.68	8.89	7.01	5.47	8.25	6.25
<b>PJ12106P16</b>	<b>PJ12106HP16</b>	12.13	10.26	6.13	10.75	8.88	5.68	10.89	9.01	5.47	10.25	8.25
<b>PJ12106P20</b>	<b>PJ12106HP20</b>	12.13	10.26	6.13	10.75	8.88	5.68	10.89	9.01	5.47	10.25	8.25
<b>PJ14126P25</b>	<b>PJ14126HP25</b>	14.13	12.26	6.13	12.75	10.88	5.68	12.89	11.01	5.47	12.25	10.25
<b>PJ16148P30</b>	<b>PJ16148HP30</b>	16.27	14.40	8.13	14.75	12.88	7.68	14.89	13.01	7.47	14.25	12.25
<b>PJ18168P42</b>	<b>PJ18168HP42</b>	18.40	16.40	8.13	16.88	14.88	7.68	16.97	14.97	7.47	16.25	14.25

<sup>1</sup> For aluminum panel...*see page 380.*

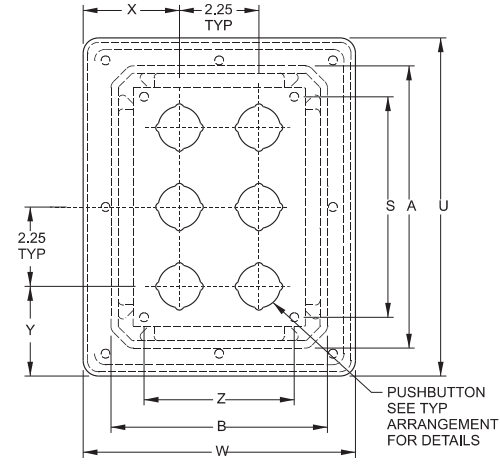
# Polyester Modular Enclosures - NEMA 4X

## PJ Series - Pushbutton Lift Off and Hinged Screw Cover 30.5mm

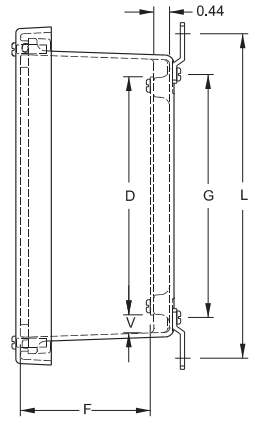
Operator Interface Enclosure



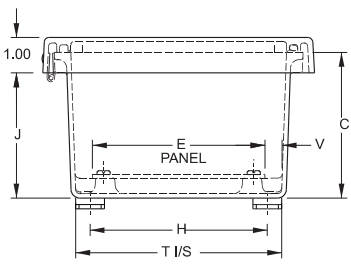
**Top View**  
**Hinged Screw Cover**



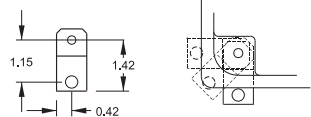
**Top View**  
**Lift Off Screw Cover**



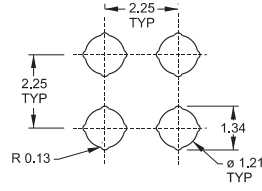
**Side View**



**Front View**

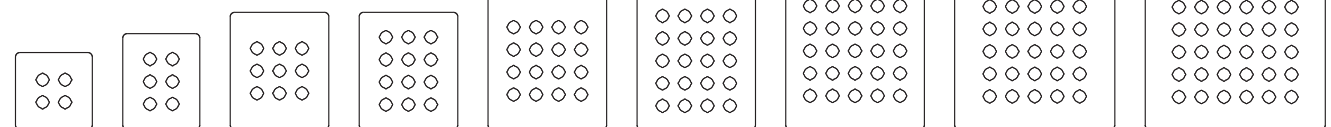


**Optional Mounting Feet Locations**



**Typical Pushbutton Arrangement**

**Thermal Index**  
130°C to -40°C  
(266°F to -40°F)  
**Impact Index**  
6.78J (5 ft/lb)



- PJ664P4  
PJ664HP4
- PJ864P6  
PJ864HP6
- PJ1086P9  
PJ1086HP9
- PJ1086P12  
PJ1086HP12
- PJ12106P16  
PJ12106HP16
- PJ12106P20  
PJ12106HP20
- PJ14126P25  
PJ14126HP25
- PJ16148P30  
PJ16148HP30
- PJ18168P42  
PJ18168HP42

Lift Off Cover Part No.	Hinged Cover Part No.	Optional L	T	V	U	W	Steel Panel Part No. <sup>1</sup>	No. Holes	X	Y	Ship Wt. Lbs.
PJ664P4	PJ664HP4	7.32	5.83	0.49	7.69	7.69	14R0505	4	2.72	2.72	4
PJ864P6	PJ864HP6	9.19	5.85	0.50	9.59	7.71	14R0705	6	2.73	2.55	4
PJ1084P9	PJ1084HP9	11.19	7.85	0.50	11.77	9.90	14R0907	9	2.68	3.62	6
PJ1086P9	PJ1086HP9	11.19	7.85	0.50	11.77	9.90	14R0907	9	2.68	3.62	6
PJ1086P12	PJ1086HP12	11.19	7.85	0.50	11.77	9.90	14R0907	12	2.68	2.49	6
PJ12106P16	PJ12106HP16	13.19	9.85	0.50	13.77	11.90	14R1109	16	2.55	3.49	8
PJ12106P20	PJ12106HP20	13.19	9.85	0.50	13.77	11.90	14R1109	20	2.55	2.37	8
PJ14126P25	PJ14126HP25	15.19	11.85	0.50	15.73	13.85	14R1311	25	2.43	3.37	11
PJ16148P30	PJ16148HP30	17.19	13.71	0.50	17.87	15.99	14R1513	30	3.50	3.31	12
PJ18168P42	PJ18168HP42	19.28	15.72	0.50	20.00	18.00	P1868	42	3.38	3.25	17

<sup>1</sup> For aluminum panel...see page 380.

Pushbutton Enclosures