

1414 N4 Series Enclosures - NEMA 4, 12, 13

Clamped, Lift Off Cover

Industrial Enclosures



**Inner
Panel
Included**



Junction Boxes

Application

- Designed for use as instrument enclosures, electric, hydraulic or pneumatic control housings, electrical junction boxes or terminal wiring enclosures.
- Provides protection where equipment may be hosed down or otherwise be very wet, or in outdoor applications for full weather protection.

Standards

- UL 508 Type 3R, 4, 12 and 13
- CSA Type 3R, 4, 12 and 13
- **Complies with**
 - NEMA Type 3R, 4, and 12
 - JIC EGP-1-1967
 - IEC 60529, IP66

Construction

- Body formed from 16 or 14 gauge steel. Covers are formed from 14 gauge steel.
- Smooth, continuously welded seams without knockouts, cutouts or holes.
- Welded brackets provide for enclosure mounting.
- Lift off cover is secured with stainless steel clamps and screws.
- Seamless poured-in place gasket.
- All models larger than 4" x 4" include a removable 14 gauge inner panel
- Internal threaded weld studs are provided for mounting inner panels.
- A bonding stud is provided on the door and a grounding stud is provided on the enclosure.

Finish

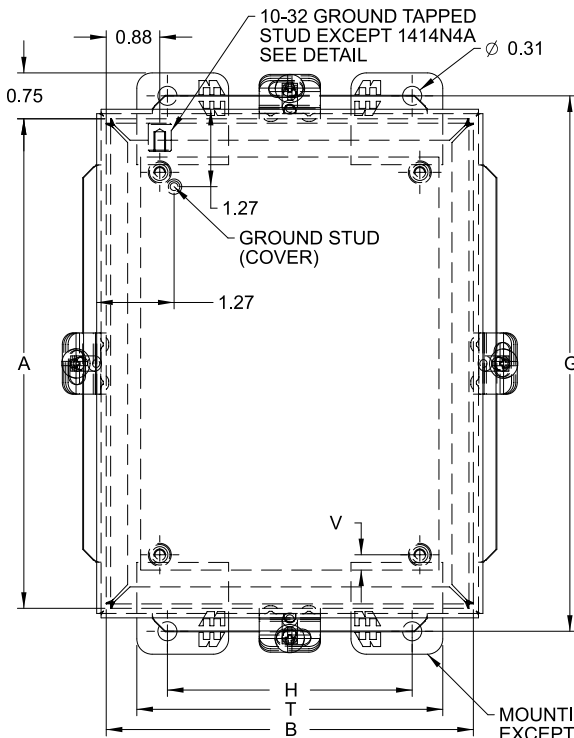
- Cover and enclosure are phosphatized, finished in recoatable smooth ANSI 61 gray powder coating.
- Removable inner panel is finished in white powder coating.

Accessories

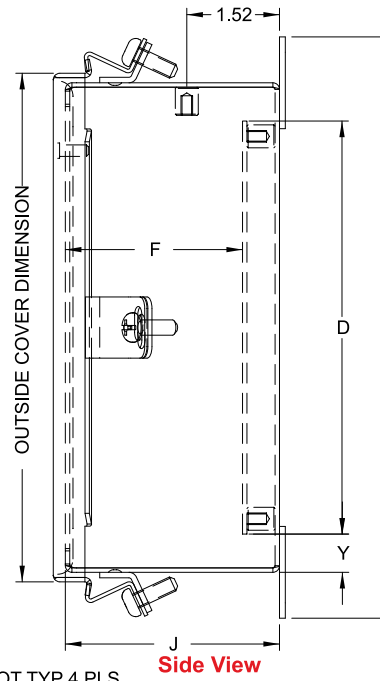
- Additional inner panels...*see page 436*
- Breather kits...*see page 400-401*
- Door clamping hardware
...*see page 429*
- Filter fans...*see page 371-384*
- Heaters...*see page 393-396*
- Louvered ventilating plates
...*see page 402*
- Terminal kit assemblies
...*see page 441*
- Thermostats...*see page 397*
- Swing panel...*see page 440*

1414 N4 Series Enclosures - NEMA 4, 12, 13

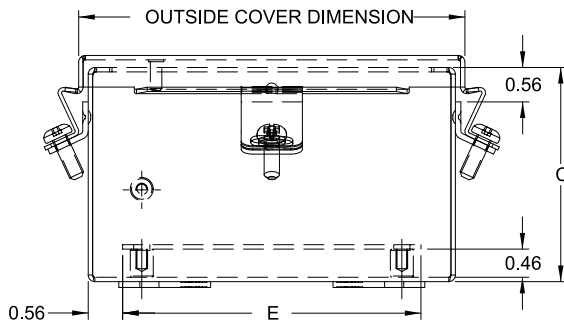
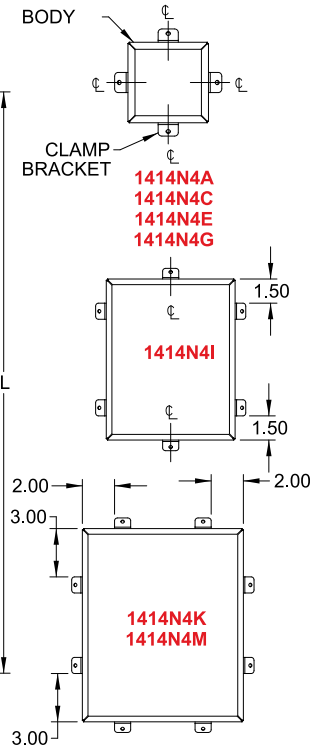
Clamped, Lift Off Cover



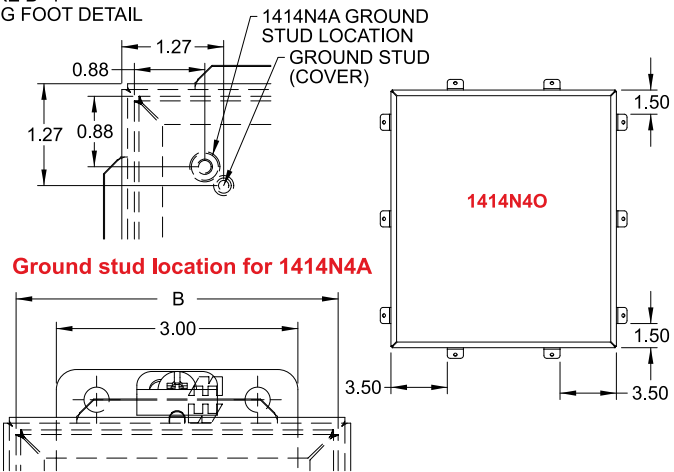
Front View



Side View



Bottom View



Mounting Detail When B= 4

Part No.	Panel Dimensions						Centers			Cover Dimensions				Ship Wt. lbs		
	A	B	C	D	E	F	G	H	J	L	T	V	Y			
1414N4A ¹	4.0	4.0	3.0	—	—	—	4.75	2.00	2.60	5.50	4.31	4.31	3.00	—	—	2
1414N4C	6.0	4.0	3.0	4.88	2.88	2.50	6.75	2.00	2.60	7.50	6.31	4.31	3.00	0.31	0.56	3
1414N4G	8.0	6.0	3.5	6.75	4.88	3.00	8.75	4.00	3.10	9.50	8.31	6.31	5.00	0.25	0.63	6
1414N4E	6.0	6.0	4.0	4.88	4.88	3.50	6.75	4.00	3.60	7.50	6.31	6.31	5.00	0.31	0.56	6
1414N4I	10.0	8.0	4.0	8.75	6.88	3.50	10.75	6.00	3.60	11.50	10.31	8.31	7.00	0.25	0.63	10
1414N4K	12.0	10.0	5.0	10.75	8.88	4.50	12.75	8.00	4.60	13.50	12.31	10.31	9.00	0.25	0.63	15
1414N4M6	14.0	12.0	6.0	12.75	10.88	5.50	14.75	10.00	5.60	15.50	14.31	12.31	11.00	0.25	0.63	20
1414N4O6	16.0	14.0	6.0	14.75	12.88	5.50	16.75	12.00	5.60	17.50	16.31	14.31	13.00	0.25	0.63	26
1414N4M8	14.0	12.0	8.0	12.75	10.88	7.50	14.75	10.00	7.60	15.50	14.31	12.31	11.00	0.25	0.63	22
1414N4O10	16.0	14.0	10.0	14.75	12.88	9.50	16.75	12.00	9.60	17.50	16.31	14.31	13.00	0.25	0.63	30

¹ Panel not included