



# Ty-Rap

**NOTES:**

1. MAXIMUM OPERATING TEMPERATURE: 572°F [300°C]
2. APPLICATION TOOL: T&B DAS-250, Panduit GS4MT and Band-It 502
3. Minimum Bundle Diameter:  
 LS-4.6 Series: .25" [6.3 mm]  
 LS-7.9 Series: .38" [9.7 mm]

CATALOG NUMBER	FIG.	MATERIAL	L ( IN [mm] )	MAXIMUM WIRE BUNDLE DIAMETER	TENSILE ( LBS [N] )
LS-4.6-200A	1	304 STAINLESS STEEL	7.90 [200]	2.00 [51]	200 [890]
LS-4.6-260A			10.20 [260]	2.70 [70]	
LS-4.6-360A			14.20 [360]	4.00 [102]	
LS-4.6-520A			20.50 [520]	6.00 [152]	
LS-4.6-680A			26.80 [680]	8.00 [203]	
LS-4.6-840A			33.10 [840]	10.00 [254]	
LS-4.6-200B		316 STAINLESS STEEL	7.90 [200]	2.00 [51]	
LS-4.6-260B			10.20 [260]	2.70 [70]	
LS-4.6-360B			14.20 [360]	4.00 [102]	
LS-4.6-520B			20.50 [520]	6.00 [152]	
LS-4.6-680B			26.80 [680]	8.00 [203]	
LS-4.6-840B			33.10 [840]	10.00 [254]	
LS-7.9-200A	2	304 STAINLESS STEEL	7.90 [200]	2.00 [51]	450 [2002]
LS-7.9-360A			14.20 [360]	4.00 [102]	
LS-7.9-520A			20.50 [520]	6.00 [152]	
LS-7.9-680A			26.70 [680]	8.00 [203]	
LS-7.9-840A			33.10 [840]	10.00 [254]	
LS-7.9-1010A			39.8 [1010]	12.00 [304]	
LS-7.9-200B		316 STAINLESS STEEL	7.900 [200]	2.00 [51]	
LS-7.9-360B			14.200 [360]	4.00 [102]	
LS-7.9-520B			20.500 [520]	6.00 [152]	
LS-7.9-680B			26.700 [680]	8.00 [203]	
LS-7.9-840B			33.10 [840]	10.00 [254]	
LS-7.9-1010B			39.8 [1010]	12.00 [304]	

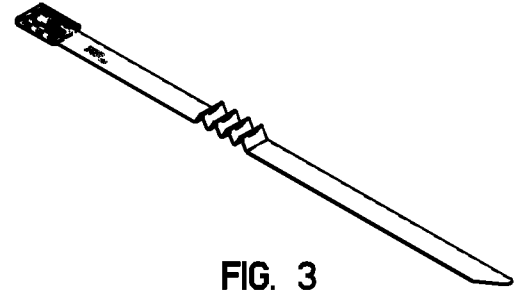
<b>GENERAL NOTES</b>		<b>Thomas &amp; Betts</b> A Member of the ABB Group			
1. ALL DIMENSIONS ARE FOR REFERENCE ONLY. 2. DIMENSIONS IN BRACKETS [ ] ARE IN METRIC UNITS.					
<b>REVISIONS</b>		<b>ORIGINAL PROJECT NO / ( ERN NO )    SHEET NO:    REV. NO:    DRAWING NO:</b>			
3	SEE ERN 2016411 FOR APPROVAL SIGNATURES & RELEASE DATE. PROJECT NO 009D000535				



# Ty-Rap Retained Tension

**NOTES:**

1. RETAINING FEATURE ADDED FOR INCREASED SECURENESS AFTER TOOL REMOVAL
2. MAXIMUM OPERATING TEMPERATURE: 572°F [300°C]
3. APPLICATION TOOL: T&B DAS-250 (TENSION SETTING 2 OR LESS), Panduit GS4MT and Band-It 502
4. Minimum Bundle Diameter:  
 LS-4.6 Series: 1" [25.4 mm]  
 LS-7.9 Series: 1" [25.4 mm]

**FIG. 3**

CATALOG NUMBER	FIG.	MATERIAL	L ( IN [mm] )	MAXIMUM WIRE BUNDLE DIAMETER	TENSILE ( LBS [N] )
RS-4.6-200A	1+3	304 STAINLESS STEEL	7.90 [200]	2.00 [51]	200 [890]
RS-4.6-260A			10.20 [260]	2.70 [70]	
RS-4.6-360A			14.20 [360]	4.00 [102]	
RS-4.6-520A			20.50 [520]	6.00 [152]	
RS-4.6-680A			26.80 [680]	8.00 [203]	
RS-4.6-200B		316 STAINLESS STEEL	7.90 [200]	2.00 [51]	
RS-4.6-260B			10.20 [260]	2.70 [70]	
RS-4.6-360B			14.20 [360]	4.00 [102]	
RS-4.6-520B			20.50 [520]	6.00 [152]	
RS-4.6-680B			26.80 [680]	8.00 [203]	
RS-7.9-200A	2+3	304 STAINLESS STEEL	7.90 [200]	2.00 [51]	450 [2002]
RS-7.9-260A			10.20 [260]	2.70 [70]	
RS-7.9-360A			14.20 [360]	4.00 [102]	
RS-7.9-520A			20.50 [520]	6.00 [152]	
RS-7.9-680A			26.70 [680]	8.00 [203]	
RS-7.9-200B		316 STAINLESS STEEL	7.90 [200]	2.00 [51]	
RS-7.9-260B			10.20 [260]	2.70 [70]	
RS-7.9-360B			14.200 [360]	4.00 [102]	
RS-7.9-520B			20.500 [520]	6.00 [152]	
RS-7.9-680B			26.700 [680]	8.00 [203]	

[www.tnb.com](http://www.tnb.com)**Thomas & Betts**

A Member of the ABB Group

DESCRIPTION:

**STAINLESS STEEL BALL LOCK  
CABLE TIES**

SHEET NO:

**2 OF 3**

REV. NO:

**3**

DRAWING NO:

**WSD-001005**

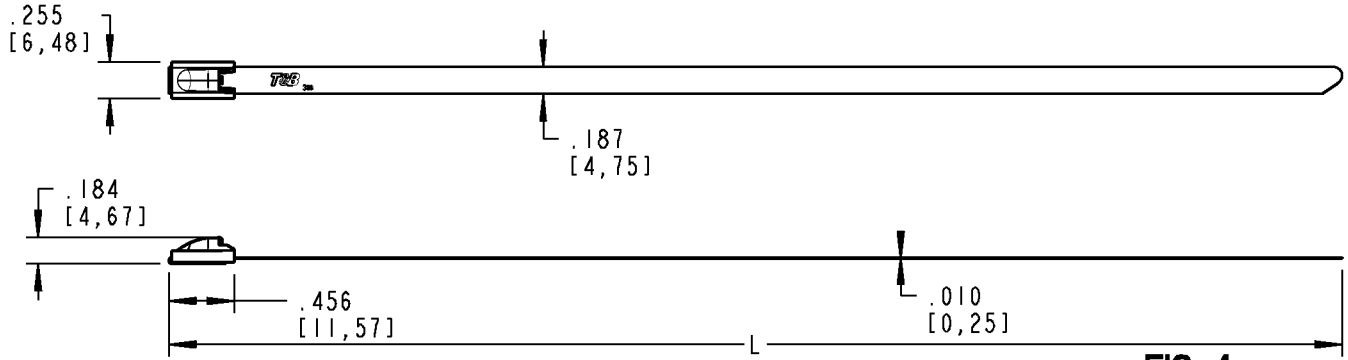


FIG. 1

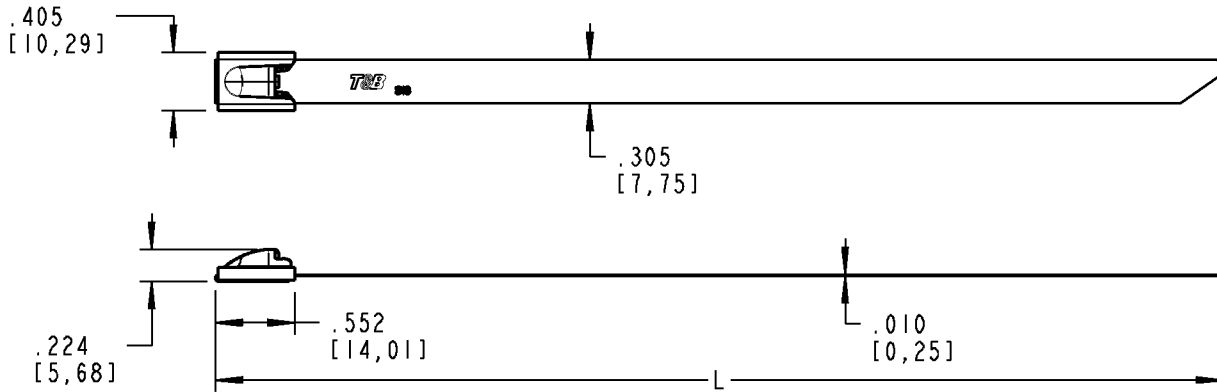
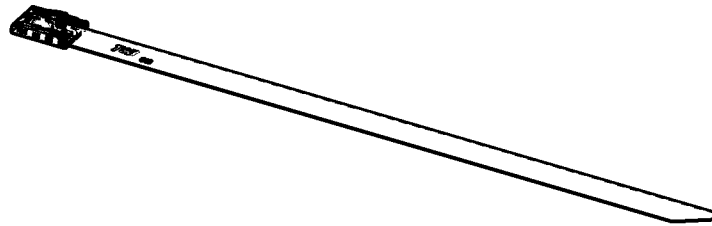


FIG. 2

www.tnb.com		<b>Thomas &amp; Betts</b> A Member of the ABB Group	
DESCRIPTION: <b>STAINLESS STEEL BALL LOCK CABLE TIES</b>			
SHEET NO: 3 OF 3	REV. NO: 3	DRAWING NO: <b>WSD-001005</b>	

THIS DRAWING IS INTENDED FOR DESCRIPTIVE PURPOSES ONLY, AND THE RIGHT IS RESERVED TO DEVIATE FROM ANY OF THE DETAILS SHOWN HEREON. COPYRIGHT THOMAS & BETTS CORPORATION. ALL RIGHTS RESERVED. PROPRIETARY AND CONFIDENTIAL.