

WPS-L GEN 3

LED SMALL WALL PACK

Project: _____
 Type: _____
 Catalogue #: _____
 Drawn by: _____
 Date: _____

The WPS-L series is a classic and familiar design integrated with modern LED technology to promote better energy efficiency and long life. It is best suited for entrances, underpasses or anywhere controlled security lighting is required, the WPS-L luminaire is a great addition to any commercial or industrial outdoor wall mount application. The tough die cast aluminum housing is moisture and dustproof. It comes standard with a prismatic glass lens.

FEATURES AND SPECIFICATIONS

• **Construction**

Housing

WPS-L uses aluminum die cast housing and is standard with a bronze powder coat finish.

Lens

Prismatic glass lens is standard in this product series.

- The WPS-L wall pack is suitable for ambient temperature range of -40°C to +40°C. Available in 4000K and 5000K colour temperatures with a lumen per watt ratio of 100lm/W to 115lm/W depending on the lumen package
- This fixture can replace up to a 250W metal halide equivalent

• **Electrical**

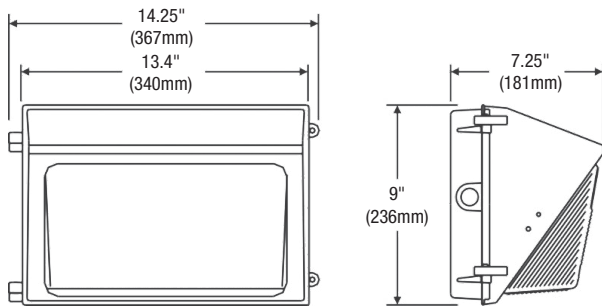
The LED drivers allow input from 120-277V, or 347V with the following onboard surge protection:

- **C2:** 2kV standard for 120-277V and 2,5kV standard for 347V
- **C3:** 6kV standard for 120-277V and 4kV standard for 347V
- **C4:** 10kV standard for 120-277V and 6kV standard for 347V

• **Compliances**

- Wet location
- IP66
- Meets requirements of ICES-005 4 for class A products
- cETLus

DIMENSIONS



Not all products are qualified on the DLC QPL. To view our DLC qualified products, please consult the DLC Qualified Products List at www.designlights.org/search.

OVERVIEW

Lamp	LED
Wattage	40W - 80W
Lumens	4100lm - 8600lm
Lm/W	100lm/W - 115lm/W
Colour temperature	4000K - 5000K

QUICK SHIP ORDERING GUIDE 🕒*

Part number	Casting colour	Wattage	Lumens	Voltage	Colour temperature	Efficacy
WPS-LC21	Bronze	40W	4100lm	120-277V	4000K	103lm/W
WPS-LC22		40W	4400lm	347V	4000K	110lm/W
WPS-LC31		60W	6000lm	120-277V	4000K	100lm/W
WPS-LC32		60W	6800lm	347V	4000K	113lm/W
WPS-LC41		80W	8000lm	120-277V	4000K	100lm/W
WPS-LC42		80W	8500lm	347V	4000K	106lm/W
WPS-LC21-50K		40W	4150lm	120-277V	5000K	104lm/W
WPS-LC22-50K		40W	4480lm	347V	5000K	112lm/W
WPS-LC31-50K		60W	6120lm	120-277V	5000K	102lm/W
WPS-LC32-50K		60W	6900lm	347V	5000K	115lm/W
WPS-LC41-50K		80W	8160lm	120-277V	5000K	102lm/W
WPS-LC42-50K		80W	8600lm	347V	5000K	108lm/W

* **QUICK SHIP:** Product availability is subject to change without notice. Please contact your Stanpro customer service representative to confirm inventory levels at time of order.

ORDERING GUIDE

Series	Lamp type	System wattage (delivered lumens)	Voltage	Colour temperature	Colour	Options
WPS	L - LED	C2 } C3 } See lumen spec chart. C4 }	W - 120-277V H - 347V	40K - 4000K 50K - 5000K	Blank - Bronze (standard) BK - Black WH - White SP - Special colour	P120 - 120V Photocell P277 - 277V Photocell P347 - 347V Photocell KV - 10kV surge

ACCESSORIES (order separately)

Part #	Description
WGD022	Wireguard

Comments

All products are subject to change or may be discontinued any time without notice.

LUMEN CHART TABLE

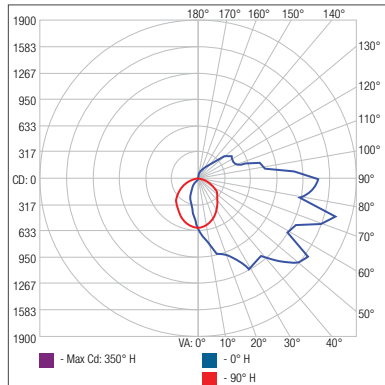
Electrical data					4000K				5000K			
Package	Input voltage	LED current	# of LEDs	System power	Lumens	LM/W	CCT	CRI	Lumens	LM/W	CCT	CRI
C2	120-277V	79.0mA	84	40W	4100lm	103lm/W	4000K	80	4150lm	104lm/W	5000K	80
	347V	76.8mA			4400lm	110lm/W	4000K	70	4480lm	112lm/W	5000K	70
C3	120-277V	77.7mA	120	60W	6000lm	100lm/W	4000K	80	6120lm	102lm/W	5000K	80
	347V	84.7mA			6800lm	113lm/W	4000K	70	6900lm	115lm/W	5000K	70
C4	120-277V	71.7mA	168	80W	8000lm	100lm/W	4000K	80	8160lm	102lm/W	5000K	80
	347V	85.7mA			8500lm	106lm/W	4000K	70	8600lm	108lm/W	5000K	70

Lumen maintenance						
Package	PF	TDH	BUG	Reported L70	Calculated TM21	LM80 @ (Hrs)
C2	0.96	8.50%	133	> 54,000	83.40%	9000
	0.87	16.60%				
C3	0.90	18%	133	> 54,000	84.04%	9000
	0.88	17.90%				
C4	0.96	7.60%	244	> 54,000	83.03%	9000
	0.90	10.40%				

PHOTOMETRIC DATA

WPS-LC21-50K • 4,178.8 lm

Polar candela distribution



Zonal lumen summary

Zone	Lumens	% Fixture
0-30	487.9	11.7%
0-40	845.7	20.2%
0-60	1,789.2	42.8%
60-90	1,467.1	35.1%
70-100	1,336.1	32%
90-120	683.4	16.4%
0-90	3,256.3	77.9%
90-180	922.5	22.1%
0-180	4,178.8	100%

Illuminance at a distance

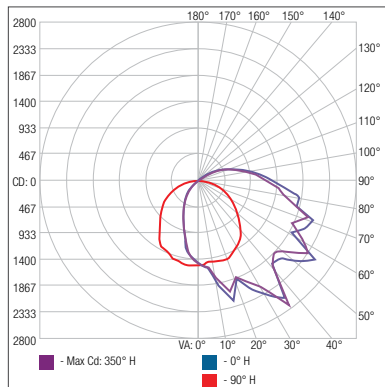
Center beam fc	Beam width
1.7'	200 fc
3.3'	53.1 fc
5.0'	23.1 fc
6.7'	12.9 fc
8.3'	8.40 fc
10'	5.79 fc

Beam width	Beam width
2.9'	3.4'
5.6'	6.6'
8.5'	10.1'
11.4'	13.5'
14.2'	16.7'
17.1'	20.1'

■ Vert. spread: 81.0°
■ Horiz. spread: 90.3°

WPS-LC31-50K • 6,606.8 lm

Polar candela distribution



Zonal lumen summary

Zone	Lumens	% Fixture
0-30	1,228.8	18.6%
0-40	2,067.6	31.3%
0-60	3,809.7	57.7%
60-90	1,987.6	30.1%
70-100	1,551.7	23.5%
90-120	704.2	10.7%
0-90	5,797.3	87.7%
90-180	809.5	12.3%
0-180	6,606.8	100%

Illuminance at a distance

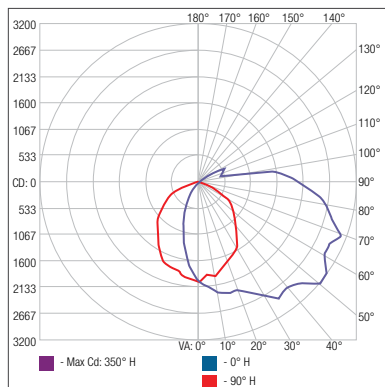
Center beam fc	Beam width
1.7'	521 fc
3.3'	138 fc
5.0'	60.3 fc
6.7'	33.6 fc
8.3'	21.9 fc
10'	15.1 fc

Beam width	Beam width
3.6'	3.8'
7.1'	7.4'
10.7'	11.2'
14.4'	15.1'
17.8'	18.7'
21.4'	22.5'

■ Vert. spread: 93.9°
■ Horiz. spread: 96.7°

WPS-LC41-50K • 8,271.5 lm

Polar candela distribution



Zonal lumen summary

Zone	Lumens	% Fixture
0-30	1,411.9	17.1%
0-40	2,341.7	28.3%
0-60	4,446.2	53.8%
60-90	2,749.9	33.2%
70-100	2,246.8	27.2%
90-120	906.0	11%
0-90	7,196.1	87%
90-180	1,075.5	13%
0-180	8,271.5	100%

Illuminance at a distance

Center beam fc	Beam width
1.7'	687 fc
3.3'	182 fc
5.0'	79.4 fc
6.7'	44.2 fc
8.3'	28.8 fc
10'	19.8 fc

Beam width	Beam width
4.6'	4.0'
9.0'	7.8'
13.6'	11.8'
18.3'	15.9'
22.7'	19.6'
27.3'	23.7'

■ Vert. spread: 107.5°
■ Horiz. spread: 99.6°

All products are subject to change or may be discontinued any time without notice.