

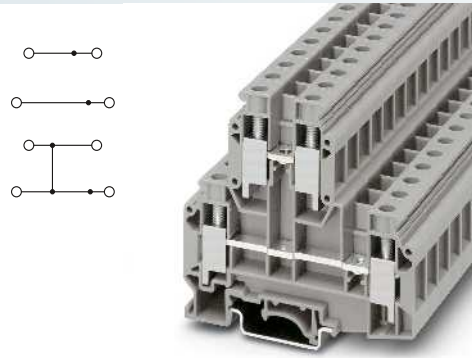
Terminal blocks

UK universal terminal blocks

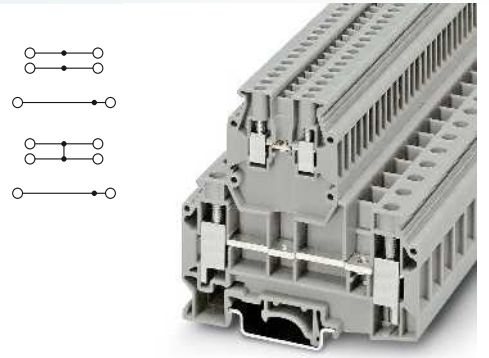
UKKB 10 ... double-level terminal blocks

- Can be bridged on both levels for all potential distribution tasks
- Overall width of just 10.2 mm
- One of the special features of the UKKB 10/2,5 is that it allows two 2.5 mm² conductors to be connected in the upper level

Notes:
UKKB 10-PV: 70 A / 500 V



10 (16) mm², 76 A, double-level terminal block



10 (16) mm², 76 A, double-level terminal block, upper level with 2 x 2.5 mm² feed-through terminal blocks



Dimensions		[mm]
Dimensions		[mm]
Max. electrical data		
Rated data lower level		
Rated voltage	[V]	500
Nominal current / cross section	[A] / [mm ²]	57 / 10
Rated cross section	[mm ²]	10
Cross section range	AWG	20 - 6
Connection capacity, lower level		
1 conductor	[mm ²]	0.5 - 16
2 conductors (of the same type)	[mm ²]	0.5 - 6
2 stranded conductors with a TWIN ferrule	[mm ²]	0.5 - 4
Rated data, upper level		
Rated voltage	[V]	500
Nominal current / cross section	[A] / [mm ²]	57 / 10
Rated cross section	[mm ²]	10
Cross section range	AWG	20 - 6
Connection capacity, upper level		
1 conductor	[mm ²]	0.5 - 16
2 conductors (of the same type)	[mm ²]	0.5 - 6
Two conductors with a TWIN ferrule	[mm ²]	0.5 - 4
General data		
Stripping length, lower / upper level	[mm]	11 / 11
Thread, lower / upper level		M4 / M4
Tightening torque, lower / upper level	[Nm]	1.5 - 1.8 / 1.5 - 1.8
Insulating material		PA
Inflammability class according to UL 94		V0

Technical data				
Width	Length	Height NS 35/7,5		
10.2	77.5	73		
Width	Length	Height NS 32		
10.2	77.5	78		
I _{max} [A]	U _{max} [V]	Max. Ø [mm ²]	AWG (UL)	
76	500	0.5 - 16	24-6	
IEC 60947-7-1				
IEC	UL / CUL	CSA	IEC/ EN 60079-7	
500	600	300	-	
57 / 10	65 / -	65 / -	-	
10	-	-	-	
20 - 6	24-6	24-6	-	
Solid		Stranded		Ferrule
				without/with plastic sleeve
0.5 - 16	0.5 - 10	0.5 - 10	0.5 - 6	
0.5 - 6	0.5 - 4	0.5 - 6	-	
IEC 60947-7-1				
IEC	UL / CUL	CSA	IEC/ EN 60079-7	
500	600	300	-	
57 / 10	65 / -	65 / -	-	
10	-	-	-	
20 - 6	24-6	24-6	-	
Solid		Stranded		Ferrule
				without/with plastic sleeve
0.5 - 16	0.5 - 10	0.5 - 10	0.5 - 6	
0.5 - 6	0.5 - 4	0.5 - 6	-	
IEC 60947-7-1				
IEC	UL / CUL	CSA	IEC/ EN 60079-7	
500	600	300	-	
24 / 2.5	20 / -	20 / -	-	
10	-	-	-	
24 - 12	30-12	28-12	-	
Solid		Stranded		Ferrule
				without/with plastic sleeve
0.2 - 4	0.2 - 2.5	0.25 - 2.5	0.25 - 1.5	
0.2 - 1.5	0.2 - 1.5	0.25 - 1	-	
11 / 8				
M4 / M3				
1.2 - 1.8 / 0.5 - 0.8				
PA				
V0				

Description	No. of pos.	Color
Terminal block, for mounting on NS 32... or NS 35...		gray
Terminal block, with equipotential bond, for mounting on NS 32 ... or NS 35...		gray

Ordering data			
Type	I _{max}	Order No.	Pcs. / Pkt.
UKKB 10		2772077	50
UKKB 10-PV		3003567	50

Ordering data			
Type	I _{max}	Order No.	Pcs. / Pkt.
UKKB 10/2,5		2771007	50
UKKB 10/2,5-PV		2775485	50

Accessories		
Cover, width 1.5 mm		gray
Fixed bridge, insulated	10	silver
Fixed bridge, for cross connections in the terminal center, screw heads with insulating collar, can be separated, with 10 screws	10	silver
Chain bridge, with screw	1	silver
Isolator bridge bar, can be separated, with 10 screws, for switchable branches with IS-K...	10	silver
Bridge bar isolator, as distance piece for isolator bridge bar		gray
Screwdriver		
Marking for upper level		
Marking for lower level		

Accessories			
D-UKKB 10	I _{max}	Order No.	Pcs. / Pkt.
D-UKKB 10		3001394	50
FBI 10-10	70 A	0203276	10
KB- 10	70 A	0203205	100
ISSBI 10-10	38 A	0301521	10
IS-K 10		1303337	100
SZS 1,0X4,0 VDE		1205066	10
ZB 10 (see Catalog 5)			
ZB 10 (see Catalog 5)			

Accessories			
D-UKKB 10	I _{max}	Order No.	Pcs. / Pkt.
D-UKKB 10		3001394	50
FBRI 10-5 N	26 A	2770642	10
FBI 10-10	70 A	0203276	10
KB- 10	70 A	0203205	100
ISSBI 10-10	38 A	0301521	10
IS-K 10		1303337	100
SZS 1,0X4,0 VDE		1205066	10
ZB 5 (see Catalog 5)			
ZB 10 (see Catalog 5)			