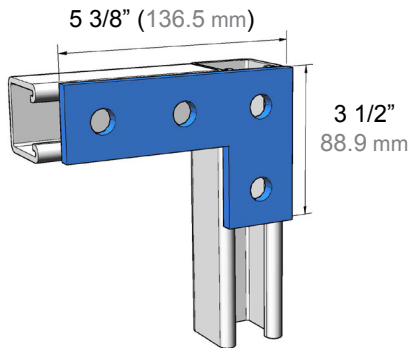


To assist in the selection of the proper fitting for your application, Sasco fittings, many of which have multiple applications, are grouped according to their most common use.

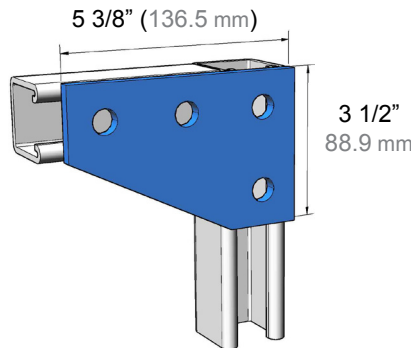
CORNER CONNECTIONS

FOUR HOLE FLAT PLATE



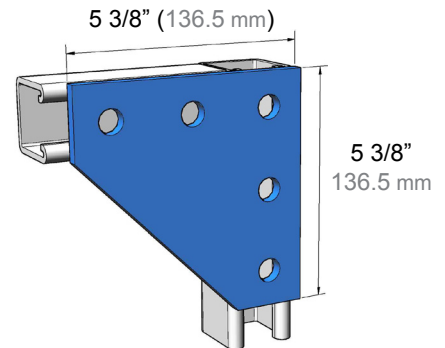
S123P-HG

FOUR HOLE FLAT PLATE



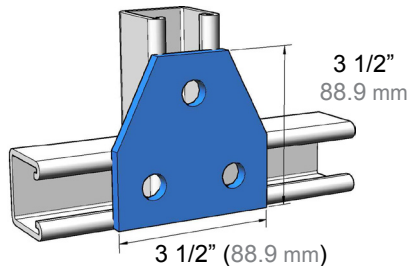
S124P-HG

FIVE HOLE FLAT PLATE



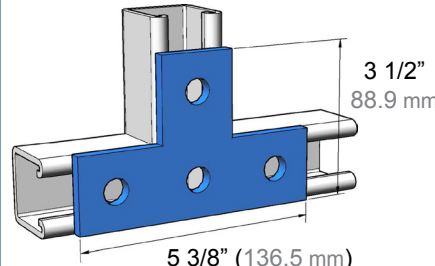
S125P-HG

THREE HOLE TEE PLATE



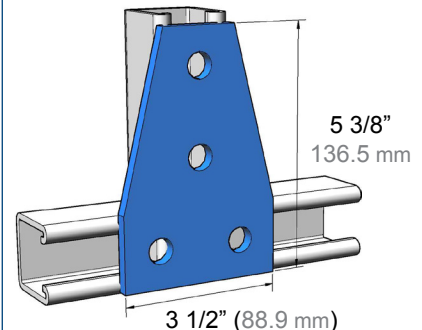
S126P-HG

FOUR HOLE TEE PLATE



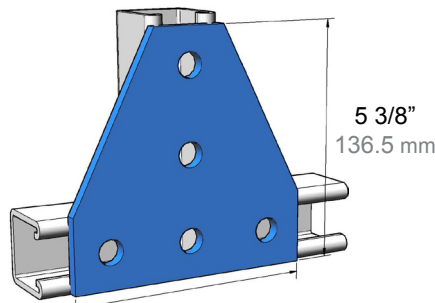
S120P-HG

FOUR HOLE TEE PLATE



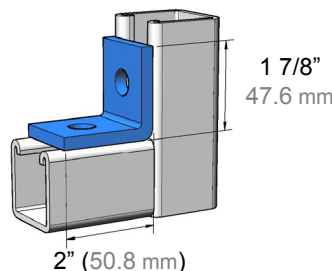
S127P-HG

FIVE HOLE TEE PLATE



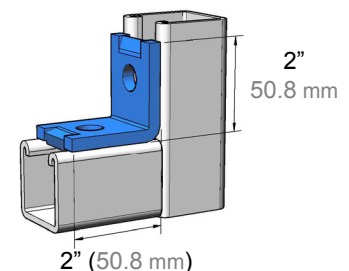
S128P-HG

TWO HOLE 90° FITTING



S206A-HG

TWO HOLE 90° FITTING



S207A-HG

GENERAL DATA	(Inches)	(mm)
Hole Diameter	9/16	14.3
Hole Spacing from End	13/16	20.6
Hole Spacing on Centre	1 7/8	47.6
Width	1 1/2	38.1
Thickness	1/4	6.4

Dimensions are to outside edge unless otherwise indicated.

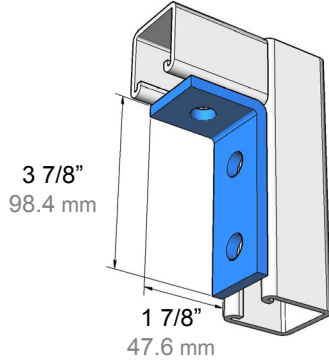
Finish Suffix Legend:

Hot Dip Galvanized After Fabrication	-HG
Pre-galvanized	-G
Electroplated Zinc	-EG
Stainless Steel Type 304	-SS4
Stainless Steel Type 316	-SS6

To assist in the selection of the proper fitting for your application, Sasco fittings, many of which have multiple applications, are grouped according to their most common use.

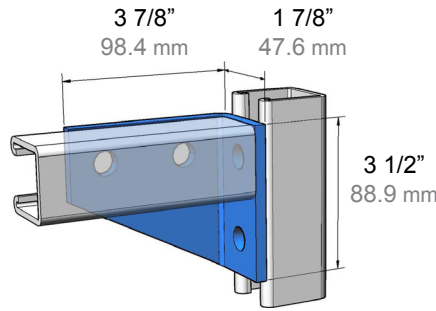
CORNER CONNECTIONS

THREE HOLE 90° FITTING



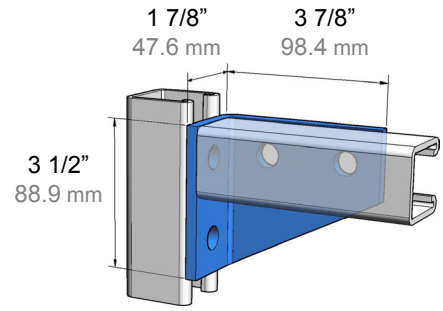
S210A-HG

FOUR HOLE RIGHT ANGLE



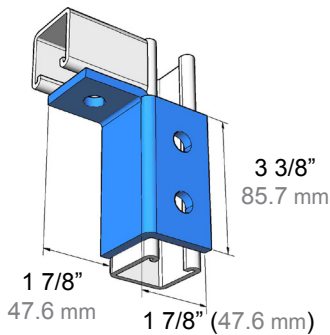
S232A-HG

FOUR HOLE RIGHT ANGLE



S233A-HG

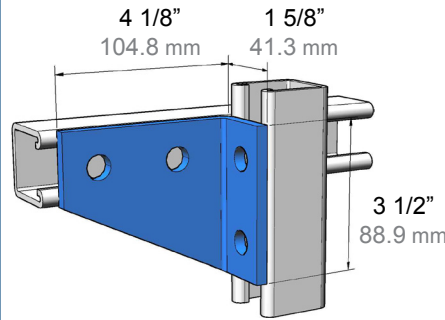
THREE HOLE 90° FITTING



S528W-HG RIGHT HAND

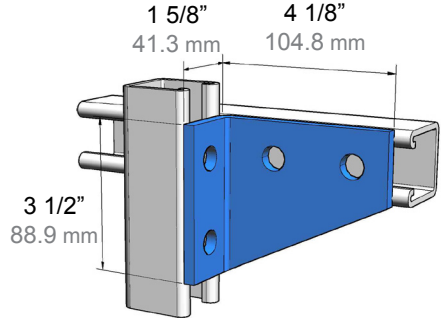
S529W-HG LEFT HAND (shown)

FOUR HOLE RIGHT ANGLE



S218A-HG

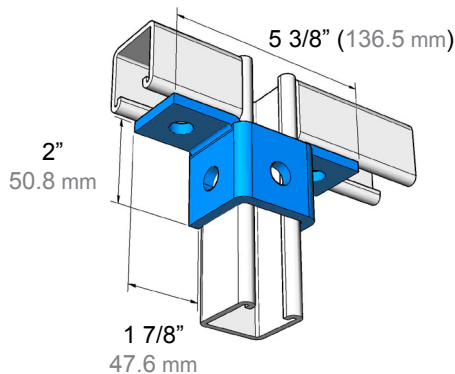
FOUR HOLE RIGHT ANGLE



S217A-HG

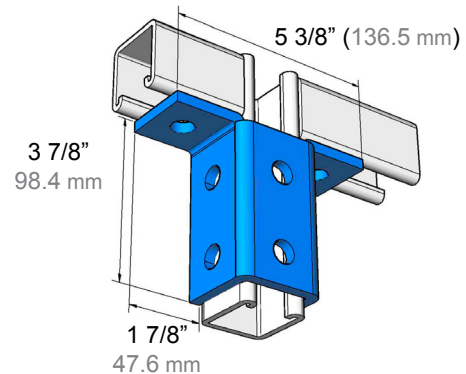
CROSSING CONNECTIONS

FIVE HOLE WING FITTING



S536W-HG

EIGHT HOLE WING FITTING



S537W-HG

GENERAL DATA	(Inches)	(mm)
Hole Diameter	9/16	14.3
Hole Spacing from End	13/16	20.6
Hole Spacing on Centre	1 7/8	47.6
Width	1 1/2	38.1
Thickness	1/4	6.4

Dimensions are to outside edge unless otherwise indicated.

Finish Suffix Legend:

Hot Dip Galvanized After Fabrication	-HG
Pre-galvanized	-G
Electroplated Zinc	-EG
Stainless Steel Type 304	-SS4
Stainless Steel Type 316	-SS6

[CONTENTS](#)

[INDEX](#)

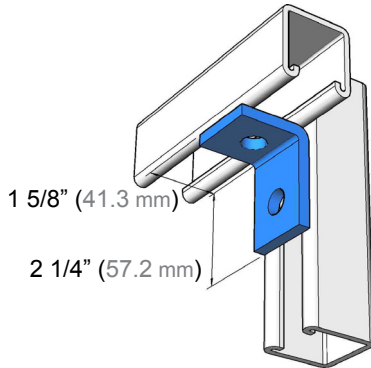
[GENERAL INFO.](#)

[CONTACT US](#)

To assist in the selection of the proper fitting for your application, Sasco fittings, many of which have multiple applications, are grouped according to their most common use.

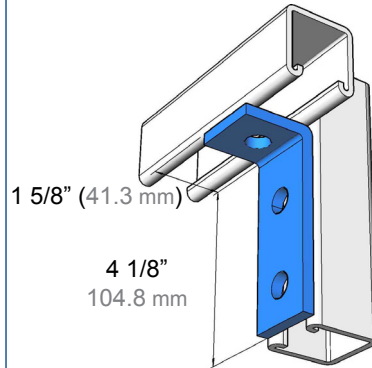
CROSSING CONNECTIONS

TWO HOLE ANGLE



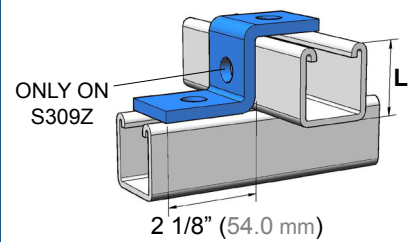
S205A-HG

THREE HOLE ANGLE



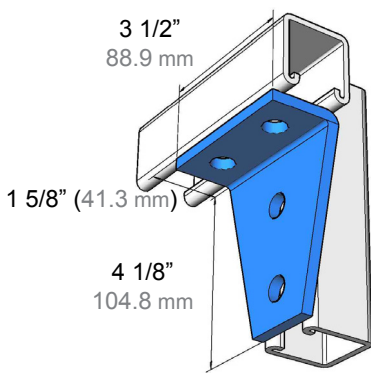
S209A-HG

Z SHAPED ANGLE



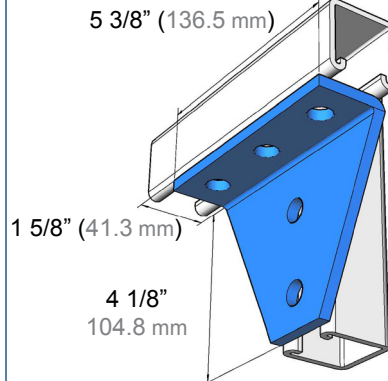
	L	
S315Z-HG	3 1/4"	82.6 mm
S313Z-HG	2 7/16"	61.9 mm
S309Z-HG	1 5/8"	41.3 mm
S312Z-HG	1"	25.4 mm
S301Z-HG	13/16"	20.6 mm

FOUR HOLE ANGLE



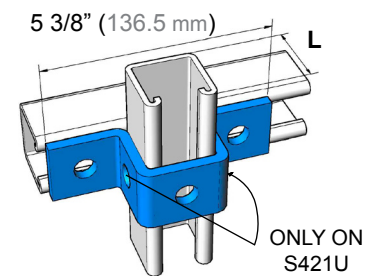
S235A-HG

FIVE HOLE ANGLE



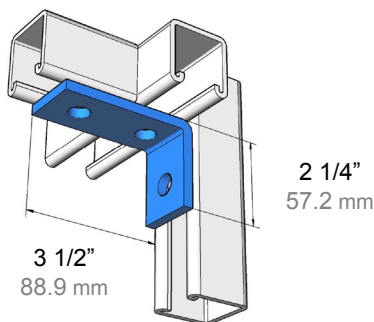
S230A-HG

U SHAPED FITTING



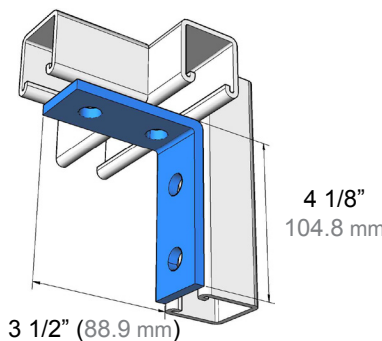
	L	
S425U-HG	3 1/4"	82.6 mm
S424U-HG	2 7/16"	61.9 mm
S421U-HG	1 5/8"	41.3 mm
S420U-HG	1"	25.4 mm
S419U-HG	13/16"	20.6 mm

THREE HOLE ANGLE



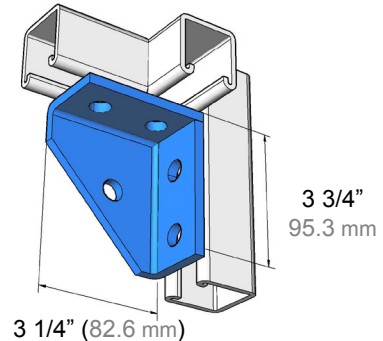
S212A-HG

FOUR HOLE ANGLE



S214A-HG

FIVE HOLE ANGLE



S216A-HG LEFT HAND (shown)
S215A-HG RIGHT HAND

GENERAL DATA	(Inches)	(mm)
Hole Diameter	9/16	14.3
Hole Spacing from End	13/16	20.6
Hole Spacing on Centre	1 7/8	47.6
Width	1 1/2	38.1
Thickness	1/4	6.4

Dimensions are to outside edge unless otherwise indicated.

Finish Suffix Legend:

Hot Dip Galvanized After Fabrication	-HG
Pre-galvanized	-G
Electroplated Zinc	-EG
Stainless Steel Type 304	-SS4
Stainless Steel Type 316	-SS6

CONTENTS

INDEX

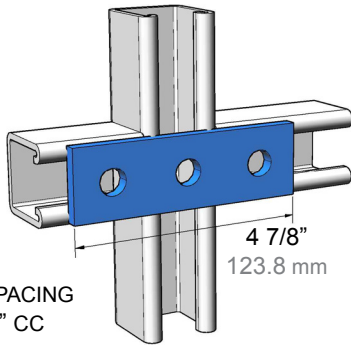
GENERAL INFO.

CONTACT US

To assist in the selection of the proper fitting for your application, Sasco fittings, many of which have multiple applications, are grouped according to their most common use.

CROSSING CONNECTIONS

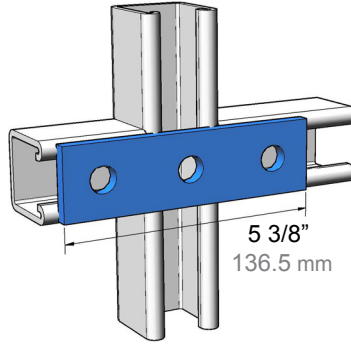
THREE HOLE FLAT PLATE



HOLE SPACING
1 5/8" CC
41.3 mm

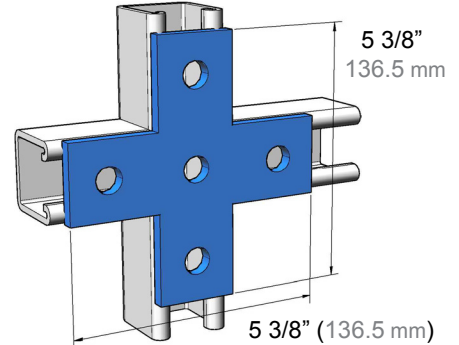
S113P-HG

THREE HOLE FLAT PLATE



S111P-HG

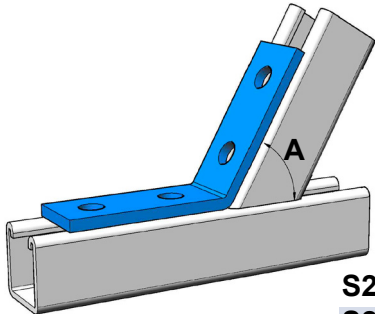
FIVE HOLE CROSS PLATE



S121P-HG

ANGLE CONNECTIONS

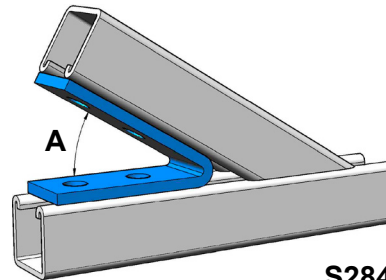
FOUR HOLE OPEN ANGLES



OTHER ANGLES AVAILABLE

S265A-HG	A	30°
S267A-HG	A	45°
S269A-HG	A	60°

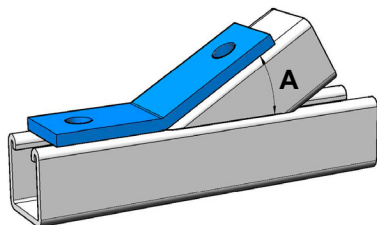
FOUR HOLE CLOSED ANGLES



OTHER ANGLES AVAILABLE

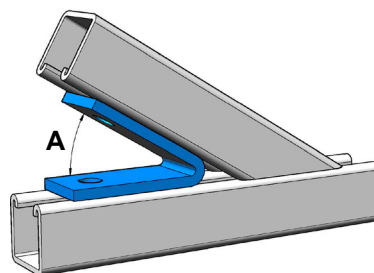
S284A-HG	A	30°
S285A-HG	A	45°
S283A-HG	A	60°

TWO HOLE OPEN ANGLES



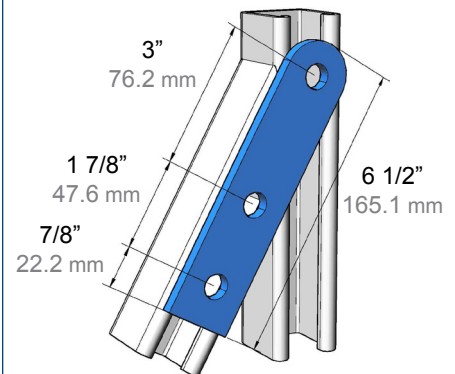
S258A-HG	A	30°	OTHER ANGLES AVAILABLE
S255A-HG	A	45°	
S253A-HG	A	60°	

TWO HOLE CLOSED ANGLES



S279A-HG	A	30°	OTHER ANGLES AVAILABLE
S278A-HG	A	45°	
S276A-HG	A	60°	

THREE HOLE ADJUSTABLE PLATE



S117P-HG

GENERAL DATA	(Inches)	(mm)
Hole Diameter	9/16	14.3
Hole Spacing from End	13/16	20.6
Hole Spacing on Centre	1 7/8	47.6
Width	1 1/2	38.1
Thickness	1/4	6.4

Dimensions are to outside edge unless otherwise indicated.

Finish Suffix Legend:

Hot Dip Galvanized After Fabrication	-HG
Pre-galvanized	-G
Electroplated Zinc	-EG
Stainless Steel Type 304	-SS4
Stainless Steel Type 316	-SS6

[CONTENTS](#)

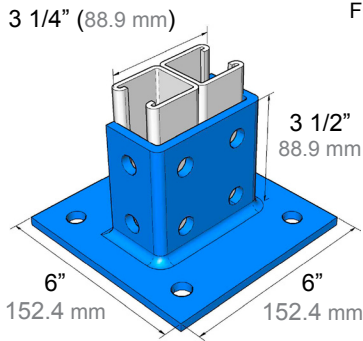
[INDEX](#)

[GENERAL INFO.](#)

[CONTACT US](#)

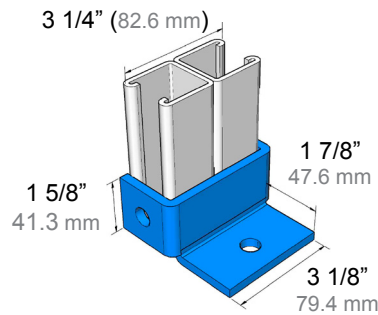
To assist in the selection of the proper fitting for your application, Sasco fittings, many of which have multiple applications, are grouped according to their most common use.

POST BASES



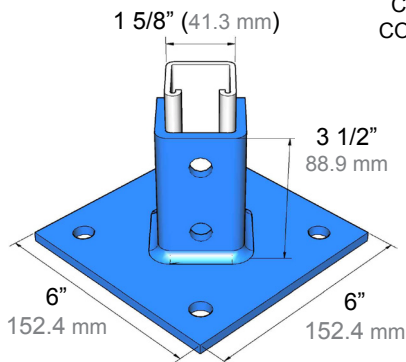
S500PB-HG

FOR 1 5/8" x 3 1/4"
CHANNEL AND
COMBINATIONS



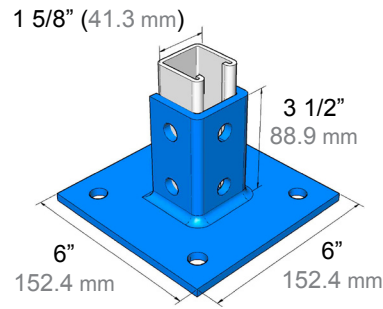
S505PB-HG

FOR 1 5/8" x 3 1/4"
CHANNEL AND
COMBINATIONS



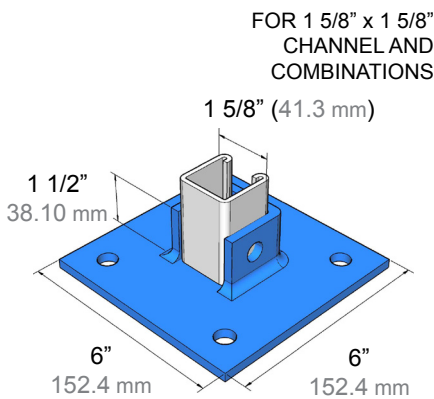
S501DPB-HG

FOR 1 5/8" x 1 5/8"
CHANNEL AND
COMBINATIONS



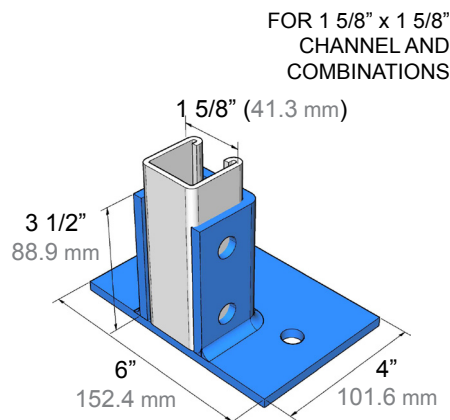
S501PB-HG

FOR 1 5/8" x 1 5/8"
CHANNEL AND
COMBINATIONS



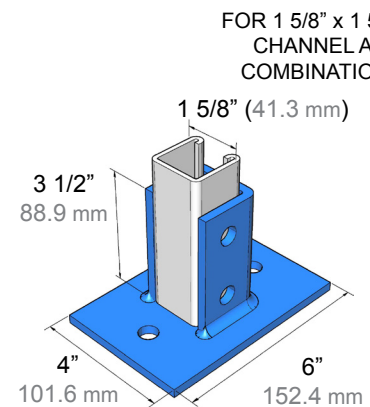
S503PB-HG

FOR 1 5/8" x 1 5/8"
CHANNEL AND
COMBINATIONS



S508PB-HG

FOR 1 5/8" x 1 5/8"
CHANNEL AND
COMBINATIONS



S509PB-HG

FOR 1 5/8" x 1 5/8"
CHANNEL AND
COMBINATIONS

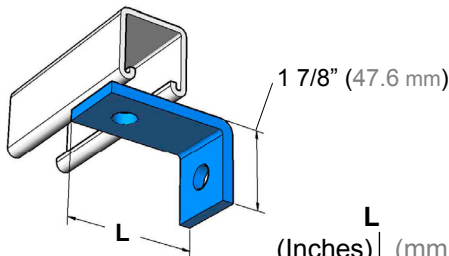
GENERAL DATA	(Inches)	(mm)
Hole Diameter	9/16	14.3
Hole Spacing from End	13/16	20.6
Hole Spacing on Centre	1 7/8	47.6
Width	1 1/2	38.1
Thickness	1/4	6.4

Dimensions are to outside edge unless otherwise indicated.

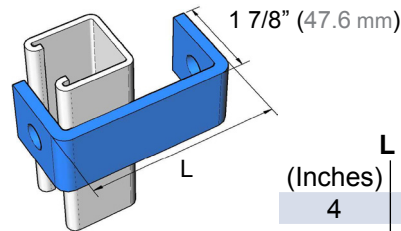
Finish Suffix Legend:

Hot Dip Galvanized After Fabrication	-HG
Pre-galvanized	-G
Electroplated Zinc	-EG
Stainless Steel Type 304	-SS4
Stainless Steel Type 316	-SS6

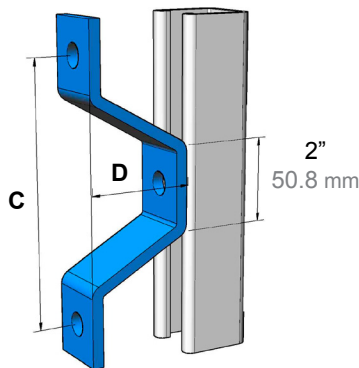
OFFSET CONNECTIONS



L		Catalogue No.
(Inches)	(mm)	
3	76.2	S208-3A-HG
3 1/2	88.9	S208-35A-HG
4	101.6	S208-4A-HG

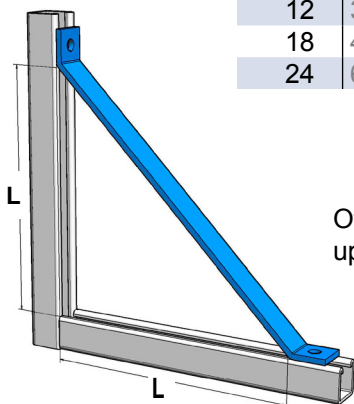


L		Catalogue No.
(Inches)	(mm)	
4	101.6	S402U-HG
5	127.0	S403U-HG
6	152.4	S404U-HG
7	177.8	S405U-HG
8	203.2	S406U-HG



Depth (D)		Centres (C)		Catalogue No.
(Inches)	(mm)	(Inches)	(mm)	
2 3/8	60.3	6	152.4	S780-6HG
4 3/8	111.1	8	203.2	S780-8HG
6 3/8	161.9	10	254.0	S780-10HG
8 3/8	212.7	12	304.8	S780-12HG
10 3/8	263.5	14	355.6	S780-14HG

BRACES



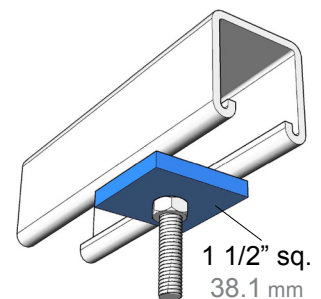
L		Catalogue No.
(Inches)	(mm)	
12	304.8	S800-12HG
18	457.2	S800-18HG
24	609.6	S800-24HG

Other sizes available upon request.

SQUARE WASHERS

A Sasco Square Washer and hex nut ensure positive locking of Clamping Nuts. Hex nut not included.

Hole Diameter		Catalogue No.
(Inches)	(mm)	
11/32	8.7	S101P-HG
7/16	11.1	S102P-HG
9/16	14.3	S103P-HG
11/16	17.5	S104P-HG
13/16	20.6	S105P-HG



2" x 2", 3 1/2" x 3 1/2" and 4" x 4" available upon request.

GENERAL DATA	(Inches)	(mm)
Hole Diameter	9/16	14.3
Hole Spacing from End	13/16	20.6
Hole Spacing on Centre	1 7/8	47.6
Width	1 1/2	38.1
Thickness	1/4	6.4

Dimensions are to outside edge unless otherwise indicated.

Finish Suffix Legend:	
Hot Dip Galvanized After Fabrication	-HG
Pre-galvanized	-G
Electroplated Zinc	-EG
Stainless Steel Type 304	-SS4
Stainless Steel Type 316	-SS6