

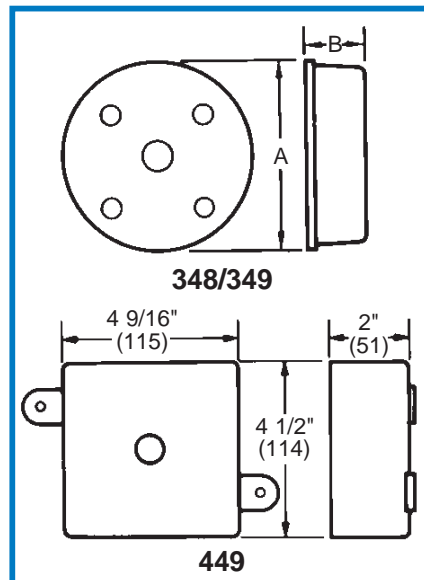
# Edwards® Adaptabel® Accessories

## Weatherproof Back Boxes

- Rugged Die-cast aluminum
- Tapped for 3/4" (19 mm) conduit
- Molded neoprene gasket
- Corrosion resistant finish
- Use 348 for 4" 340 bells
- Use 349 for 6" & 10" 340 bells
- Use 449 for 4", 6", 8" & 10" 435 & 6", 8" & 10" 439D bells

## Agency Approvals

- Weatherproof boxes UL Listed for outdoor use.

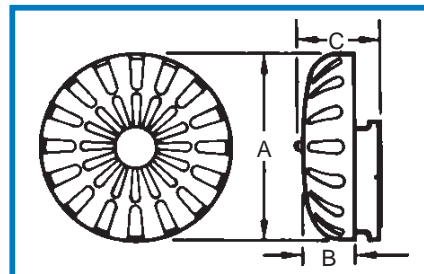


**Cat. No.  
348/349**

Cat. No.	A	B
348	5 1/8" (130mm)	1 5/8" (41mm)
349	6 1/2" (165mm)	1 5/8" (41mm)
449	See Drawing	

## Full Cast Grid Kits

- Corrosion resistant gray finish
- Use with 332, 333, 340 & 435 Bells
- Use 340-4-GRID for 4" 332, 333, 340 & 435 bells
- Use 340-6-GRID for 6" 332, 333, 340 & 435 bells
- Use 340-10-GRID for 10" 332, 340 & 435 bells

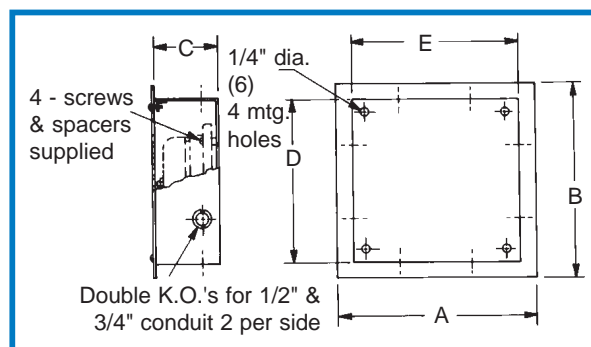


**Cat. No.  
340(-)-GRID**

Cat. No.	A	B	C
340-4-GRID	5 5/8" (143mm)	1 1/2" (38mm)	3 1/2" (89mm)
340-6-GRID	7" (178mm)	2 5/8" (67mm)	4 1/16" (103mm)
340-10-GRID	10 13/16" (275mm)	3 3/8" (86mm)	4 11/16" (119mm)

## Flush Mount Grille and Wall Box

- Use with 4", 6", and 10" Adaptabels
- Use 512-A with 338 and 339 Chimes
- Use where flush mounting is desired such as in offices
- Provides protection against vandalism
- Grille comes in flat white finish
- Order Wall Box separately (Refer to Chart)
- Wall Box finished in gray enamel



**Cat. No.  
511-A**

Cat. No.	Usage	Wall Box Part No.	A	B	C	D	E
511-A	4" Bells	511-1	10" (254mm)	10" (254mm)	3 7/8" (39mm)	8" (203mm)	8" (203mm)
512-A	6" Bells	512-1	12" (305mm)	12" (305mm)	4 1/4" (108mm)	10" (254mm)	10" (254mm)
513-A	10" Bells	513-1	16" (406mm)	16" (406mm)	5" (127mm)	14" (356mm)	14" (356mm)