



MARCUS

Marcus Transformer LTD
 Phone: 1-800-267-7376
 Fax: 1-866-205-7526
 Email: Info@marcustransformer.com

TECHNICAL DATA MODEL: MS 75A2

1-PHASE ISOLATING

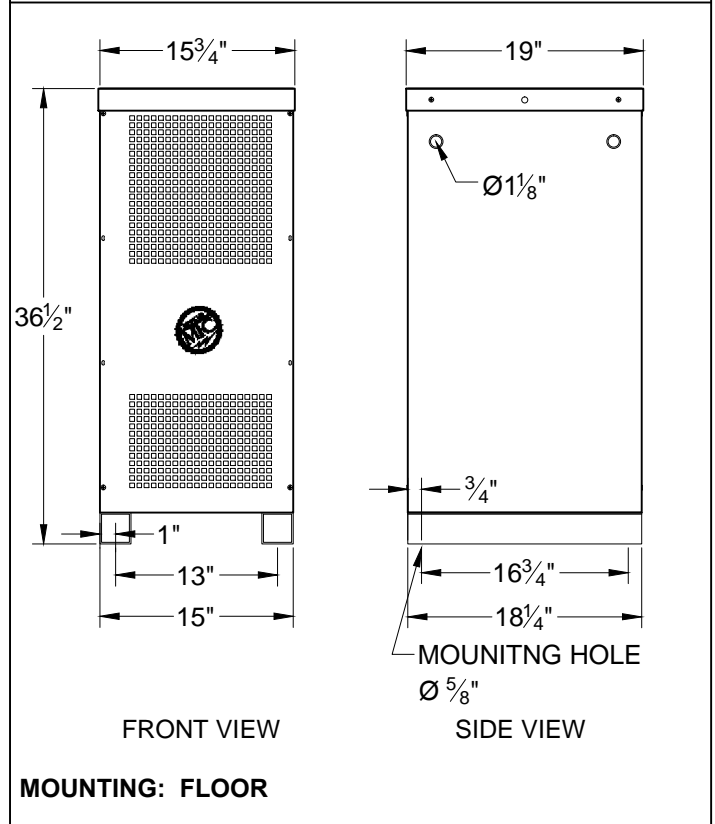
DESCRIPTION	
Type	DRY TYPE DISTRIBUTION (ANN)
KVA	75
Primary (Volts)	600
Secondary (Volts)	120 / 240
Phase	1
Enclosure	NEMA 1
Impedance (%z)	3.5
Insulation Class	220°C
Temperature Rise	150°C
Frequency	60Hz
Weight (LBS/KG)	525 / 238
Polarity	Additive
BIL.	10KV

PERFORMANCE	
No load loss	198W
Total loss	1400W
Noise level	50dB

EFFICIENCY			
			Efficiency = 98.5% (As per CSA C802.2 & NEMA TP-1)

Primary connectors per phase :	250MCM-#6
Secondary connectors per phase:	350MCM(D)-#6

PHYSICAL DIMENSIONS



FEATURES:

- Anti-vibration pads installed between the core/coil and the enclosure
- Ground lug provided
- Leads brought-up and solidly positioned into separate terminal boards
- CSA enclosure: ventilated painted ASA 61gray
- Transformer meets the efficiency values as per CSA C802.2 / NEMA TP-1
- Copper ground strap between core/coil and enclosure
- CSA certified / UL listed
- Copper windings

Customer / PO	
Project	
Engineer	
Contractor	
Revision Date	

COMMENTS



MARCUS

Marcus Transformer LTD
 Phone: 1-800-267-7376
 Fax: 1-866-205-7526
 Email: Info@marcustransformer.com

TECHNICAL DATA MODEL: MS 75B2

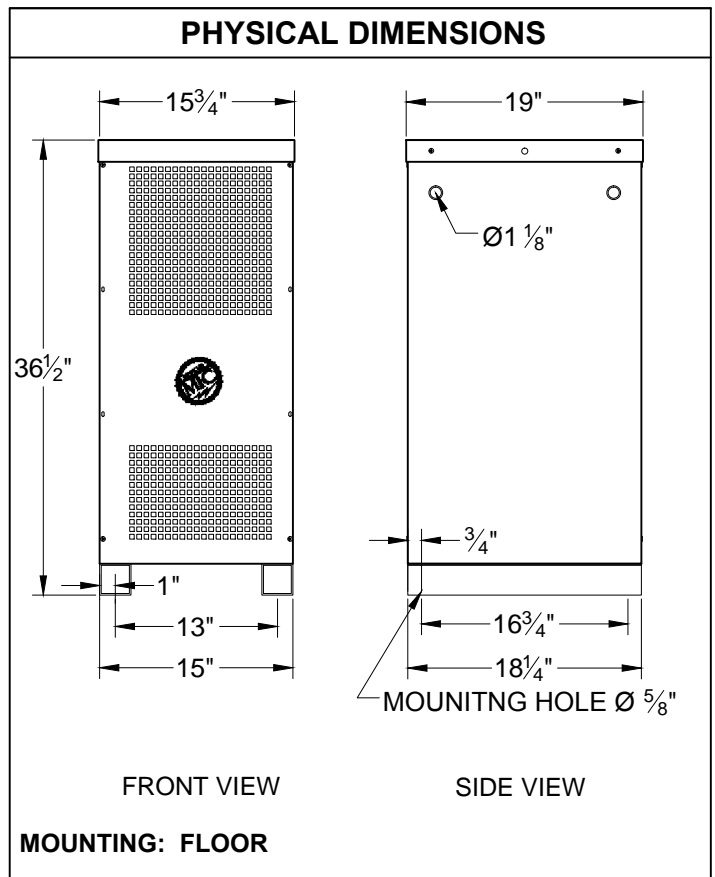
1-PHASE ISOLATING

DESCRIPTION	
Type	DRY TYPE DISTRIBUTION (ANN)
KVA	75
Primary (Volts)	480
Secondary (Volts)	120 / 240
Phase	1
Enclosure	NEMA 1
Impedance (%z)	3.5
Insulation Class	220°C
Temperature Rise	150°C
Frequency	60Hz
Weight (LBS/KG)	525 / 238
Polarity	Additive
BIL.	10KV

PERFORMANCE	
No load loss	198W
Total loss	1400W
Noise level	50dB

EFFICIENCY			
			Efficiency = 98.5% (As per CSA C802.2 & NEMA TP-1)

Primary connectors per phase :	250MCM-#6
Secondary connectors per phase:	350MCM(D)-#6



FEATURES:

- Anti-vibration pads installed between the core/coil and the enclosure
- Ground lug provided
- Leads brought-up and solidly positioned into separate terminal boards
- CSA enclosure: ventilated painted ASA 61gray
- Transformer meets the efficiency values as per CSA C802.2 / NEMA TP-1
- Copper ground strap between core/coil and enclosure
- CSA certified / UL listed
- Copper windings

Customer / PO	
Project	
Engineer	
Contractor	
Revision Date	

COMMENTS