



# MARCUS

Marcus Transformer LTD  
 Phone: 1-800-267-7376  
 Fax: 1-866-205-7526  
 Email: Info@marcustransformer.com

## TECHNICAL DATA MODEL: MS 10A2

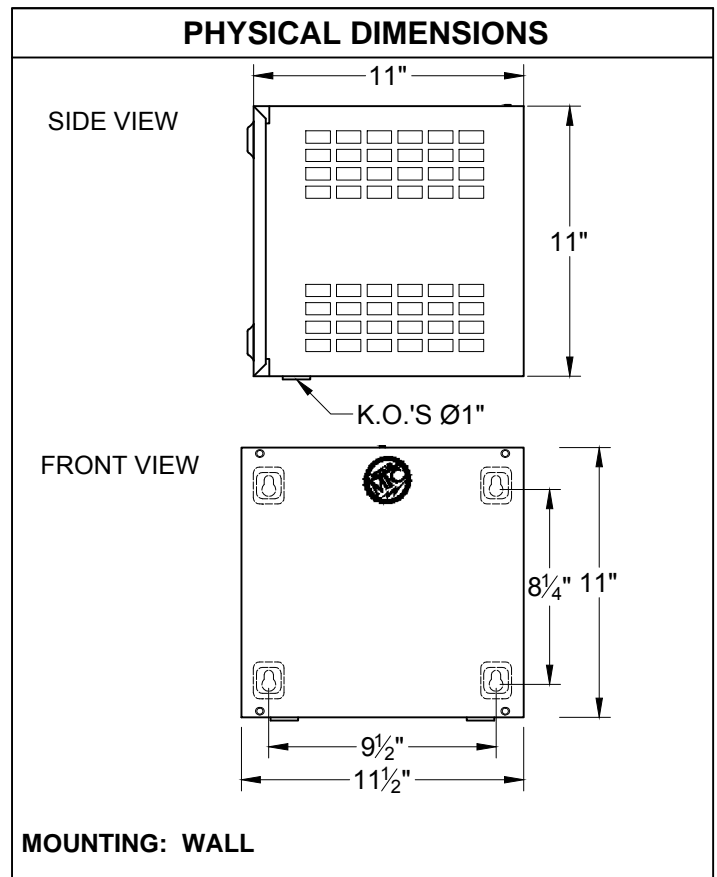
1-PHASE ISOLATING

DESCRIPTION	
Type	DRY TYPE DISTRIBUTION (ANN)
KVA	10
Primary (Volts)	600
Secondary (Volts)	120 / 240
Phase	1
Enclosure	NEMA 1
Impedance (%z)	4.8
Insulation Class	220°C
Temperature Rise	150°C
Frequency	60Hz
Weight (LBS/KG)	90 / 41
Polarity	Additive
BIL.	10KV

PERFORMANCE	
No load loss	39W
Total loss	490W
Noise level	45dB

EFFICIENCY			
			Efficiency = 95.1%

Primary connectors per phase :	#2-14
Secondary connectors per phase:	#2/0-10



### FEATURES:

- Anti-vibration pads installed between the core/coil and the enclosure
- Ground lug provided
- Leads brought-up and solidly positioned into separate terminal boards
- CSA enclosure: ventilated painted ASA 61gray
- Copper windings
- Copper ground strap between core/coil and enclosure
- CSA certified / UL listed

Customer / PO	
Project	
Engineer	
Contractor	
Revision Date	

COMMENTS



# MARCUS

Marcus Transformer LTD  
 Phone: 1-800-267-7376  
 Fax: 1-866-205-7526  
 Email: Info@marcustransformer.com

## TECHNICAL DATA MODEL: MS 10B2

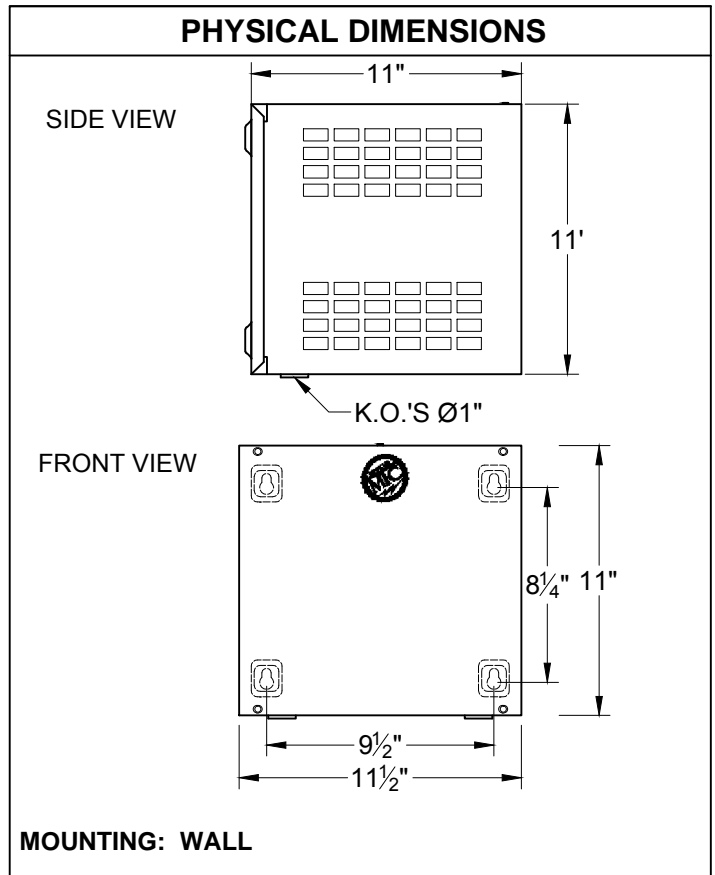
1-PHASE ISOLATING

DESCRIPTION	
Type	DRY TYPE DISTRIBUTION (ANN)
KVA	10
Primary (Volts)	480
Secondary (Volts)	120 / 240
Phase	1
Enclosure	NEMA 1
Impedance (%z)	4.8
Insulation Class	220°C
Temperature Rise	150°C
Frequency	60Hz
Weight (LBS/KG)	90 / 41
Polarity	Additive
BIL.	10KV

PERFORMANCE	
No load loss	39W
Total loss	490W
Noise level	45dB

EFFICIENCY			
			Efficiency = 95.1%

Primary connectors per phase :	#2-14
Secondary connectors per phase:	#2/0-10



### FEATURES:

- Anti-vibration pads installed between the core/coil and the enclosure
- Ground lug provided
- Leads brought-up and solidly positioned into separate terminal boards
- CSA enclosure: ventilated painted ASA 61gray
- Copper windings
- Copper ground strap between core/coil and enclosure
- CSA certified / UL listed

Customer / PO	
Project	
Engineer	
Contractor	
Revision Date	

COMMENTS