

FEATURES & SPECIFICATIONS

INTENDED USE — Low-profile static luminaire provides general illumination for recessed applications; ideal for restricted plenum spaces. **Certain airborne contaminants can diminish integrity of acrylic.** [Click here for Acrylic Environmental Compatibility table for suitable uses.](#)

CONSTRUCTION — Smooth hemmed sides and smooth, inward formed end flanges for safe handling. Lighter weight fixture allows for safe, easy installation.

Standard steel door frame has superior structural integrity with premium extruded appearance and precision flush mitered corners. Steel door allows easy lens replacement without frame disassembly (for lenses up to .156" thick). Powder painted, steel latches provide easy, secure door closure.

Superior mechanical light seal requires no foam gasketing. Integral T-bar clips secure fixture to T-bar system. Housing formed from cold-rolled steel. Acrylic shielding material 100% UV stabilized. No asbestos is used in this product.

Designed exclusively for use with T8 lamps, electronic ballasts and sockets.

Finish: Five-stage iron-phosphate pretreatment ensures superior paint adhesion and rust resistance. Painted parts finished with high-gloss, baked white enamel.

ELECTRICAL — Standard ballast is electronic, thermally protected, resetting, Class P, HPF, non-PCB, UL Listed, CSA certified ballast, universal voltage and sound rated A.

Luminaire is suitable for damp locations. AWM, TFN or THHN wire used throughout, rated for required temperatures.

MVOLT ballasts are NEMA Premium®/CEE qualified ballasts. Full light output - reduced energy. Less than 10% THD. Multi-volt operation, 120-277V.

LISTING — Standard: CUL/CSA.

WARRANTY — Fixtures, including ballasts, are covered by Lithonia Lighting 24-month warranty against mechanical defects in manufacture.

US patents: 6,210,025; 6,231,213; 2,288,471.

Specifications subject to change without notice.

Catalog Number
Notes
Type

Contractor Select

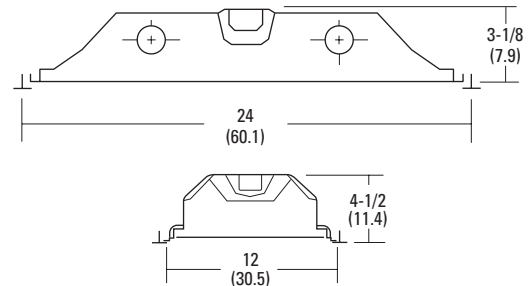
Troffers CUL/CSA



2GT 2X4



2GT2X2



<i>GT Specifications</i>	<i>2GT 2x2 Specifications</i>	<i>2GT 2x4 Specifications</i>
Length: 48 (121.9)	Length: 24 (60.1)	Length: 48 (121.9)
Width: 12 (30.5)	Width: 24 (60.1)	Width: 24 (60.1)
Depth: 4-1/2 (11.4)	Depth: 3-1/8 (7.9)	Depth: 3-1/8 (7.9)

All dimensions are inches (centimeters).

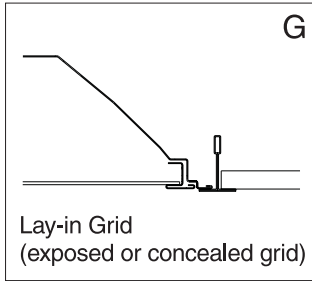
ORDERING INFORMATION

Catalog Number	UPC	Description	# of Lamps ¹	Length	Wattage	# of Ballast	Voltage	Ballast Type	Pallet Qty	Standard Carton Qty
GT2 MV CSA	745975421336	2x4 Troffer	2	48"	32	1	120-277	Electronic, Instant Start	28	1
GT3 MV CSA	745975421367	2x4 Troffer	3	48"	32	1	120-277	Electronic, Instant Start	28	1
GT4 MV CSA	745975422173	2x4 Troffer	4	48"	32	1	120-277	Electronic, Instant Start	28	1
GT2U MV CSA	745975506804	2x2 Troffer	2	24"	32	1	120-277	Electronic, Instant Start	56	1
1GT2 MV	745975477586	1x4 Troffer	2	48"	32	1	120-277	Electronic, Instant Start	40	1

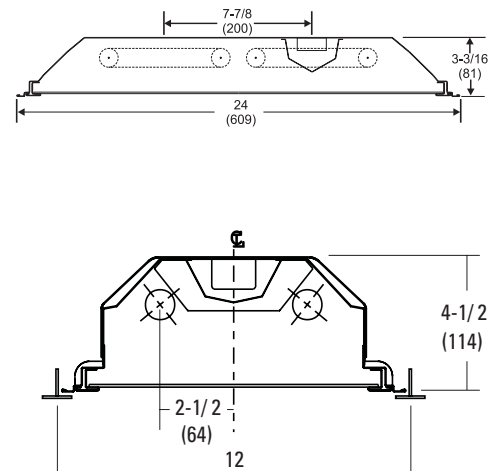
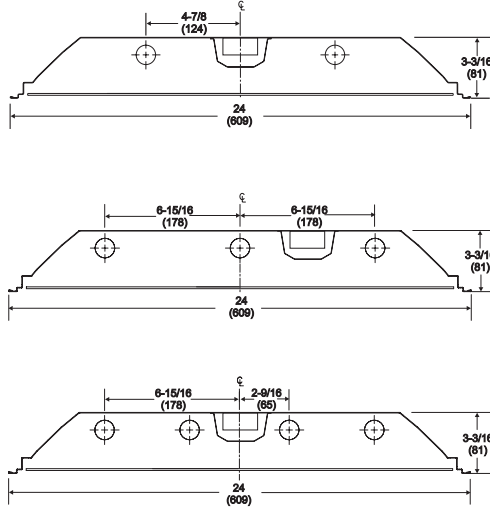
Notes

¹ Lamps not included.

MOUNTING DATA



DIMENSIONS



PHOTOMETRICS

Calculated using the zonal cavity method in accordance with IESNA LM41 procedure. Floor reflectances are 20%. Lamp configurations shown are typical. Full photometric data on these and other configurations available upon request.

GT2U MV CSA

Report LTL 7534

Lumens per lamp - 2600 – Lum. eff. - 72.9%

S/MH (along) 1.2 (across) 1.4

Coefficient of Utilization

Ceiling	80%			70%			50%		
Wall	70%	50%	30%	70%	50%	30%	70%	50%	30%
0	87	87	87	85	85	85	81	81	81
1	80	77	74	78	75	72	72	70	68
2	73	68	63	71	66	62	64	60	57
3	67	60	54	65	59	54	57	52	49
4	62	54	48	60	53	47	51	46	42
5	57	48	42	56	47	42	46	41	37
6	53	44	37	52	43	37	42	36	32
7	49	40	34	48	39	33	38	33	29
8	46	36	30	45	36	30	35	30	26
9	43	33	28	42	33	27	32	27	23
10	40	31	25	39	30	25	30	25	21

Zonal Lumens Summary

Zone	Lumens	%Lamp	%Fixture
0-30	1191	22.9	31.4
0-40	1950	37.5	51.4
0-60	3220	61.9	84.9
0-90	3793	72.9	100.0
90-180	0	0	0
0-180	3793	72.9	100.0

GT3 MV CSA

Report LTL 7421

Lumens per lamp - 2850 – Lum. eff. - 80.1%

S/MH (along) 1.2 (across) 1.4

Coefficient of Utilization

Ceiling	80%			70%			50%		
Wall	70%	50%	30%	70%	50%	30%	70%	50%	30%
0	95	95	95	93	93	93	89	89	89
1	88	84	81	85	82	79	79	76	74
2	80	74	69	78	72	68	70	66	62
3	74	66	59	72	64	58	62	57	53
4	68	58	52	66	57	51	55	50	46
5	62	52	45	61	52	45	50	44	40
6	58	47	40	56	47	40	45	39	35
7	54	43	36	52	42	36	41	35	31
8	50	39	33	49	39	32	38	32	28
9	47	36	30	45	36	29	35	29	25
10	44	33	27	43	33	27	32	27	23

Zonal Lumens Summary

Zone	Lumens	%Lamp	%Fixture
0-30	2066	24.2	30.2
0-40	3412	39.9	49.8
0-60	5768	67.5	84.2
0-90	6851	80.1	100.0
90-180	0	0	0
0-180	6851	80.1	100.0

1GT2 MV

Report: LTL12536

LUMENS PER LAMP 2850

Luminaire Efficiency: 77.7%

Coefficients of Utilization

pf	pc	80%			20%			30%		
		70%	50%	30%	50%	30%	10%	50%	30%	10%
0	92	92	92	86	86	86	83	83	83	
1	85	82	79	77	74	72	74	72	70	
2	78	72	67	68	64	61	66	63	60	
3	72	64	58	61	56	52	59	55	51	
4	66	58	51	55	50	45	53	48	45	
5	61	52	45	49	44	40	48	43	39	
6	57	47	40	45	39	35	44	39	35	
7	53	43	36	41	36	32	40	35	31	
8	49	39	33	38	32	28	37	32	28	
9	46	36	30	35	30	26	34	29	26	
10	43	33	28	32	27	24	32	27	23	

Zonal Lumen Summary

Zone	Lumens	% Lamp	% Fixture
0° - 30°	1471	25.8	33.2
0° - 40°	2347	41.2	53.0
0° - 60°	3777	66.3	85.3
0° - 90°	4426	77.7	100.0
90° - 180°	0	0.0	0.0
0° - 180°	4426	77.7	100.0