

## PLC-5 1771 To ControlLogix 1756

### Bulletin 1492 Conversion Mounting Assembly

**The Bulletin 1492 Conversion Modules must be installed in a Bulletin 1492 Conversion Mounting Assembly (see Table 1 below). A complete System Installation Manual ships with the Bulletin 1492 Conversion Mounting Assembly.**

- Step 1: Determine the quantity of each type of Bul. 1771 I/O modules used in the Bul. 1771 I/O chassis to be converted
- Step 2: Select the applicable Bul. 1492 conversion modules from Table 2, Section III
- Step 3: Review the Max Slots for I/O and Chassis Width data from the Table 1 below
- Step 4: Select a Bul. 1756 I/O chassis which has enough I/O slots  
NOTE: (2) I/O slots are required in the Bul. 1756 chassis for conversions where (1) Bul. 1771 I/O module converts to (2) Bul. 1756 I/O modules
- Step 5: Select the Bul. 1492 conversion mounting assembly which has enough conversion module slots.  
NOTE: (2) conversion module slots are required in the Bul. 1492 conversion mounting assembly for conversions where (2) Bul. 1771 I/O module convert to (1) Bul. 1756 I/O modules.
- Step 6: The combined depth of the Bul. 1492 conversion mounting assembly with the Bul. 1756 chassis mounted on top is 10.25 inches (controller w/key) or 10.0 inches (controller w/o key).
- Step 7: Dimension drawings are included in the System Installation Manual that ships with the 1492 Conversion Mounting Assembly.

**Table 1: Quick Selection**

Bulletin 1771 Chassis				Bulletin 1756 Chassis			Bulletin 1492 Conversion Mounting Assembly		
Cat. No.	Max Slots for I/O	Chassis Width† in. (mm)		Cat. No.	Max Slots for I/O	Chassis Width in. (mm)	Cat. No.	Max Slots for Conversion Modules	Chasis Width in. (mm)
		Without Power Supply	With Power Supply						
1771-A1B	4	9.01 (229)	12.61 (320)	1756-A4	3	10.35 (263)	1492-MUA1B-A4-A7	4	9.01 (229)
				1756-A7	6	14.49 (368)			
1771-A2B	8	14.01 (356)	17.61 (447)	1756-A7	6	14.49 (368)	1492-MUA2B-A7-A10	8	14.01 (356)
				1756-A10	9	19.02 (483)			
1771-A3B1 *	12	19.01 (483)		1756-A10	9	19.02 (483)	1492-MUA3-A10-A13	12	19.01 (483)
				1756-A13	12	23.15 (588)			
1771-A4B	16	24.01 (610)		1756-A13	12	23.15 (588)	1492-MUA4-A13-A17	16	24.01 (610)
				1756-A17	16	29.06 (738)			

\* 1771-A3B is not listed as it is used for 19 inch wide instrumentation panels.

‡ Notice that the 1756 Chassis Width sometimes exceeds the 1771 Chassis Width, with or without the Power Supply. The Cover-Plate of the 1492 Conversion Mounting Assembly allows the 1756 Chassis to be Left justified, Right justified or Centered. A complete System Installation Manual ships with the 1492 Conversion Mounting Assembly.

### Compatibility

**Table 2: Bulletin 1771 to Bulletin 1756 Conversion Modules and Cables**

Bulletin 1771 Analog I/O Module★	Bulletin 1756 Analog I/O Module★	Bulletin 1492 I/O Conversion Module	Bulletin 1492 Cable‡
1771-IFE (DC)	1756-IF16 (DC)	1492-CM1771-LA002	1492-CONACAB005D
1771-IFE (DV)	1756-IF16 (DV)	1492-CM1771-LA002	1492-CONACAB005C
1771-IFF (DC)	1756-IF16 (DC)	1492-CM1771-LA002	1492-CONACAB005D
1771-IFF (DV)	1756-IF16 (DV)	1492-CM1771-LA002	1492-CONACAB005C

\* To understand any issues concerning I/O module compatibility, refer to the Installation Manuals for the specific Bul. 1771 and Bul. 1756 I/O modules involved.

‡ The 3 numbers indicate the length of the 1492 Cable. Recommended cable lengths of 0.5M are shown. Additional cable lengths are as follows:  
1.0M = 1492-CONACAB010C  
1.0M = 1492-CONACAB010D

## Product Selection - Digital and Analog I/O Modules

### Table 2A - Digital Inputs

Step 1: In Column 1, find the Cat. No. of the Bulletin 1771 Digital I/O module.

Step 2: In column 2, find the Cat. No. of the compatible Bulletin 1756 Digital I/O module. In some cases more than one module exists. Review the matrix carefully and review the I/O module installation manuals to determine full compatibility.

Step 3: In column 3, find the Cat. No. of the Bulletin 1492 Conversion Module.

Step 4: In column 4, find the Cat. No. of the Bulletin 1492 Cable.

1		2		3		4	
Bulletin 1771 Digital I/O Module ♦	Qty.	Bulletin 1756 Digital I/O Module ♦	Qty.	Bulletin 1492 Conversion Module		Bulletin 1492 Cable ★	
				Cat. No.	Order Qty.	Cat. No.	Order Qty.
1771-IA	2	1756-IA16	1	1492-CM1771-LD007	2	1492-C005005XE	1
1771-IA2	2	1756-IA16	1	1492-CM1771-LD007	2	1492-C005005XE	1
1771-IAD	1	1756-IA16	1	1492-CM1771-LD001	1	1492-CONCAB005X	1
1771-IAD	1	1756-IH16I	1	1492-CM1771-LD002	1	1492-CONCAB005Y	1
1771-IAN	1	1756-IA32	1	1492-CM1771-LD003	1	1492-CONCAB005Z	1
1771-IB	2	1756-IB16	1	1492-CM1771-LD007	2	1492-C005005XE	1
1771-IBD	1	1756-IB16	1	1492-CM1771-LD001	1	1492-CONCAB005X	1
1771-IBN	1	1756-IB32	1	1492-CM1771-LD003	1	1492-CONCAB005Z	1
1771-IC	2	1756-IC16	1	1492-CM1771-LD007	2	1492-C005005XE	1
1771-ICD	1	1756-IC16	1	1492-CM1771-LD001	1	1492-CONCAB005X	1
1771-ID	2	1756-IA16I	1	1492-CM1771-LD012	2	1492-C005005XL	1
1771-ID01	2	1756-IM16I	1	1492-CM1771-LD012	2	1492-C005005XL	1
1771-ID16	1	1756-IA16I	1	1492-CM1771-LD004	1	1492-CONCAB005Y	1
1771-ID16	1	1756-IH16I	1	1492-CM1771-LD004	1	1492-CONCAB005Y	1
1771-IG	2	1756-IG16	1	♣ 1492-CM1771-LA003	2	1492-C005005XS	1
1771-IGD	1	1756-IG16	1	1492-CM1771-LD006	1	1492-CONCAB005X	1
1771-IH	2	1756-IC16	1	1492-CM1771-LD007	2	1492-C005005XE	1
1771-IM	2	1756-IM16I	1	1492-CM1771-LD007	2	1492-C005005XH	1
1771-IMD	1	1756-IM16I	1	1492-CM1771-LD002	1	1492-CONCAB005Y	1
1771-IN	2	1756-IN16	1	1492-CM1771-LD007	2	1492-C005005XE	1
1771-IND	1	1756-IN16	1	1492-CM1771-LD001	1	1492-CONCAB005X	1
1771-IND1	1	1756-IN16	1	1492-CM1771-LD001	1	1492-CONCAB005X	1
1771-IQ	2	1756-IB16I	1	1492-CM1771-LD007	2	Sink 1492-C005005XK	1
1771-IQ	2	1756-IB16I	1	1492-CM1771-LD014	2	Source 1492-C005005XJ	1
1771-IQ16	1	1756-IB16I	1	1492-CM1771-LD004	1	1492-CONCAB005Y	1
1771-IT	2	1756-IB16	1	1492-CM1771-LD007	2	1492-C005005XE	1
1771-IV	2	1756-IV16	1	1492-CM1771-LD014	2	1492-C005005XG	1
1771-IVN	1	1756-IV32	1	1492-CM1771-LD005	1	1492-CONCAB005Z	1

★ The 005 in the Cat. No. indicates cable length of the Bulletin 1492 cable. The recommended length of 0.5 M is listed, additional lengths are listed below.

1.0M Cable = 1492-CONCAB010\_  
1.0M/1.0M Cable= 1492-C010010X\_  
0.5M/1.0M Cable = 1492-C005010X\_  
1.0M/0.5M Cable = 1492-C010005X\_

♦ To understand any issues concerning I/O module compatibility refer to the conversion module wiring diagrams and the Installation Manuals for the specific I/O modules involved (with particular attention to the specification and wiring instructions).

♣ These 1771 Digital I/O Modules use a Swing Arm that only mounts to these Analog I/O Conversion Modules, which will therefore be used to provide for these 1771 Digital I/O conversions.

## Table 2B - Digital Outputs

Step 1: In Column 1, find the Cat. No. of the Bulletin 1771 Digital I/O module.

Step 2: In column 2, find the Cat. No. of the compatible Bulletin 1756 Digital I/O module. In some cases more than one module exists. Review the matrix carefully and review the I/O module installation manuals to determine full compatibility.

Step 3: In column 3, find the Cat. No. of the Bulletin 1492 Conversion Module.

Step 4: In column 4, find the Cat. No. of the Bulletin 1492 Cable.

1		2		3		4	
Bulletin 1771 Digital I/O Module ♦		Bulletin 1756 Digital I/O Module ♦		Bulletin 1492 Conversion Module		Bulletin 1492 Cable ★	
Cat. No.	Qty.	Cat. No.	Qty.	Cat. No.	Order Qty.	Cat. No.	Order Qty.
1771-OA	1	1756-OA8E	1	1492-CM1771-LD014	1	1492-CONCAB005U	1
1771-OAD	1	1756-OA16	1	1492-CM1771-LD006	1	1492-CONCAB005X	1
1771-OAN	1	♣ 1756-OA16	2	1492-CM1771-LD013	1	1492-CONCAB005S3	1
1771-OB	2	1756-OB16D	1	1492-CM1771-LD014	2	1492-C005005XF	1
1771-OBDB	1	1756-OB16E	1	1492-CM1771-LD006	1	1492-CONCAB005X	1
1771-OBDD	1	♣ 1756-OC8	2	Δ 1492-CM1771-LD008F	1	1492-CONCAB005S1	1
1771-OBDS	1	1756-OB16E	1	1492-CM1771-LD006	1	1492-CONCAB005X	1
1771-OBND	1	1756-OB32	1	Δ 1492-CM1771-LD009F	1	1492-CONCAB005Z	1
1771-OC	1	1756-OC8	1	1492-CM1771-LD014	1	1492-CONCAB005V	1
1771-OD	2	1756-OA16I	1	1492-CM1771-LD012	2	1492-C005005XM	1
1771-OD16	1	1756-OA16I	1	Δ 1492-CM1771-LD010F	1	1492-CONCAB005Y	1
1771-ODD	1	1756-OA16I	1	Δ 1492-CM1771-LD010F	1	1492-CONCAB005Y	1
1771-ODZ	2	1756-OA16I	1	1492-CM1771-LD012	2	1492-C005005XP	1
1771-OG	2	1756-OG16	1	♣ 1492-CM1771-LA003	1	1492-C005005XS	1
1771-OGD	1	1756-OG16	1	1492-CM1771-LD006	1	1492-CONCAB005X	1
1771-OM	2	1756-OA16	1	1492-CM1771-LD014	2	1492-C005005XG	1
1771-OMD	1	1756-OA16	1	1492-CM1771-LD006	1	1492-CONCAB005X	1
1771-ON	1	1756-ON8	1	1492-CM1771-LD014	1	1492-CONCAB005W	1
1771-OND	1	♣ 1756-ON8	2	1492-CM1771-LD006	1	1492-CONCAB005S2	1
1771-OQ	2	1756-OB16I	1	♣ 1492-CM1771-LA004	1	1492-C005005XT	1
1771-OQ16	1	1756-OB16I	1	Δ 1492-CM1771-LD010F	1	1492-CONCAB005Y	1
1771-OR	2	1756-OA16I	1	1492-CM1771-LD012	2	1492-C005005XR	1
1771-OVN	1	♣ 1756-OV16E	2	1492-CM1771-LD013	1	1492-CONCAB005S3	1
1771-OW	1	1756-OX8I	1	1492-CM1771-LD012	1	1492-CONCAB005Y	1
1771-OW16	1	1756-OW16I	1	1492-CM1771-LD011	1	1492-CONCAB005Y	1
1771-OWNA	1	♣ 1756-OW16I	2	1492-CM1771-LD013	1	1492-CONCAB005S4	1
1771-OY	1	1756-OX8I	1	1492-CM1771-LD012	1	1492-CONCAB005Y	1
1771-OYL	1	1756-OX8I	1	1492-CM1771-LD012	1	1492-CONCAB005Y	1
1771-OZ	1	1756-OX8I	1	1492-CM1771-LD012	1	1492-CONCAB005Y	1
1771-OZL	1	1756-OX8I	1	1492-CM1771-LD012	1	1492-CONCAB005Y	1

★ The 005 in the Cat. No. indicates cable length of the Bulletin 1492 cable. The recommended length of 0.5 M is listed, additional lengths are listed below.

- 1.0M Cable = 1492-CONCAB010\_
- 1.0M/1.0M Cable = 1492-C010010X\_
- 0.5M/1.0M Cable = 1492-C005010X\_
- 1.0M/0.5M Cable = 1492-C010005X\_

♣ The two 1756 modules must be located directly next to each other in the 1756 chassis.

Δ The "F" at the end of the 1492 I/O Conversion Module Catalog Number indicates it is fused to match the functionality of the 1771 module being replaced.

♦ To understand any issues concerning I/O module compatibility refer to the conversion module wiring diagrams and the Installation Manuals for the specific I/O modules involved (with particular attention to the specification and wiring instructions).

♣ These 1771 Digital I/O Modules use a Swing Arm that only mounts to these Analog I/O Conversion Modules, which will therefore be used to provide for these 1771 Digital I/O conversions.

### Table 3 - Analog Inputs and Outputs

Step 1: In Column 1, find the Cat. No. of the Bulletin 1771 Analog I/O module.

Step 2: In column 2, find the Cat. No. of the compatible Bulletin 1756 Analog I/O module. In some cases more than one module exists. Review the matrix carefully and review the I/O module installation manuals to determine full compatibility.

Step 3: In column 3, find the Cat. No. of the Bulletin 1492 Conversion Module.

Step 4: In column 4, find the Cat. No. of the Bulletin 1492 Cable.

1		2			3		4	
Bulletin 1771 Analog I/O Module*		Bulletin 1756 Analog I/O Module*			Bulletin 1492 Conversion Module		Bulletin 1492 Cable ‡	
Cat. No.	Qty.	Cat. No.	Description	Qty.	Cat. No.	Order Qty.	Cat. No.	Order Qty.
1771-IFE	1	1756-IF16	Diff Current	1	1492-CM1771-LA002	1	1492-CONACAB005D	1
			Diff Voltage	1	1492-CM1771-LA002	1	1492-CONACAB005C	1
			Sgl End Current	1	1492-CM1771-LA001	1	1492-CONACAB005B	1
			Sgl End Voltage	1	1492-CM1771-LA001	1	1492-CONACAB005A	1
1771-IFF	1	1756-IF16	Diff Current	1	1492-CM1771-LA002	1	1492-CONACAB005D	1
			Diff Voltage	1	1492-CM1771-LA002	1	1492-CONACAB005C	1
			Sgl End Current	1	1492-CM1771-LA001	1	1492-CONACAB005B	1
			Sgl End Voltage	1	1492-CM1771-LA001	1	1492-CONACAB005A	1
1771-IL (8-ch)	1	1756-IF61 (6-ch)	Current	1	1492-CM1771-LA004	1	1492-CONACAB005K	1
			Voltage	1	1492-CM1771-LA004	1	1492-CONACAB005L	1
		1756-IF61 (2 x 4ch)	Current	2	1492-CM1771-LA004	1	1492-CONACAB005T1	1
			Voltage	2	1492-CM1771-LA004	1	1492-CONACAB005T2	1
1771-IR	1	1756-IR61	—	1	1492-CM1771-LA004	1	1492-CONACAB005F	1
1771-IXE	1	1756-IT612	—	1	1492-CM1771-LA005	1	1492-CONACAB005G	1
1771-IXHR	1	1756-IT612	—	1	1492-CM1771-LA005	1	1492-CONACAB005G	1
1771-OFE1	1	1756-OF6VI	—	1	1492-CM1771-LA003	1	1492-CONACAB005E	1
1771-OFE2	1	1756-OF6CI	—	1	1492-CM1771-LA003	1	1492-CONACAB005E	1

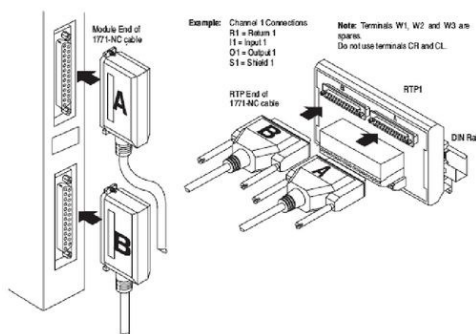
\* To understand any issues concerning I/O module compatibility refer to the conversion module wiring diagrams and the Installation Manuals for the specific I/O modules involved (with particular attention to the specification and wiring instructions).

‡ The 005 in the Cat. No. indicates cable length of the Bulletin 1492 cable. The recommended length of 0.5 M is listed, additional lengths are listed below.  
1.0M Cable = Cat. No. 1492-CONCAB010\_

## Product Selection -High Resolution Isolated Analog I/O Modules

### Bulletin 1771-N High Resolution Isolated Analog I/O Modules

The Bulletin 1771-N High Resolution Analog I/O modules were designed to be used with Bulletin 1771-RTPs (Remote Termination Panels) and connected by a 6ft or 15ft cable (Cat. No. 1771-NC6 or 1771-NC15). The conversion of the Bul. 1771-N Series I/O to a Bul. 1756 ControlLogix I/O can be accomplished without the removal of any field wires from the existing Bul. 1771-RTPs. Simply replace the (2) existing Bul. 1771 cables with (2) of the following Bul. 1492 cables in the tables below. Each of these new Bul. 1492 cables has a connector on one end that attaches directly to the existing Bul. 1771-RTP and a Bul. 1756 RTB (Removable Terminal Block) on the other end for connection to the Bul. 1756 ControlLogix I/O module.



Please Note: These conversions do not require the use of the conversion mounting assemblies or conversion modules.

### Table 4 - Conversion Cables for Bulletin 1771-N Series I/O

Step 1: In Column 1, find the Cat. No. of the Bul.1771 Digital I/O module.

Step 2: In column 2, find the Cat. No. of the compatible Bul.1756 Digital I/O module. In some cases more than one module is required. Review the matrix carefully and

review the I/O module installation manuals to determine full compatibility.

Step 3: In column 3, find the Cat. No(s). and descriptions of the Bul. 1492 Cables required.

1		2		3			
Bulletin 1771 Analog I/O Module★		Bulletin 1756 Analog I/O Module★		Bulletin 1492 Cable ♣ Δ			
Cat. No.	Qty.	Cat. No.	Qty.	Description	Cat. No.	Replaces Cables	Order Qty.
1771-NOC	1	1756-OF6CI	2	Current, Isolated	1492-CONACAB020N1	A and B	2
‡ 1771-NOC	1	1756-OF8	1	Current, Non-Isolated	1492-CONACAB020N8	A and B	1
1771-NIS	1	1756-IF6CIS	2	Current	1492-CONACAB020N2	A and B	2
§ 1771-NIV	1	1756-IF6I	2	Current	1492-CONACAB020N3	A and B	2
		1756-IF6I	2	Voltage	1492-CONACAB020N7	A and B	2
		1756-IF6I	2	Current	1492-CONACAB020N3	A or B	1
				Voltage	1492-CONACAB020N7	A or B	1
1771-NR	1	1756-IR6I	2	RTD	1492-CONACAB020N4	A and B	2
1771-NT1	1	1756-IT6I	2	Thermocouple	1492-CONACAB020N5	A and B	2
1771-NOV	1	1756-OF6VI	2	Voltage	1492-CONACAB020N1	A and B	2
1771-NIV1	1	1756-IF6I	2	Voltage	1492-CONACAB020N7	A and B	2
1771-NT2	1	1756-IT6I2	2	Thermocouple	1492-CONACAB020N6	A and B	2

★ To understand any issues concerning I/O module compatibility refer to the Installation Manuals for the specific I/O modules involved.

‡ Cat. No. 1492-CONACAB020N8 has (2) connectors on one end for the RTP, so only (1) Cable is required.

§ Three conversions are possible using these two cables - (8 Voltage) or (8 Current) or (4 Voltage & 4 Current)

♣ These catalog numbers are for a 2.0M cable length. A 5.0M cable is also available. Change the 3 numerals in the middle of the catalog number from "020" to "050" (Example: Cat. No. 1492-CONACAB020N1 becomes Cat. No. 1492-CONACAB050N1).

Δ Only 2 cables can be used at one time. Each cable attaches to 1 of the 2 connectors on the existing RTP module. Each cable converts 4 of the Bul. 1771 channels to 4 of the 1756 channels. The other end of the cable attaches to 1 of the 2 new Bul. 1756 modules.

**Table 5- Conversion Cables for Bulletin 1771-N Series I/O Combination Modules**

1		2		3			
Bulletin 1771 Analog I/O Module★		Bulletin 1756 Analog I/O Module★		Bulletin 1492 Cables♣ Δ			
Cat. No.	Qty.	Cat. No.	Qty.	Description	Cat. No.	Replaces Cable	Order Qty.
◆ 1771-NIVR	1	1756-IR6I	1	RTD	1492-CONACAB020N4	B	1
		1756-IF6I	1	Voltage	1492-CONACAB020N7	A	1
◆ 1771-NIVR	1	1756-IR6I	1	RTD	1492-CONACAB020N4	B	1
		1756-IF6I	1	Current	1492-CONACAB020N3	A	1
♣ 1771-NIVT	1	1756-IT6I	1	Thermocouple	1492-CONACAB020N5	B	1
		1756-IF6I	1	Voltage	1492-CONACAB020N7	A	1
♣ 1771-NIVT	1	1756-IT6I	1	Thermocouple	1492-CONACAB020N5	B	1
		1756-IF6I	1	Current	1492-CONACAB020N3	A	1

★ To understand any issues concerning I/O module compatibility refer to the Installation Manuals for the specific I/O modules involved.

◆ Two conversions are possible using these two cables - (4 Voltage & 4 RTD) or (4 Current & 4 RTD)

♣ Two conversions are possible using these two cables - (4 Voltage & 4 Thermocouple) or (4 Current & 4 Thermocouple)

♣ These catalog numbers are for a 2.0M cable length. A 5.0M cable is also available. Change the 3 numerals in the middle of the catalog number from "020" to "050" (Example: Cat. No. 1492-CONACAB020N1 becomes Cat. No. 1492-CONACAB050N1).

Δ Only 2 cables can be used at one time. Each cable attaches to 1 of the 2 connectors on the existing RTP module. Each cable converts 4 of the Bul. 1771 channels to 4 of the 1756 channels. The other end of the cable attaches to 1 of the 2 new Bul. 1756 modules.