



# MARCUS

Marcus Transformer LTD  
 Phone: 1-800-267-7376  
 Fax: 1-866-205-7526  
 Email: Info@marcustransformer.com

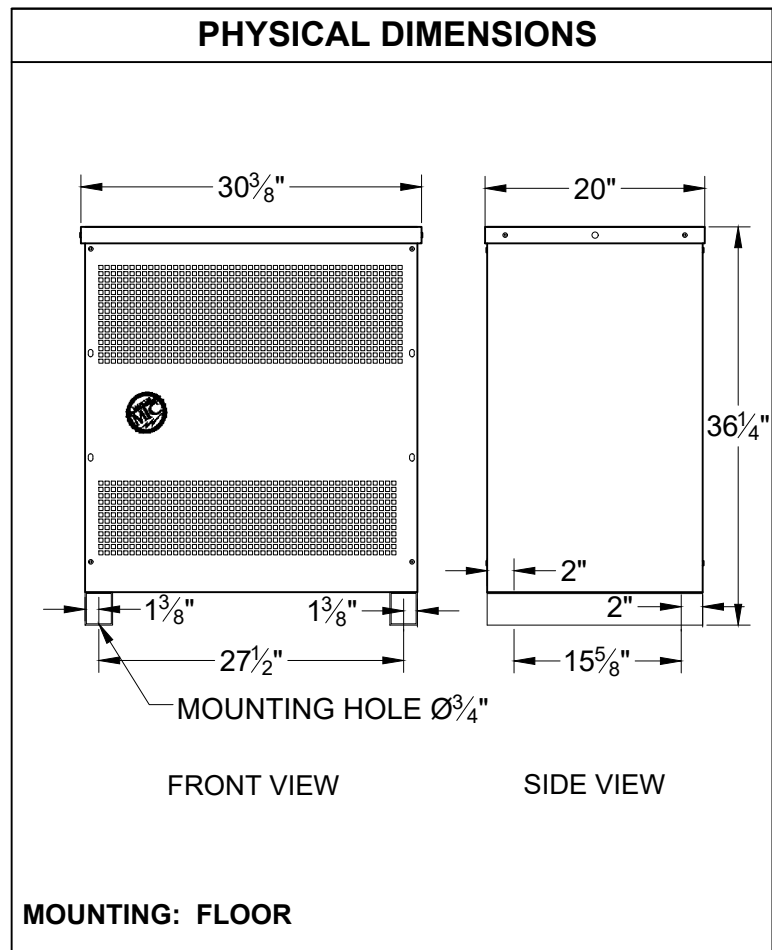
## TECHNICAL DATA MODEL:MTH 75A1 3-PHASE ISOLATING EFFICIENT TRANSFORMER

DESCRIPTION	
Type	DRY TYPE DISTRIBUTION (ANN)
KVA	75
Primary (Volts)	600
Secondary (Volts)	208Y / 120
Phase	3
Enclosure	NEMA 1
Impedance (%z)	4.0
Insulation Class	220°C
Temperature Rise	150°C
Frequency	60Hz
Weight (LBS/KG)	780 / 354
Connection	Dyn1(TT-1)
BIL.	10KV

PERFORMANCE	
No load loss	177W
Total loss	2066W
Noise level	50dB

EFFICIENCY			
			Efficiency = 98.60% (As per NRCAN 2019 and DOE 2016)

Primary connectors per phase : #6-2/0
Secondary connectors per phase: #6-250MCM



### FEATURES:

- Anti-vibration pads installed between the core/coil and the enclosure
- Ground lug provided
- Leads brought-up and solidly positioned into separate terminal boards
- CSA enclosure: ventilated painted ASA 61gray
- Transformer meets the premium efficiency values as per NRCAN 2019/DOE 2016
- Copper ground strap between core/coil and enclosure
- CSA certified
- Copper windings

Customer / PO	
Project	
Engineer	
Contractor	
Revision Date	

COMMENTS