



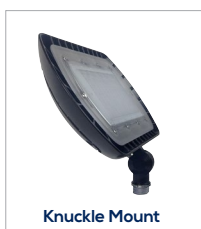
# ORA4-LED80

## LED WALL / FLOOD LIGHT



### SPECIFICATIONS\*

Watts	78W
Lumens	8827
Efficacy	113 lm/W
Replaces Up To	250W MH
Colour Temp	4,000K
Certification	cULus, DLC, IP65
Operating Temp	-40°C to +40°C
Voltage	120-277V, 347V in wall mount coming soon
LED Life	100,000 hours
Housing Material	Aluminum
Lens Material	Polycarbonate
Total Harmonic Distortion	20.36%
Power Factor	0.9743
Mounting Options	Yoke Mount, Knuckle Mount, Wall Mount



## DESCRIPTION

The ORA-LED is a fully adjustable multi-purpose fixture that replaces traditional wall packs or floods. The ORA features a sleek, elegant design with multiple mounting options.

## APPLICATIONS



Town Houses



Condos



Perimeter Lighting



Shopping Malls

## FEATURES

- Elegant, sleek design with a modern look.
- Fixture head may be aimed down for dark sky compliance, or aimed out as needed.
- Three mounting options available – knuckle, yoke and wall mount.

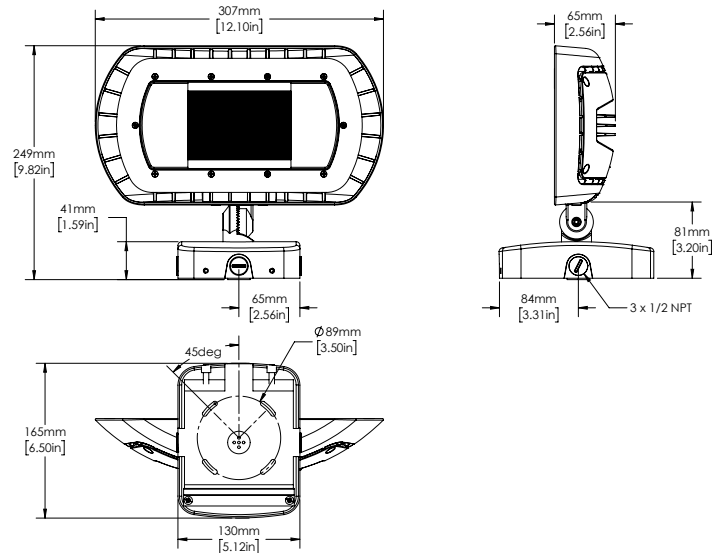
\*The above specs apply to the standard product configuration. For spec information on other product configurations please see page 3.

**NOTE:** Not all of our product configurations are qualified on the DLC QPL. To view all of our DLC qualified products please visit the DLC qualified products list at [www.designlights.org/qpl](http://www.designlights.org/qpl).

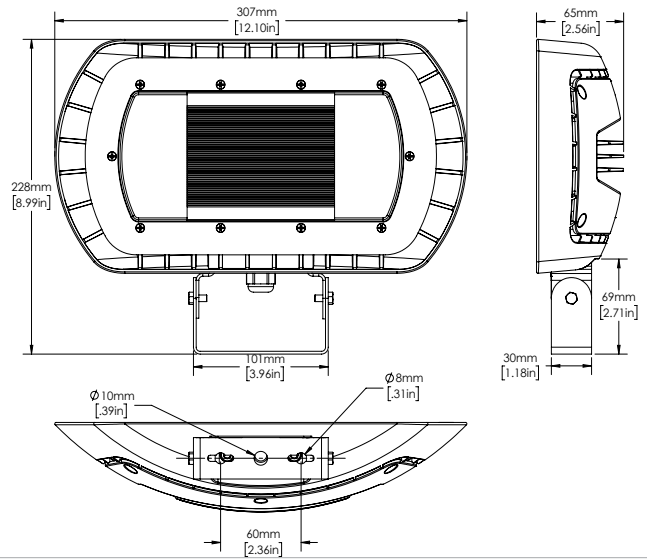
**DIMENSIONS**



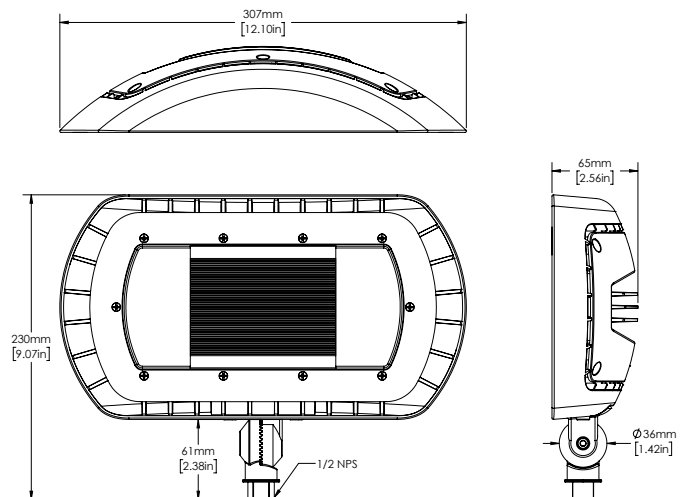
**Wall Mount**



**Yoke Mount**



**Knuckle Mount**



## SPECIFICATIONS

SPECIFICATIONS	VOLTAGE(V)	INPUT POWER (W)	LIGHT OUTPUT	EFFICACY (Lm/W)	THD (%)	PF
ORA4-LED80-B-4K-XXX-XX	120-277	77.9	8827.1	113.31	20.36	0.9743

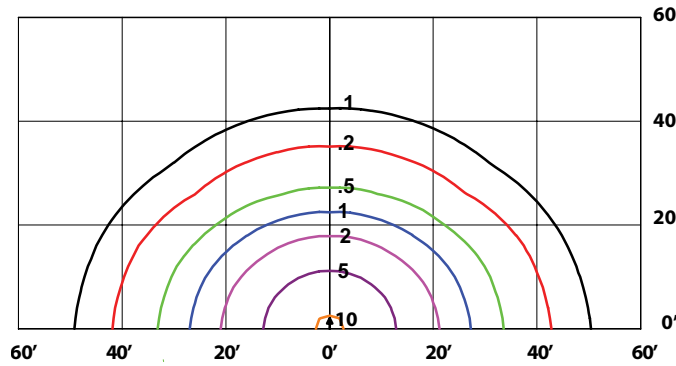
DLC listed as Outdoor Full-Cutoff Wall-Mounted Area Luminaire and as Architectural Flood and Spot Luminaires

**Legend**

- B - 120-277V
- 4K - 4000K
- XXX- Finish
- XX- Mounting

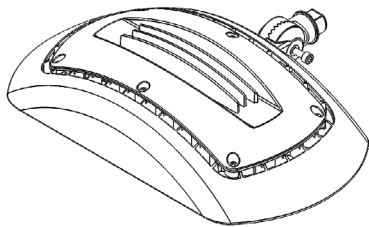
## PHOTOMETRICS

ORA4-LED80 4K MOUNTED AT 20 FEET - WALL MOUNT ORIENTATION



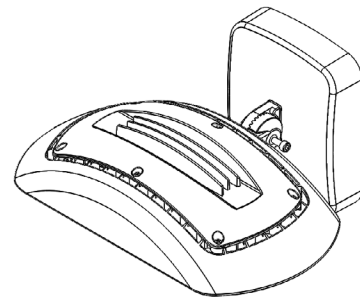
## ARCHITECTURAL WALL MOUNT

For architectural wall mount version order ORA knuckle mount with architectural backbox separately



**Step One**

Remove screw from knuckle mount



**Step Two**

Mount on bracket with wiring and tighten screw

## ORDERING GUIDE

<b>ORA4</b>						
<b>WATTS</b>	<b>VOLTAGE</b>	<b>COLOUR TEMP.</b>	<b>FINISH</b>	<b>MOUNTING</b>	<b>OPTIONS</b>	
LED80	B - 120 - 277V*	4K - 4000K*	BRZ - BRONZE*	KN-Knuckle YK - Yoke WMC -Wall Mount with 3 conduit entries	PC - Photocell	

\* Standard configuration

## FIELD INSTALLED ACCESSORIES

### CHECK THE ACCESSORIES YOU WISH TO ORDER:

Wall mount with 3 Conduit Entries Bronze

Architectural Wall Mount Bracket without conduit entries  
Bronze