

ELA-6V-12AH 6V 12Ah (.187)

General Application

ELA-6V-12AH is a general purpose battery with 3~5 years in standby service or more than 400 cycles at 50% depth of discharge in cycle service.

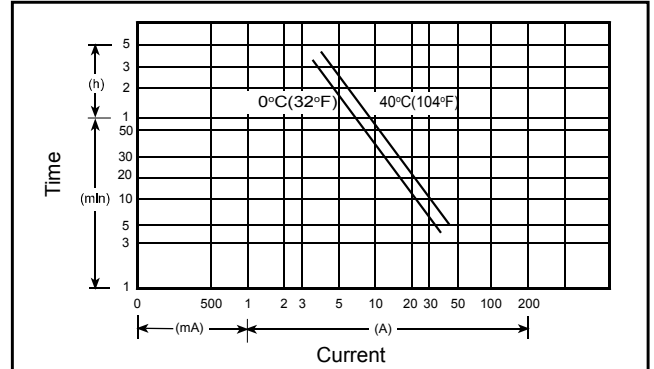
Specification

• NOMINAL VOLTAGE	: 6 V
• NOMINAL CAPACITY(20 hr)	: 12.0 Ah
• DIMENSIONS	
TOTAL HEIGHT	: 100 mm (3.94 inches)
CONTAINER HEIGHT	: 92.5 mm (3.64 inches)
LENGTH	: 151 mm (5.94 inches)
WIDTH	: 50 mm (1.97 inches)
• WEIGHT	: APPROX 2.09 Kg (4.61 lbs)
• CONTAINER MATERIAL	: UL94HB ABS
	: UL94V-0 ABS
• INTERNAL RESISTANCE(25°C , 77 °F)	: ~11 mΩ
• DISCHARGE CAPACITY UNDER DIFFERENT TEMPERATURES	
40°C	: ~102%
25°C	: ~100%
0 °C	: ~85%

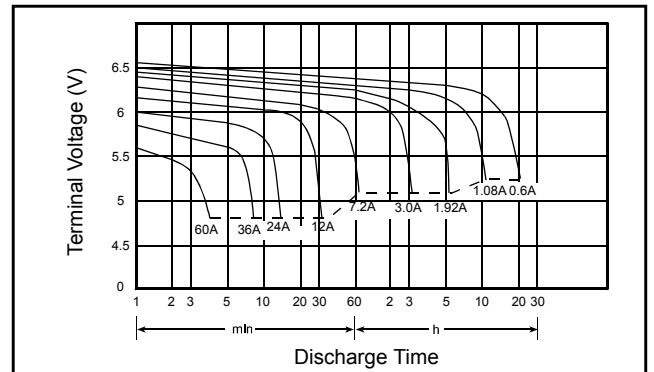
Characteristics

• CAPACITY 25 °C / 77 °F	
20 hr @ 0.6 A	: 12.0 Ah
5 hr @ 1.92 A	: 9.6 Ah
1 hr @ 7.2 A	: 7.2 Ah
1 C @ 12.0 A	: 6.0 Ah
• CHARGING VOLTAGE (25°C , 77 °F)	
STANDBY USE	: 6.825 V ± 0.075V
CYCLE USE	: 7.35V ± 0.15 V
• MAX DISCHARGE CURRENT	: 100 A (5 sec)
• MAX CHARGING CURRENT	: 3.6 A
• SELF-DISCHARGE RESIDUAL CAPACITY(25°C , 77 °F)	
AFTER 3 MONTHS	: ~90%
AFTER 6 MONTHS	: ~82%
AFTER 12 MONTHS	: ~70%

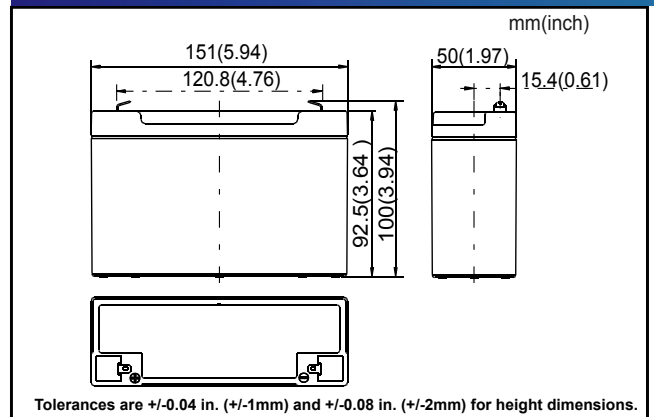
Discharge Current vs Time



Discharge Characteristics @25 °C (77 °F)



Dimensions



Terminal

