

LED wall light that is compact in design, has an easy installation feature and efficiency of over 100 lumens/watt.



APPLICATIONS

Ideal for building entrances and exits, offices, condominiums, and schools.

Project	
Type	
Date	
Notes	

SPECIFICATIONS

Construction

Die cast aluminum housing and backbox with stainless steel hardware. Fixture has a vandal-proof clear, polycarbonate lens. There are 3 conduit entries, one in the back and one on each side.

Mounting

The fixture can be wall mounted onto a junction box or directly on the wall.

LED Configuration

The GWL1-LED15 has a colour temperature of 5000K and delivers 1674 lumens at an efficiency of 111 lumens/watt. The fixture has a custom designed reflector for downward wide beam dispersion.

Electrical

Total system wattage of the unit is 15W. The standard unit has a high efficiency driver that operates at 120 - 277V. 347V available as an option.

Easy Installation

The unit is designed to hook and secure itself on top of the housing so installer can use both hands to connect wires easily. The backbox has a built-in level bubble to facilitate mounting alignment.

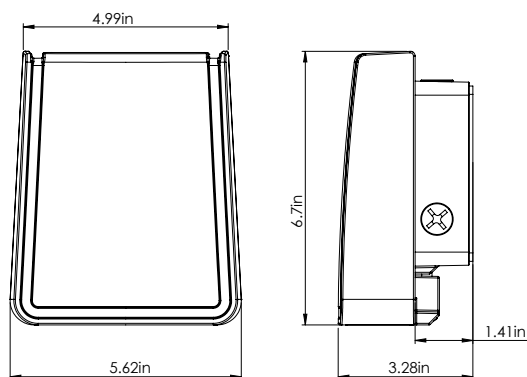
Finish

Available in a Bronze finish.

Fixture Watts	15W
Lumens	1674
Efficiency	111 lumens/watt
Equivalent to	up to 70W MH

# of conduit entries	3
Voltage	120-277V
Colour Temp	5000K
LED Life	100,000 hours
Warranty	5 Years
Working Temp	-40°C to +40°C
Certification	cULus, DLC, IP65

DIMENSIONS



INSTALLATION INFORMATION

1. Open fixture, mount back box to junction box



2. Hook fixture on top of the housing and easily connect wires using both hands



3. Unhook fixture from housing, flip over and reattach fixture to housing



4. Push fixture against housing and tighten screw(s) below lens



ORDERING GUIDE

GWL1	-	LED15	-		-		-	
				VOLTAGE		COLOR TEMP		FINISH
				B - 120 - 277V* C - 347V		5K - 5000K*		BRZ - BRONZE*

* Standard configuration