



ORA4-LED80

LED WALL / FLOOD LIGHT



SPECIFICATIONS*

Watts	78W
Lumens	8827
Efficacy	113 lm/W
Replaces Up To	250W MH
Colour Temp	4,000K
Certification	cULus, DLC, IP65
Operating Temp	-40°C to +40°C
Voltage	120-277V, 347V in wall mount coming soon
LED Life	100,000 hours
Housing Material	Aluminum
Lens Material	Polycarbonate
Total Harmonic Distortion	20.36%
Power Factor	0.9743
Mounting Options	Yoke Mount, Knuckle Mount, Wall Mount



DESCRIPTION

The ORA-LED is a fully adjustable multi-purpose fixture that replaces traditional wall packs or floods. The ORA features a sleek, elegant design with multiple mounting options.

APPLICATIONS



Town Houses



Condos



Perimeter Lighting



Shopping Malls

FEATURES

- Elegant, sleek design with a modern look.
- Fixture head may be aimed down for dark sky compliance, or aimed out as needed.
- Three mounting options available – knuckle, yoke and wall mount.

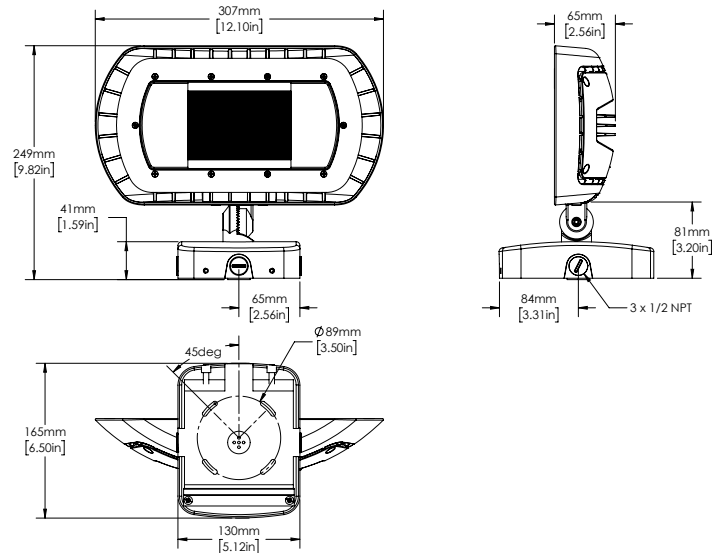
*The above specs apply to the standard product configuration. For spec information on other product configurations please see page 3.

NOTE: Not all of our product configurations are qualified on the DLC QPL. To view all of our DLC qualified products please visit the DLC qualified products list at www.designlights.org/qpl.

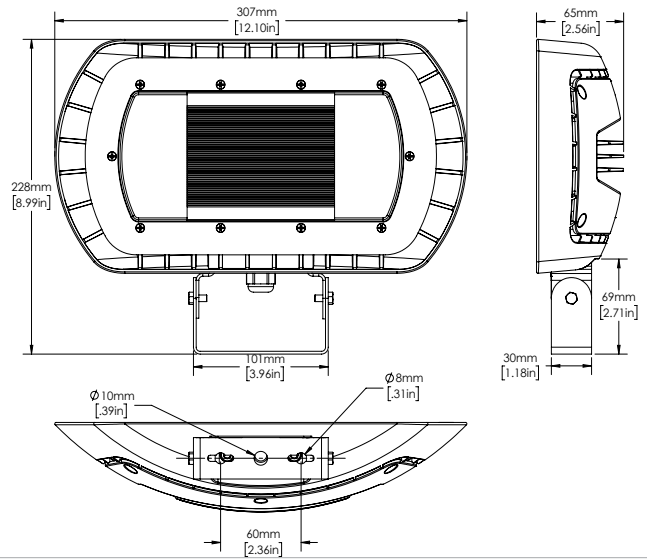
DIMENSIONS



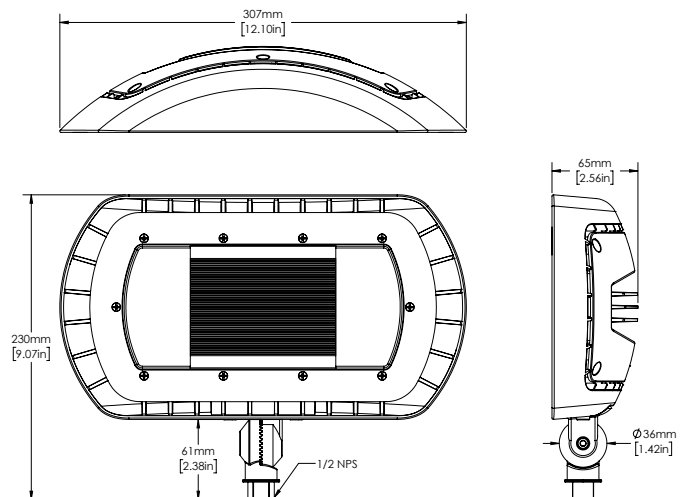
Wall Mount



Yoke Mount



Knuckle Mount



ORDERING GUIDE

ORA4						
	WATTS	VOLTAGE	COLOUR TEMP.	FINISH	MOUNTING	OPTIONS
	LED80	B - 120 - 277V*	4K - 4000K*	BRZ - BRONZE*	KN-Knuckle YK - Yoke WMC -Wall Mount with 3 conduit entries	PC - Photocell

* Standard configuration

FIELD INSTALLED ACCESSORIES

CHECK THE ACCESSORIES YOU WISH TO ORDER:

Wall mount with 3 Conduit Entries Bronze

Architectural Wall Mount Bracket without conduit entries
Bronze